



LOFMEM™ N absolute rated membrane filter cartridges

Eaton's LOFMEM N membrane filter cartridges have superior chemical compatibility making them the preferred choice for high purity water filtration, organic solvents and aqueous co-solvent systems and other water and process applications.

LOFMEM N membrane filter cartridges uses absolute rated Nylon 6.6 membrane that is inherently hydrophilic and has excellent chemical resistance. LOFMEM N is manufactured without the use of glues, adhesives or wetting agents, ensuring high purity in every application.

Features and benefits

- Hydrophilic Nylon 6.6 membrane
- Superior chemical resistance
- Absolute rated filtration
- All-thermal bonded construction, no adhesives
- No wetting agents

Specifications

Filter material
Hydrophilic Nylon 6.6 membrane

Inner core, cage, end caps
Polypropylene

Support layer
Polypropylene

Gaskets/O-rings
Silicone (standard), EPDM, FKM, FEP/FKM (O-rings only)

Retention ratings
0.20, 0.45, 1 µm

Technical data

Nominal lengths
10", 20", 30", 40"
(254, 508, 762, 1016 mm)

Outside diameter
2.7" (69 mm)

Inside diameter
1.1" (28 mm)

Surface area
5.9 ft² (0.55 m²) per 10" element

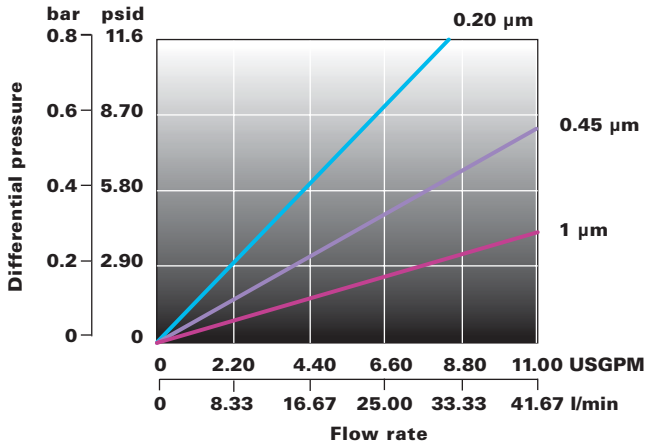
Max. operating temperature
176 °F (80 °C)

Max. differential pressure
58 psid @ 70 °F (4.0 bar @ 21 °C)

LOFMEM N membrane filter cartridges

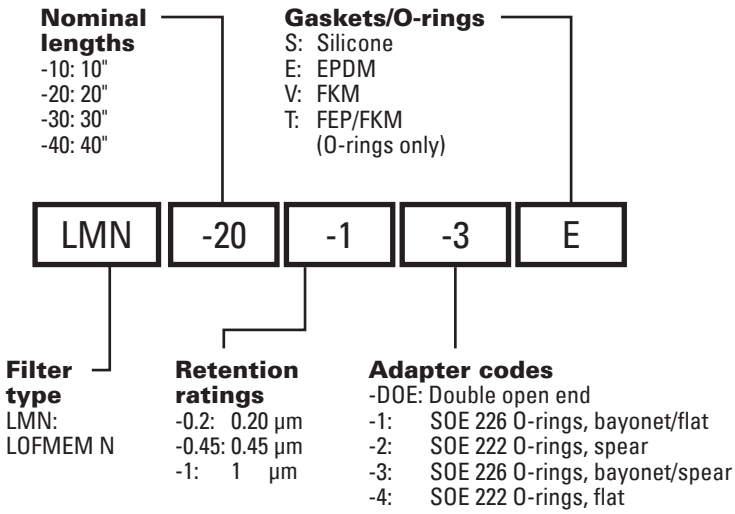
Flow rate*

(70°F/21 °C per 10" element for water)



* For liquids other than water, multiply pressure drop by fluid viscosity in centipoise.

Ordering code



For more information:

WEB: FLTR.com.au PHONE: (+61) 1300 62 4020 EMAIL: info@FLTR.com.au SKYPE: Purple.Engineering

