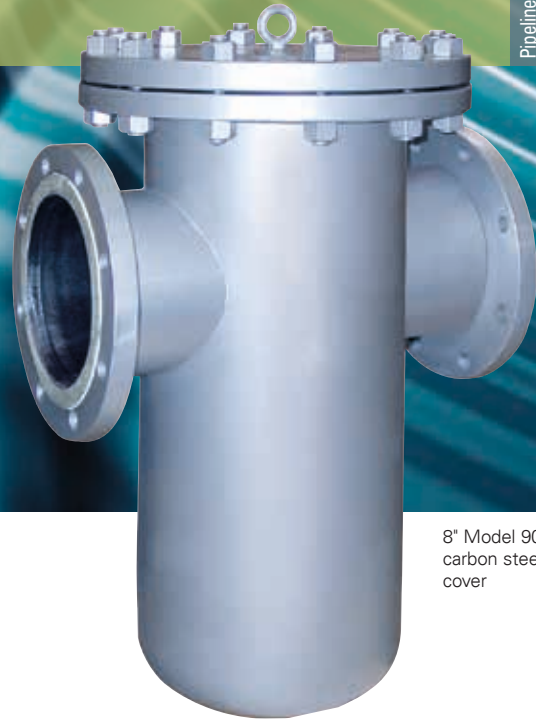


Model 90



8" Model 90 strainer, carbon steel with bolted cover

- Carbon steel or stainless steel*
- Sizes 1" to 48"
- Flanged ANSI class 150 or 300

Features

- Straight through flow design
- Low pressure loss
- Slant top basket design
- Basket perforations from 1/32" to 1"
- 20 to 400 mesh linings for fine straining applications

Options

- ANSI Class 600, 900, 1500 or DIN EN flanges
- European standards - DIN/PED available
- Hinged cover or davit assembly for easier maintenance
- Alloy construction for body and baskets
- RTJ-style connections
- Vent valves
- Drain valves
- Gauge taps
- Backflushing system for manual or automated cleaning
- Pressure differential gauge and switches
- Steam jacket for highly viscous fluids
- Rotated or offset nozzle placement
- High pressure capabilities
- Construction according to "AD 2000-Merkblätter", DIN EN 13445 or ASME Code
- Brazilian NR-13 available
- Coatings and linings available upon request

* Stainless steel strainers include painted carbon steel, external, non-wetted fasteners as standard

Customize to improve performance and meet higher pressure requirements

A slant top design improves the flow through the strainer and results in significantly lower pressure drops. This design also results in a more compact basket that weighs less than an ordinary basket. This makes it possible for one person to remove it from the strainer housing, when it comes time to clean or changeout the basket.

Common modifications

- Rotated inlet and outlet nozzles to eliminate an elbow in the downstream piping
- Lowering or raising either the inlet or the outlet nozzle, this eliminates serious alignment and support problems

Cover type openings

For applications with infrequent basket changing, Eaton offers a simple, cost-effective, bolted cover type. It's available with a davit assembly cover for larger strainers with heavy covers, this makes it possible for a one-person operation.

For applications with more frequent changing, Eaton offers a hinged, quick opening cover secured by swing bolts. This is adaptable for higher pressure applications. For

medium size strainers, 8" to 16," a davit assembly bolted cover is available. This permits one operator to engage the hinge and open the cover.

Backflush/backwash option

In systems with heavy, well-defined solids and sediment, this option backflushes the system without shutting the system down. A piping connection with an on/off backflush valve is fabricated at the strainer bottom and has a connection to the bottom of the strainer basket. When solids accumulate in the bottom of the basket, the backflush valve opens and the differential between the operating pressure and the backflush system removes the solids. The second step, backwashing, reverses the flow and removes residual dirt.

Optional steam jacketing

Available in carbon steel or stainless steel rated for service up to 232 °C. This is ideal for the high temperatures required to process and transport heavy, viscous fluids without affecting the function or normal maintenance of the strainer. Steam jacketing maintains critical fluid temperature throughout the strainer.

Design and fabrication to "AD 2000-Merkblätter", DIN EN 13445 or ASME Code and ANSI B31.1 are available.

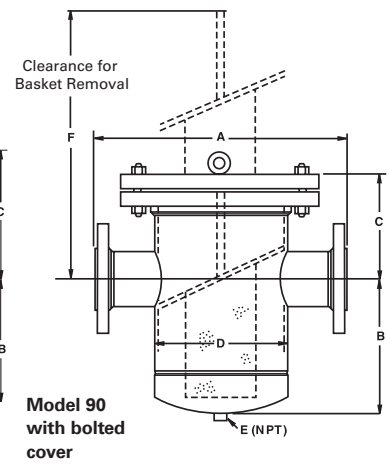
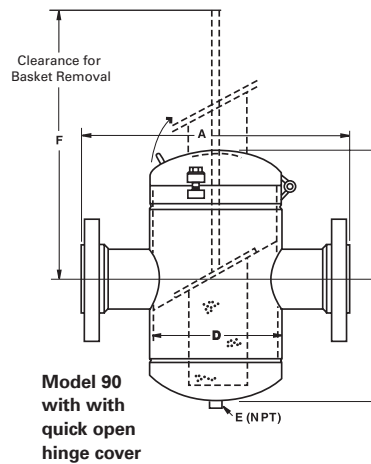
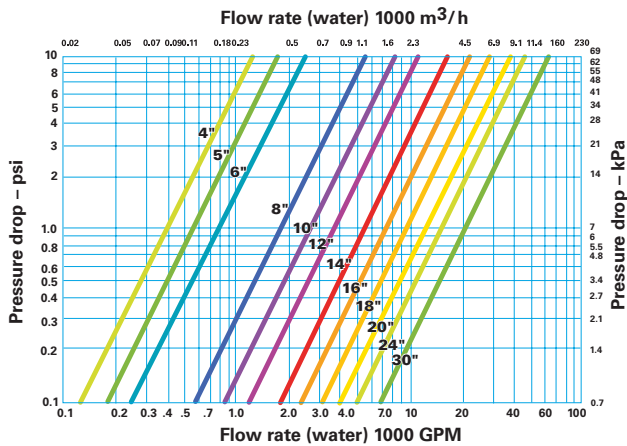
Model 90 Fabricated Simplex Strainer

Model 90 with quick open hinge cover

Nom size	Dimensions (in / mm)							Weight (kg)			
	Class 150 A	Class 300 A	B	Class 150/300 C	D	E	F	Cover	Class 150 Unit	Cover	Class 300 Unit
2	14 / 356	14 / 356	12 / 305	8 5/8 / 219	6 5/8 / 168	1/2	26 / 660	2.7	32	2.7	41
3	15 / 381	15 / 381	12 1/2 / 318	8 5/8 / 219	6 5/8 / 168	1/2	26 / 660	2.7	33	2.7	48
4	16 / 406	16 / 406	14 / 356	9 1/2 / 241	8 5/8 / 219	1	21 / 533	4.1	55	4.1	72
5	16 / 406	17 1/2 / 445	15 / 381	11 1/4 / 286	10 3/4 / 273	1	22 / 559	4.1	58	4.1	80
6	20 / 508	21 / 533	17 / 432	11 1/4 / 286	10 3/4 / 273	1	24 / 610	5.4	76	5.4	107
8	22 / 559	23 / 584	21 / 533	13 / 330	12 3/4 / 324	1 1/2	28 / 711	6.8	103	6.8	126
10	32 / 813	33 / 838	25 / 635	15 3/4 / 400	16 / 406	1 1/2	33 / 838	14	163	14	219
12	35 / 889	36 / 914	28 / 711	17 3/4 / 451	18 / 457	1 1/2	39 / 991	17	243	17	333
14	37 / 940	38 / 965	33 / 838	19 3/4 / 502	20 / 508	2	45 / 1143	21	365	21	467
16	42 / 1067	43 / 1092	36 / 914	23 1/4 / 591	24 / 610	2	49 / 1245	31	539	31	652
18	42 / 1067	43 / 1092	39 / 991	23 1/4 / 591	24 / 610	2	53 / 1346	31	1569	31	704
20	43 / 1092	44 1/2 / 1130	44 / 1118	27 3/4 / 705	30 / 762	2	59 / 1499	32	600	32	751
24	48 / 1219	49 3/4 / 1264	60 / 1524	27 3/4 / 705	30 / 762	2	78 / 1981	40	844	40	1063

Model 90 with bolted cover

Nom-size	Dimensions (in / mm)							Weight (kg)				
	Class 150 A	Class 300 A	B	Class 150 C	Class 300 C	D	E	F	Cover	Class 150 Unit	Cover	Class 300 Unit
2	14 / 356	14 / 356	12 / 305	7 / 178	9 / 229	6 5/8 / 168	1/2	23 / 584	13	50	23	73
3	15 / 381	15 / 381	12 1/2 / 318	8 / 203	9 / 229	6 5/8 / 168	1/2	24 / 610	13	54	23	79
4	16 / 406	16 / 406	14 / 356	8 1/4 / 210	9 1/2 / 241	8 5/8 / 219	1	21 / 533	20	67	37	99
5	16 / 406	17 1/2 / 445	15 / 381	9 1/2 / 241	11 / 279	10 3/4 / 273	1	22 / 559	20	69	37	108
6	20 / 508	21 / 533	17 / 432	9 1/2 / 241	11 / 279	10 3/4 / 273	1	24 / 610	32	92	58	149
8	22 / 559	23 / 584	21 / 533	11 / 279	12 1/2 / 318	12 3/4 / 324	1 1/2	28 / 711	50	127	83	185
10	32 / 813	33 / 838	25 / 635	13 / 330	14 1/2 / 368	16 / 406	1 1/2	33 / 838	77	204	139	322
12	35 / 889	36 / 914	28 / 711	14 1/2 / 368	16 / 406	18 / 457	1 1/2	39 / 991	95	292	177	464
14	37 / 940	38 / 965	33 / 838	15 3/4 / 400	17 1/2 / 445	20 / 508	2	45 / 1143	123	431	223	634
16	42 / 1067	43 / 1092	36 / 914	18 1/4 / 464	20 / 508	24 / 610	2	49 / 1245	186	639	342	912
18	42 / 1067	43 / 1092	39 / 991	18 1/4 / 464	20 / 508	24 / 610	2	53 / 1346	186	674	342	965
20	43 / 1092	44 1/2 / 1130	44 / 1118	21 3/4 / 552	24 / 610	30 / 762	2	59 / 1499	186	704	342	1012
24	48 / 1219	49 3/4 / 1264	60 / 1524	21 3/4 / 552	24 / 610	30 / 762	2	78 / 1981	309	1039	636	1586



For more information:

WEB: FLTR.com.au PHONE: (+61) 1300 62 4020 EMAIL: info@FLTR.com.au SKYPE: Purple.Engineering