

Gas/Liquid Separators

Type DTL

Dry Type

- For High Solid Loading Applications
- Sizes from 2" to 16"

FEATURES

- Removes 99% of Liquid and Solid Entrainment Particles Larger Than 10 Microns
- No Required Maintenance
- Low Pressure Drop
- Flanged Drain
- Fabricated Carbon or Stainless Steel Construction

OPTIONS

- Larger Sizes
- Code Stamp

Eaton's Dry Type Gas/Liquid Separators are designed for applications with higher than normal loads of entrained solids. In order to handle the large amount of solids, these separators feature a cone-shaped sump that does a better job of collecting removed solids at the drain port. The separated material must be removed before it fills the sump area. Since automatic drain traps are not suitable for handling solid materials, the use of a rotary valve is recommended for this purpose. This allows the solid material to be removed while releasing a minimum amount of air, gas, or steam from the system.

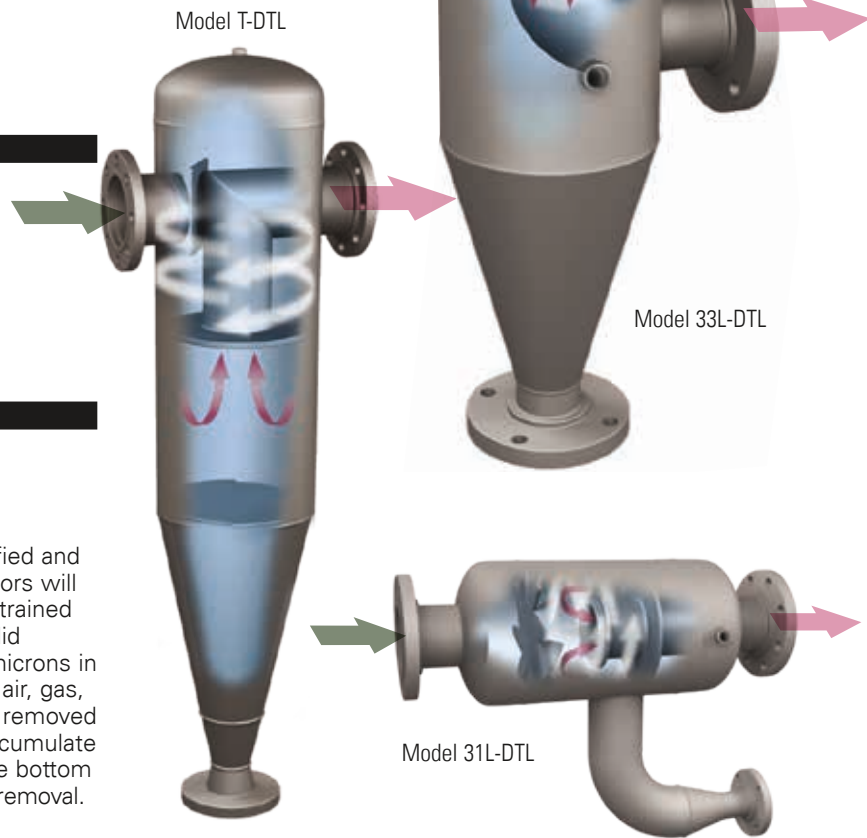
When correctly specified and installed, DTL separators will remove 99% of all entrained liquid droplets and solid particles that are 10 microns in size or larger from an air, gas, or steam stream. The removed particles and liquid accumulate at the drain port at the bottom of the drain sump for removal.

Centrifugal Action

The Type DTL separators cause the gas stream to enter a controlled centrifugal flow, which forces any entrained liquids and solids to the outer wall. The exclusive Eaton Vortex Containment Plate (VCP) system shields these

separated particles and liquid droplets from the vortex action within the separator and directs them toward the drain sump. The exit stream is drawn from the clean, dry center of the separator. The VCP prevents re-entrainment of the removed liquids and solids and assures a clean, dry gas stream at the separator outlet.

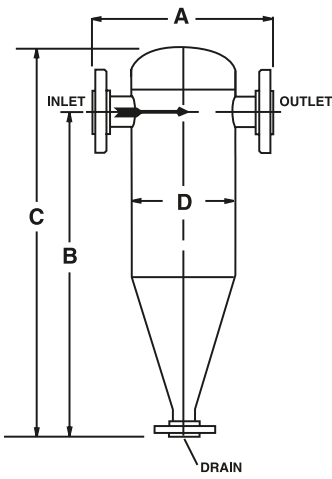
Type DTL Separators are available in three different configurations. The Type T-DTL has a straight-through flow connection, the 33L-DTL has a vertical downflow inlet and a horizontal outlet, and the 31L-DTL is a compact, straight-through flow design.



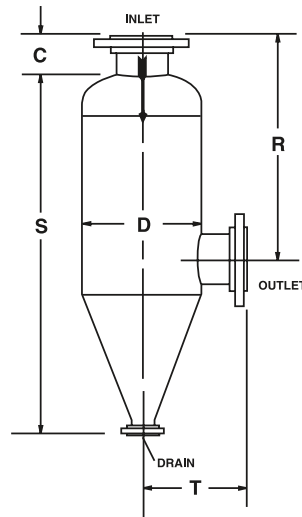
For more information:

WEB: FLTR.com.au PHONE: (+61) 1300 62 4020 EMAIL: info@FLTR.com.au SKYPE: Purple.Engineering

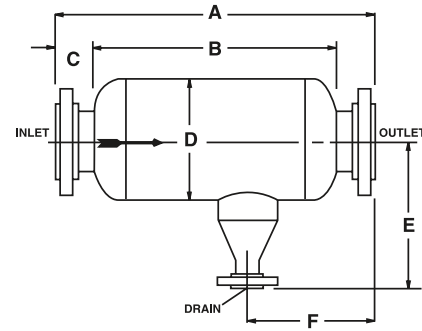
Type DTL Dry Type Gas/Liquid Separators



Model T-DTL



Model 33L-DTL



Model 31L-DTL

Dimensions: Type DTL Dry Type Gas/Liquid Separators (in/mm)

| Pipe Size | A | B | C | D | Drain Flanged NPT |
|-----------|-------------|-------------|-------------|--------------|-------------------|
| 2 | 11.5 292 | 36 914 | 42 1067 | 6.62 168 | 2 |
| 2-1/2 | 16 406 | 37 940 | 43 1092 | 8.62 219 | 2 |
| 3 | 18 457 | 42 1067 | 50 1270 | 10.75 273 | 2-1/2 |
| 4 | 20 508 | 46 1168 | 55 1397 | 12.75 324 | 3 |
| 5 | 22 559 | 50 1270 | 60 1524 | 14 356 | 4 |
| 6 | 24 610 | 66 1676 | 77 1956 | 16 406 | 4 |
| 8 | 28 711 | 74 1880 | 87 2210 | 18 457 | 5 |
| 10 | 33 838 | 102 2591 | 117 2972 | 24 610 | 5 |
| 12 | 38 965 | 114 2896 | 131 3327 | 28 711 | 5 |
| 14 | 42 1067 | 118 2997 | 138 3505 | 32 813 | 8 |
| 16 | 47 1194 | 133 3378 | 154 3912 | 36 914 | 8 |

| Pipe Size | C | D | R | S | T | Drain Flanged NPT |
|-----------|----------|--------------|------------|--------------|-----------|-------------------|
| 2 | 3 76 | 6.62 168 | 14 356 | 26 660 | 7 178 | 2 |
| 2-1/2 | 3 76 | 6.62 168 | 14 356 | 26.5 673 | 7 178 | 2 |
| 3 | 3 76 | 8.62 219 | 16 406 | 30 762 | 8 203 | 2-1/2 |
| 4 | 4 102 | 10.75 273 | 20 508 | 35 889 | 10 254 | 2-1/2 |
| 5 | 4 102 | 12.75 324 | 24 610 | 42 1067 | 11 279 | 3 |
| 6 | 4 102 | 14 356 | 27 686 | 52.5 1333 | 12 305 | 3 |
| 8 | 5 127 | 16 406 | 33 838 | 61 1549 | 13 330 | 4 |
| 10 | 5 127 | 20 508 | 40 1016 | 82 2083 | 15 381 | 4 |
| 12 | 5 127 | 24 610 | 46 1168 | 98 2489 | 17 432 | 5 |
| 14 | 5 127 | 28 711 | 52 1321 | 117 2972 | 19 483 | 8 |
| 16 | 5 127 | 30 762 | 59 1499 | 126 3200 | 20 508 | 8 |

| Pipe Size | A | B | C | D | E | F | Drain Flanged NPT |
|-----------|------------|------------|----------|--------------|------------|-------------|-------------------|
| 2 | 22 559 | 16 406 | 3 76 | 6.62 168 | 16 406 | 11 279 | 2 |
| 2-1/2 | 22 559 | 16 406 | 3 76 | 6.62 168 | 16 406 | 11 279 | 2 |
| 3 | 24 610 | 18 457 | 3 76 | 8.62 219 | 17 432 | 11 279 | 2-1/2 |
| 4 | 30 762 | 22 559 | 4 102 | 10.75 273 | 19 483 | 13.5 343 | 2-1/2 |
| 5 | 34 864 | 26 660 | 4 102 | 12.75 324 | 21 533 | 14 356 | 3 |
| 6 | 36 914 | 28 711 | 4 102 | 14 356 | 22 559 | 14 356 | 3 |
| 8 | 46 1168 | 36 914 | 5 127 | 16 406 | 23 584 | 19 483 | 4 |
| 10 | 52 1321 | 42 1067 | 5 127 | 20 508 | 26 660 | 20.5 521 | 4 |
| 12 | 60 1524 | 50 1270 | 5 127 | 24 610 | 29 737 | 23.5 597 | 5 |
| 14 | 66 1676 | 56 1422 | 5 127 | 28 711 | 35 889 | 25 635 | 8 |
| 16 | 74 1880 | 64 1626 | 5 127 | 30 762 | 44 1118 | 28 711 | 8 |

For more information:

WEB: FLTR.com.au PHONE: (+61) 1300 62 4020 EMAIL: info@FLTR.com.au SKYPE: Purple.Engineering