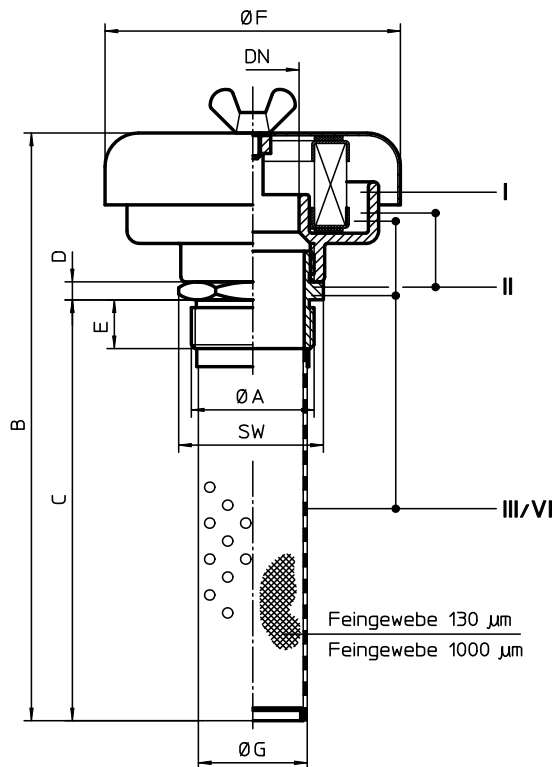


BREATHER FILTER

Series NBF 25-85, BF-WP 45-90

Sheet No
6000 T



1. Type index:

1.1. Complete filter: (ordering example)

NBF. 25. 3VL. P. G. 5. III. -

1	2	3	4	5	6	7	8
---	---	---	---	---	---	---	---

- 1 | **series:**
NBF = breather filter
- 2 | **nominal size:** 25, 40, 55, 85
- 3 | **filter-material and filter-fineness:**
10 P = 10 µm paper
3 VL = filtration efficiency D 100 = 3
- 4 | **sealing material:**
P = Nitrile (NBR)
V = Viton (FPM), only for 3VL
- 5 | **connection:**
G = thread connection
- 6 | **connection size:**
5 = G1
7 = G 1 ½
8 = G2
A = G3
- 7 | **execution:**
I = only breather cap
II = breather cap and thread double nipple
III = complete as shown with a filler filter 130 µm
VI = complete as shown with a filler filter 1000 µm
- 8 | **tank weld coupling:**
- = without

1.2. Filter element: (ordering example)

01NBF. 25-40. 3VL. P

1	2	3	4
---	---	---	---

filter element for NBF 25-40

01NBF. 55-85. 3VL. P

1	2	3	4
---	---	---	---

filter element for NBF 55-85

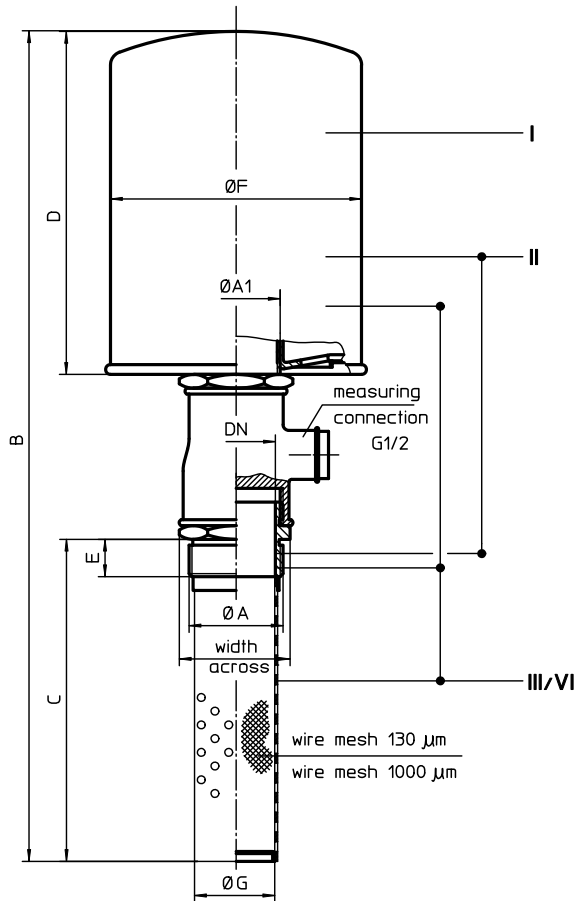
- 1 | **series:**
01NBF = breather filter element
- 2 | **nominal size:** 25-40, 55-85
- 3 | - 4 | see type index-complete filter

2. Technical data:

type	air flow in l/min, Δp approx. 10 mbar	
	3VL	10P
NBF 25	450	
NBF 40	1150	
NBF 55	1800	
NBF 85	3500	

3. Dimensions:

type	DN	width across	A	B	C	D	E	F	G	weight kg
NBF 25	25	41	G 1	186	120	6	18	115	28	0,8
NBF 40	40	55	G 1 ½	232	165	7	19	115	42	1,2
NBF 55	50	70	G 2	332	230	7	24	190	54	2,5
NBF 85	80	100	G 3	369	265	9	29	190	82	2,5



Spin on-vent filter

1. Type index:

1.1. Complete filter: (ordering example)

BF-WP. 90. 10P. P. G. 7. III. -							
1	2	3	4	5	6	7	8

- 1 | **series:**
BF-WP = spin on - vent filter
- 2 | **nominal size:** 45, 90
- 3 | **filter-material and filter-fineness:**
10 P = 10 µm paper
10VG = 10 µm_(c) microglass
- 4 | **sealing material:**
P = Nitrile (NBR)
- 5 | **connection:**
G = thread connection
- 6 | **connection size:**
5 = G1
7 = G 1 ½
- 7 | **execution:**
I = only breather cap
II = breather cap and thread double nipple
III = complete as shown with a filler filter 130 µm
VI = complete as shown with a filler filter 1000 µm
- 8 | **tank weld coupling:**
- = without

1.2. Filter element: (ordering example)

WP. 90. 10P. P			
1	2	3	4

- 1 | **series:**
WP = Spin on cartridge
- 2 | **nominal size:** 45, 90
- 3 | - 4 | see type index-complete filter

2. Technical data:

Typ	air flow in l/min, Δp approx. 10 mbar	
	10P	10VG
BF-WP 45	400	64
BF-WP 90	750	140

3. Dimensions:

type	DN	width across	A	A1	B	C	D	E	F	G	weight kg
BF-WP 45	25	41	G 1	G ¾	335	120	145	18	92	28	0,8
BF-WP 90	40	55	G 1 ½	G 1 ¼	410	165	175	20	128	42	1,0

E 6000 T