

Stainless Steel Bag Filter Housings

Stainless Steel Bag Filter Housings are recommended as economic entry models for commercial and general filtration processes with the features of light-weight and low pressure drop. The clamp closure and threaded coupling make closure quick and easy. Height of the housing is adjustable by the design of mounting-legs module. Constructed by 100% stainless steel, the housings offer superior corrosion resistance for a wide range of applications while staying in consistent filtration performance.



Applications

Inks & Polymers Filtration, Paints & Lacquer Filtration, Chemicals, Petrochemicals, Electronics, Waste Water Treatment, Food & Beverage, Pharmaceuticals, Pre RO/DI

Operation Data

Maximum Operating Temperature : 75°C (167°F) (Base on selection of filter element and O-ring material.)

Maximum Operating Pressure : 7 bar at 75°C (100 psi at 167°F)

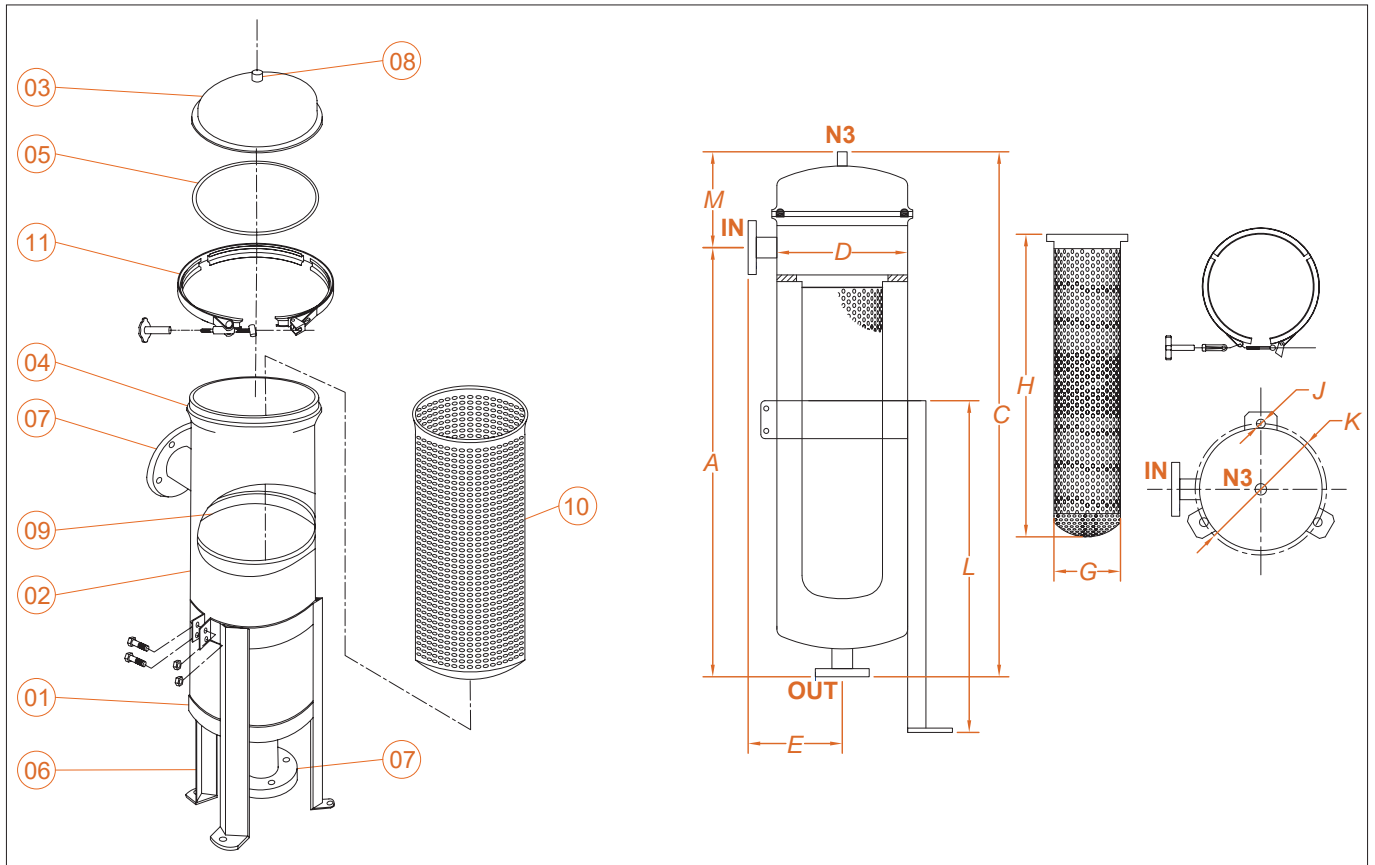
Ordering Information

Type	Bag Size	Material of Construction	Number of Bag	Connection	Inlet/Outlet Size (inch)	O-ring Option	Option
UFB Bag Filter Housing	01 - Size 1	4 - SUS304	1 - 1 pce	P-PTF	06-3/4"	E -EPDM S-Silicone V -Viton W -Teflon encapsulated Viton	P -All Polish IP -Inside Polish OP -Outside Polish Q -Painting
	02 - Size 2	6 - SUS316		N-NPTF	10-1"		
	03 - Size 3	7 - SUS316L		B-BSPF	15-1.5"		
	04 - Size 4			J -JIS Flange	20-2"		
				A -ANSI Flange	25-2.5"		
		D -DIN Flange	30-3"				
				C -Sanitary Clamp	40-4"		
UFB Bag Filter Housing	02 Size 2	6 SUS316	1 pce	J JIS Flange	20 2"	E EPDM O-ring	

For more information:

WEB: FLTR.com.au PHONE: (+61) 1300 62 4020 EMAIL: info@FLTR.com.au SKYPE: Purple.Engineering

Stainless Steel Bag Filter Housings



Components

No.	Description	Qty
01	End Plate	1
02	Shell	1
03	Top Cover	1
04	Flange	1
05	O-ring	1
06	Mounting-legs Module	1
07	Port (Inlet / Outlet)	2
08	Vent	1
09	Filter Bag Plate	1
10	Basket	1
11	Clamp	1

Dimensions

Model	A	C	ØD	E	ØG	H	ØJ	ØK	L	M	N3	Flow Rate	G .Weight	Volume
UFB01	550	740	232	176	172	350	10	323	520	190	1/4"	0~ 90 GPM / 0~20 m ³ /hr	21kg	27L
UFB02	1005	1195	232	176	172	730	10	323	520	190	1/4"	0~200 GPM / 0~45 m ³ /hr	26kg	46L
UFB03	360	538	180	150	98	200	10	252	350	178	1/4"	0~ 20 GPM / 0~4.5 m ³ /hr	14kg	11L
UFB04	495	673	180	150	98	310	10	252	350	178	1/4"	0~ 45 GPM / 0~10 m ³ /hr	15KG	14L

UNIT : mm

Customized housings are available on requests.

Actual flow rates will be determined on element selection and fluid viscosity.

For more information:

WEB: FLTR.com.au PHONE: (+61) 1300 62 4020 EMAIL: info@FLTR.com.au SKYPE: Purple.Engineering