



## Stainless Steel High Pressure Bag Filter Housings

Stainless Steel High Pressure Bag Filter Housings are manufactured by heavy-duty stainless steel with advantages of superior chemical resistance and high pressure endurance. Height of the housing is adjustable by the design of mounting- legs module, offering flexible and adaptable installation. Symmetric swing bolts sitting around the top cover provide convenient top cover removal, better sealing performance and enhanced safety.



### Applications

Inks & Polymers Filtration, Paints & Lacquer Filtration, Chemicals, Petrochemicals, Electronics, Waste Water Treatment, Food & Beverage, Pharmaceuticals, Pre RO

### Operation Data

Maximum Operating Temperature : 75°C (167°F) (Base on selection of filter element and O-ring material.)  
Maximum Operating Pressure : 10 bar at 75°C (150 psi at 167°F)

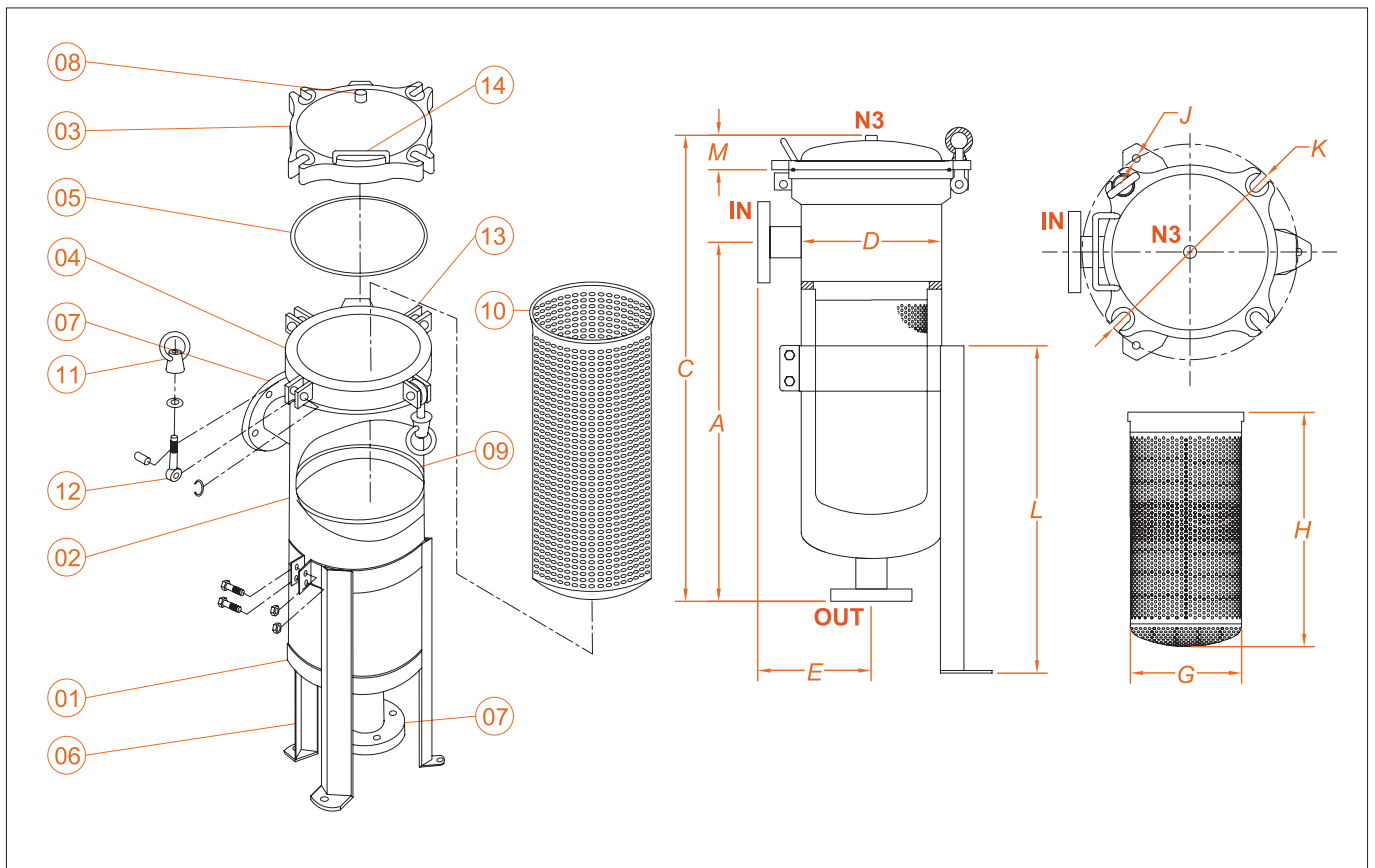
### Ordering Information

Type	Bag Size	Material of Construction	Number of Bag	Connection	Inlet/Outlet Size (inch)	O-ring Option	Option
<b>UFBG</b> High Pressure Bag Filter Housing	<b>01</b> - Size 1	4 - SUS304	1 - 1 pce	<b>P</b> -PTF	<b>06</b> -3/4"	<b>E</b> -EPDM S-Silicone V -Viton W -Teflon encapsulated Viton	<b>P</b> -All Polish <b>IP</b> -Inside Polish <b>OP</b> -Outside Polish <b>Q</b> -Painting
	<b>02</b> - Size 2	6 - SUS316		<b>N</b> -NPTF	<b>10</b> -1"		
	<b>03</b> - Size 3	7 - SUS316L		<b>B</b> -BSPF	<b>15</b> -1.5"		
	<b>04</b> - Size 4			<b>J</b> -JIS Flange	<b>20</b> -2"		
				<b>A</b> -ANSI Flange	<b>25</b> -2.5"		
				<b>D</b> -DIN Flange	<b>30</b> -3"		
				<b>C</b> -Sanitary Clamp	<b>40</b> -4"		
<b>UFBG</b> High Pressure Bag Filter Housing	<b>02</b> Size 2	<b>6</b> SUS316	<b>1</b> 1 pce	<b>J</b> JIS Flange	<b>20</b> 2"	<b>E</b> EPDM O-ring	

For more information:

WEB: FLTR.com.au PHONE: (+61) 1300 62 4020 EMAIL: info@FLTR.com.au SKYPE: Purple.Engineering

# Stainless Steel High Pressure Bag Filter Housings



## Components

No.	Description	Qty	No.	Description	Qty
01	End Plate	1	08	Vent	1
02	Shell	1	09	Filter Bag Plate	1
03	Top Cover	1	10	Basket	1
04	Flange	1	11	Eye Nut	3, 4
05	O-ring	1	12	Eye Bolt	3, 4
06	Mounting-legs Module	1	13	Eye Bolt Socket	3, 4
07	Port ( Inlet / Outlet )	2	14	Handle	1

## Dimensions

Model	A	C	ØD	E	ØG	H	ØJ	ØK	L	M	N3	Flow Rate	G. Weight	Volume
UFBG01	550	740	216	168	172	350	10	332	504	65	1/4"	0~ 90 GPM / 0~20 m <sup>3</sup> /hr	34kg	23L
UFBG02	930	1120	216	168	172	730	10	332	704	65	1/4"	0~200 GPM / 0~45 m <sup>3</sup> /hr	43kg	37L
UFBG03	350	495	140	135	97	200	10	211	350	40	1/4"	0~ 20 GPM / 0~4.5 m <sup>3</sup> /hr	18kg	6.3L
UFBG04	450	595	140	135	97	310	10	211	350	40	1/4"	0~ 45 GPM / 0~10 m <sup>3</sup> /hr	21kg	7.8L

UNIT : mm

Customized housings are available on requests.

Actual flow rates will be determined on element selection and fluid viscosity.

For more information:

WEB: FLTR.com.au PHONE: (+61) 1300 62 4020 EMAIL: info@FLTR.com.au SKYPE: Purple.Engineering