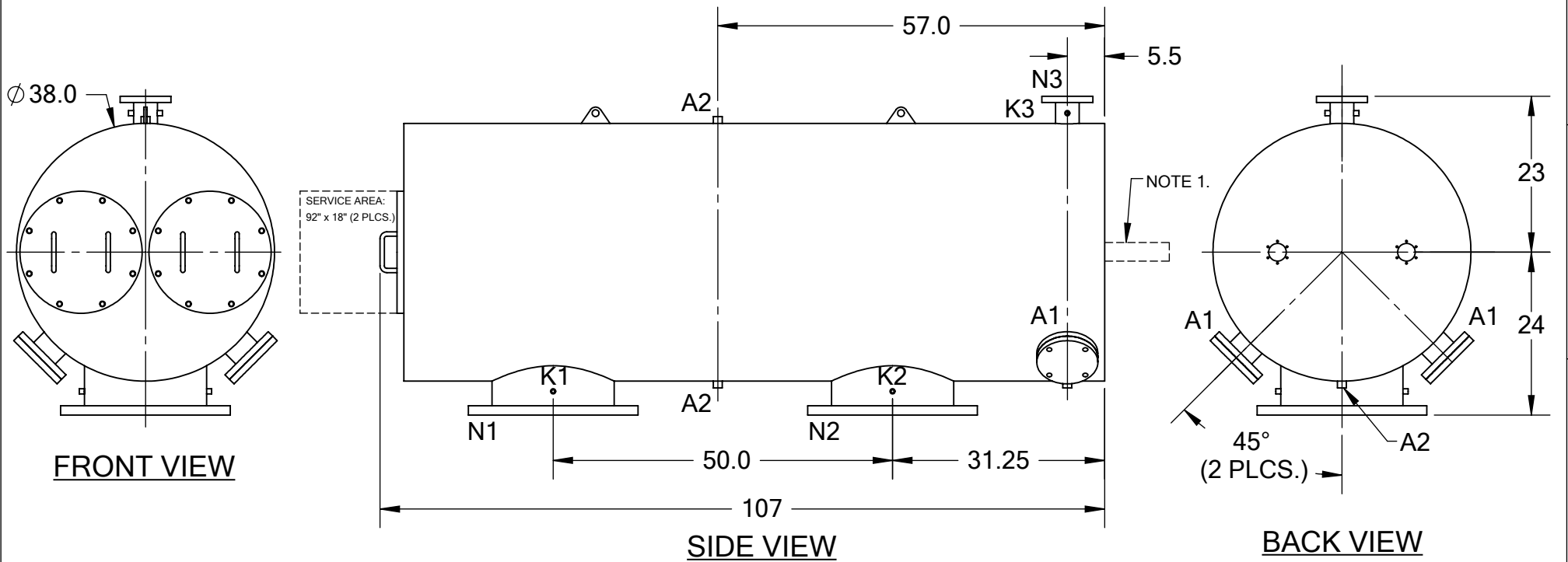


| REVISIONS | | | | |
|-----------|------|-------------|------|---------|
| REV. | ZONE | DESCRIPTION | DATE | INITIAL |
| | | | | |




TECHNICAL DATA

| | |
|--------------------|--------------------------------------|
| FLOW RATE | 8,000 GPM (1,817 m ³ /hr) |
| SCREEN SIZE | --- MICRON |
| SCREEN AREA | 25.0 SQ. FT. (2 x 12.5 SQ. FT.) |
| DESIGN TEMPERATURE | 160 °F |
| DESIGN PRESSURE | 150 PSI |
| EMPTY WEIGHT | ~3,000 LBS. |
| FULL WEIGHT | ~8,000 LBS. |

NOTES:

- PLEASE ALLOW ~20" ADDITIONAL TO INSTALL AND REMOVE THE PISTON ASSEMBLY TO THE BACKSIDE OF THE FILTER (2 PLCS.).
- SERVICE AREAS ARE NOT TO SCALE.

| NOZZLE | CONNECTION | TYPE | SIZE | RATING | TOLERANCES (UNLESS OTHERWISE SPECIFIED) |  |
|--------|---------------------|----------|-------------|------------------------|--|---|
| A1 | SERVICE PORT | FLANGED | 3.5" ASA(2) | CL. #150 F.F. w/ Blind | | |
| A2 | PRESSURE RELEASE | THREADED | 1" NPT(3) | | MATERIAL: SST | TITLE: ABW18-TP FILTER, ONE HOUSING, CUT DRAWING |
| K1 | HIGH PRESSURE CONN. | THREADED | 1/4" NPT(2) | | DRAWN BY: S. PERKINSON | |
| K2 | LOW PRESSURE CONN. | THREADED | 1/4" NPT(2) | | DATE: 04/20/2018 | DRAWING NUMBER ABW-18TP-CUT-02 |
| K3 | HYDRAULIC CONN. | THREADED | 1/4" NPT(2) | | SCALE: 1:22 | |
| N1 | INLET | FLANGED | 18" ASA | CLASS #150 F.F.S.O. | SHEET: 1 OF 1 | |
| N2 | OUTLET | FLANGED | 18" ASA | CLASS #150 F.F.S.O. | | |
| N3 | FLUSH OUTLET | FLANGED | 3" ASA | CLASS #150 F.F.S.O. | | |