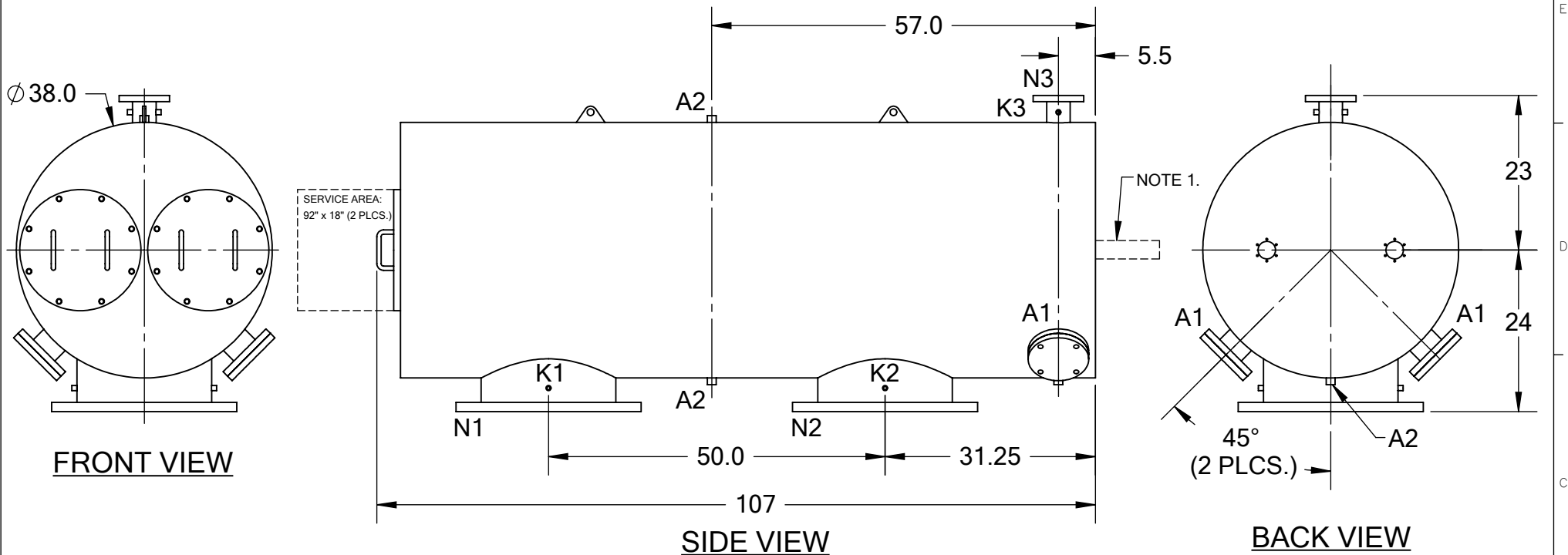


REVISIONS				
REV.	ZONE	DESCRIPTION	DATE	INITIAL



TECHNICAL DATA	
FLOW RATE	8,000 GPM (1,817 m ³ /hr)
SCREEN SIZE	--- MICRON
SCREEN AREA	25.0 SQ. FT. (2 x 12.5 SQ. FT.)
DESIGN TEMPERATURE	160 °F
DESIGN PRESSURE	150 PSI
EMPTY WEIGHT	~3,100 LBS.
FULL WEIGHT	~8,100 LBS.

NOTES:
 1. PLEASE ALLOW ~20" ADDITIONAL TO INSTALL AND REMOVE THE PISTON ASSEMBLY TO THE BACKSIDE OF THE FILTER (2 PLCS.).
 2. SERVICE AREAS ARE NOT TO SCALE.

NOZZLE	CONNECTION	TYPE	SIZE	RATING
A1	SERVICE PORT	FLANGED	3.5" ASA(2)	CL. #150 F.F. w/ Blind
A2	PRESSURE RELEASE	THREADED	1" NPT(3)	
K1	HIGH PRESSURE CONN.	THREADED	1/4" NPT(2)	
K2	LOW PRESSURE CONN.	THREADED	1/4" NPT(2)	CLASS #150 F.F.S.O.
K3	HYDRAULIC CONN.	THREADED	1/4" NPT(2)	
N1	INLET	FLANGED	20" ASA	
N2	OUTLET	FLANGED	20" ASA	CLASS #150 F.F.S.O.
N3	FLUSH OUTLET	FLANGED	3" ASA	CLASS #150 F.F.S.O.

TOLERANCES (UNLESS OTHERWISE SPECIFIED)	
FRAC. ±1/16	ANGLE ±1°
.X ±.1	
.XX ±.05	
.XXX ±.010	
MATERIAL: SST	
DRAWN BY: S. PERKINSON	
DATE: 04/20/2018	
SCALE: 1:22	SHEET: 1 OF 1

FLTR
Purple Engineering

TITLE: ABW20-TP FILTER, ONE HOUSING, CUT DRAWING

DRAWING NUMBER	REV
ABW-20TP-CUT-02	N/A