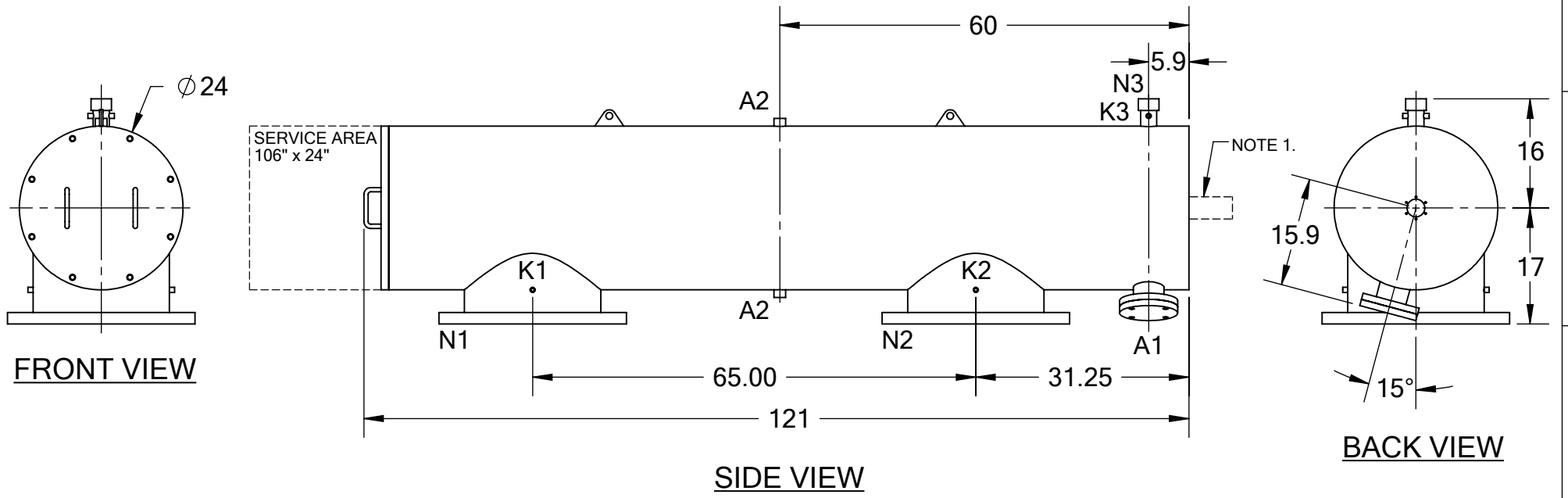



REVISIONS				
REV.	ZONE	DESCRIPTION	DATE	INITIAL



TECHNICAL DATA

FLOW RATE	8,000 GPM (1,817 m ³ /hr)
SCREEN SIZE	___ MICRON
SCREEN AREA	20.0 SQ. FEET
DESIGN TEMPERATURE	160 °F
DESIGN PRESSURE	150 PSI
EMPTY WEIGHT	~1,800 LBS.
FULL WEIGHT	~2,600 LBS.

NOTES:
 1. PLEASE ALLOW ~20" ADDITIONAL TO INSTALL AND REMOVE THE PISTON ASSEMBLY TO THE BACKSIDE OF THE FILTER

NOZZLE	CONNECTION	TYPE	SIZE	RATING	TOLERANCES (UNLESS OTHERWISE SPECIFIED)	
A1	SERVICE PORT	FLANGED	3.5" ASA	CL. #150 F.F. w/ Blind		
A2	PRESSURE RELEASE	THREADED	1" NPT(2)	CLASS #150 F.F.S.O. CLASS #150 F.F.S.O.	MATERIAL: SST	TITLE: ABW20-XLP FILTER, CUT DRAWING
K1	HIGH PRESSURE CONN.	THREADED	1/4" NPT(2)		DRAWN BY: M. SERRANO	
K2	LOW PRESSURE CONN.	THREADED	1/4" NPT(2)		DATE: 05/17/2018	DRAWING NUMBER ABW-20XLP-CUT-01
K3	HYDRAULIC CONN.	THREADED	1/4" NPT(2)	SCALE: 1:22	REV N/A	
N1	INLET	FLANGED	20" ASA		SHEET: 1 OF 1	
N2	OUTLET	FLANGED	20" ASA			
N3	FLUSH OUTLET	THREADED	2" NPT			