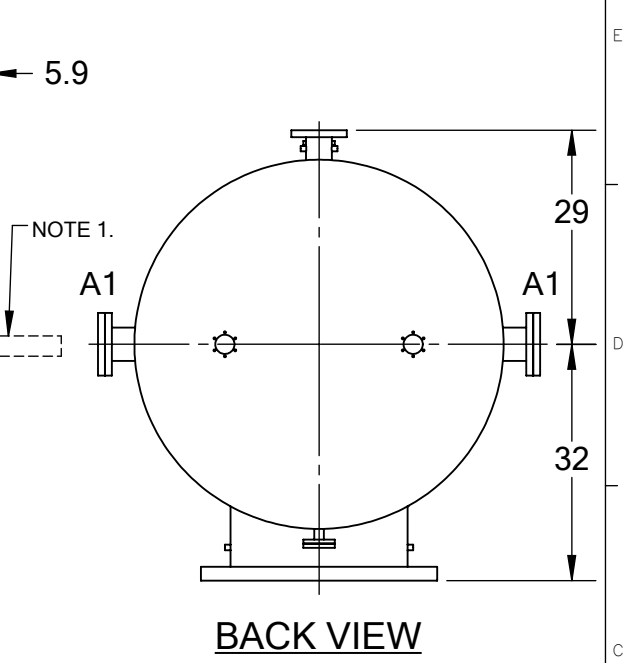
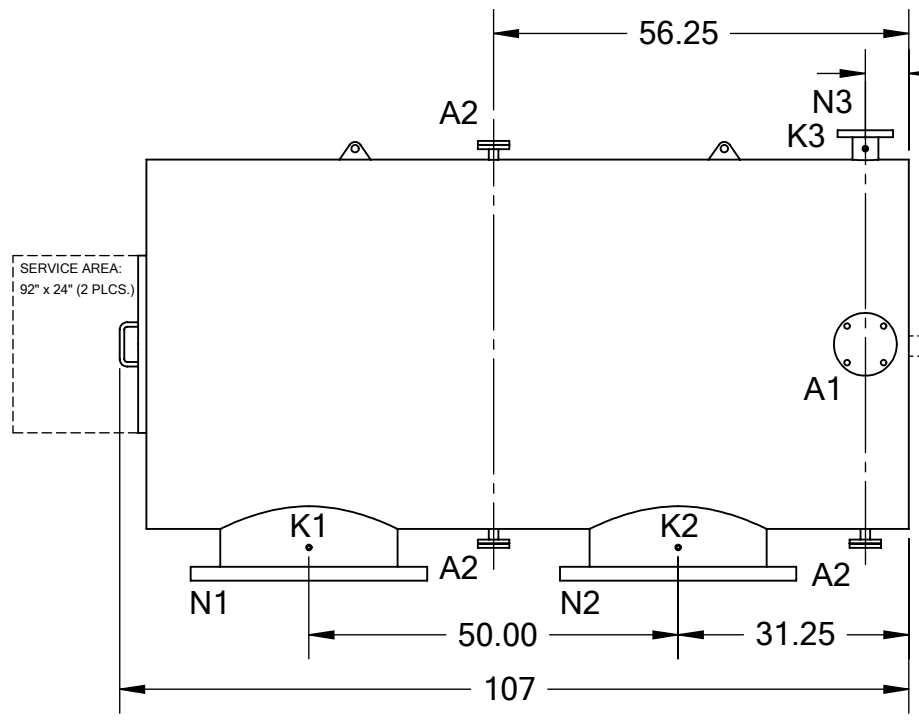
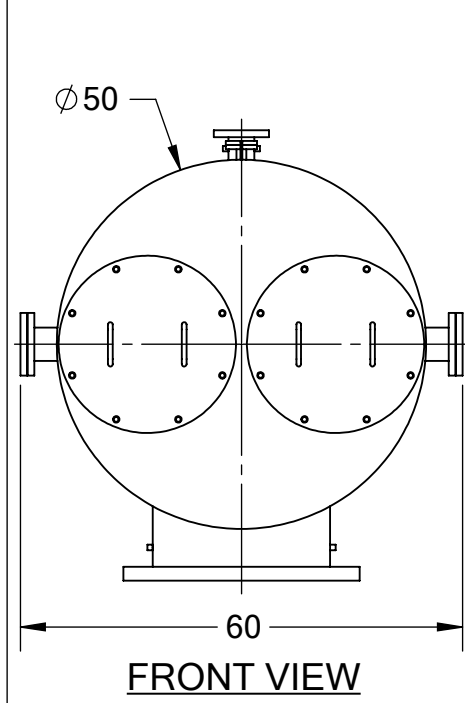


REVISIONS				
REV.	ZONE	DESCRIPTION	DATE	INITIAL



TECHNICAL DATA


FLOW RATE	MAX. 12,000 GPM (2,725 m <sup>3</sup> /hr)
SCREEN SIZE	___ MICRON
SCREEN AREA	32.0 SQ. FT. (2 x 16.0 SQ. FT.)
DESIGN TEMPERATURE	160 °F
DESIGN PRESSURE	150 PSI
EMPTY WEIGHT	~5,000 LBS.
FULL WEIGHT	~10,000 LBS.

NOTES:

- PLEASE ALLOW ~20" ADDITIONAL TO INSTALL AND REMOVE THE PISTON ASSEMBLY TO THE BACKSIDE OF THE FILTER (2 PLCS.).
- SERVICE AREAS ARE NOT TO SCALE.

NOZZLE	CONNECTION	TYPE	SIZE	RATING
A1	SERVICE PORT	FLANGED	3.5" ASA(2)	CL. #150 F.F. w/ Blind
A2	PRESSURE RELEASE	FLANGED	1" ASA(3)	CL. #150 F.F. w/ Blind
K1	HIGH PRESSURE CONN.	THREADED	1/4" NPT(2)	
K2	LOW PRESSURE CONN.	THREADED	1/4" NPT(2)	
K3	HYDRAULIC CONN.	THREADED	1/4" NPT(2)	
N1	INLET	FLANGED	24" ASA	CLASS #150 F.F.S.O.
N2	OUTLET	FLANGED	24" ASA	CLASS #150 F.F.S.O.
N3	FLUSH OUTLET	FLANGED	3" ASA	CLASS #150 F.F.S.O.

TOLERANCES (UNLESS OTHERWISE SPECIFIED)	
FRAC. ±1/16	ANGLE ±1°
.X ±.1	
.XX ±.05	
.XXX ±.010	
<b>MATERIAL:</b> SST	
<b>DRAWN BY:</b> S. PERKINSON	
<b>DATE:</b> 03/14/2018	
<b>SCALE:</b> 1:26	<b>SHEET:</b> 1 OF 1



**TITLE:** ABW24-TLP FILTER, ONE HOUSING, CUT DRAWING

<b>DRAWING NUMBER</b>	<b>REV</b>
ABW-24TLP-CUT-03	N/A