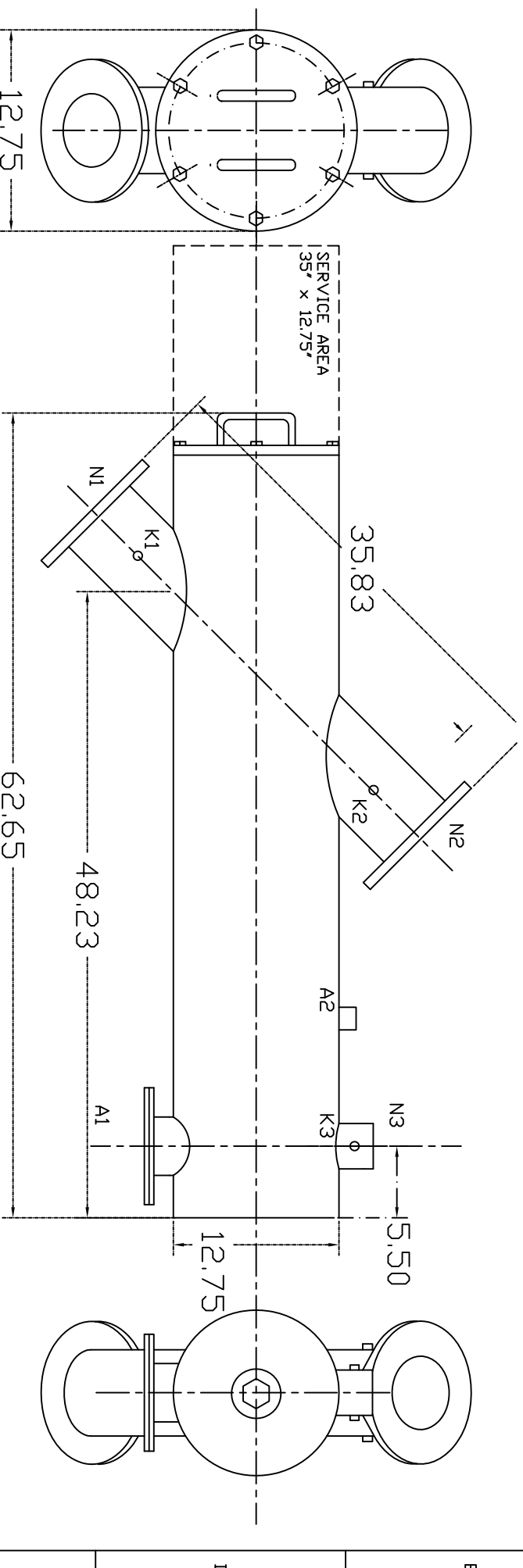


REVOLUTIONS		DESCRIPTION	DATE	APPROVED
ZONE	REV			



TECHNICAL DATA

Flow Rate Max: 500 gpm (150 cu m/hr.)
 Screen Size 5.0 Micron
 Screen Area 510 sq.ft.
 Working Temp. 200 deg. F
 Working Pressure 150 PSI
 Empty Weight 230 lbs.
 Full Weight 419 lbs.

NOZZLE	CONNECTION	TYPE OF CONNECTION	SIZE	RATING
A1	Service Port	Flanged	3.5" ASA	150 lbs. F.F. w/ blind
A2	Pressure Release	Threaded	1" NPT	
K1	Hi. Press. Conn.	Threaded	1/4" NPT(2)	
K2	Low Press. Conn.	Threaded	1/4" NPT(2)	
K3	Hydraulic Conn.	Threaded	1/4" NPT(2)	
N1	Inlet	Flanged	4" ASA	150 lbs. F.F.
N2	Outlet	Flanged	4" ASA	150 lbs. F.F.
N3	Flushoutlet	Flanged	2" NPT	

UNLESS OTHERWISE SPECIFIED
 DIMENSIONS ARE IN INCHES
 TOLERANCES
 DECIMALS .XX ± .05
 .XXX ± .01
 ANGULAR ± 0.5 DEG.

AUTOMATIC FILTERS, INC.
 2672 S. LA CIENEGA BLVD.
 LOS ANGELES, CA 90034
 (310) 839-2828 FAX (310) 839-6878

DRAWN Daniel Stenberg	DATE 6-8-05	TITLE ABW4-L
CHECKED	SIZE DWG. NO. A ABW4-L	
DESIGN	SCALE 1:11	