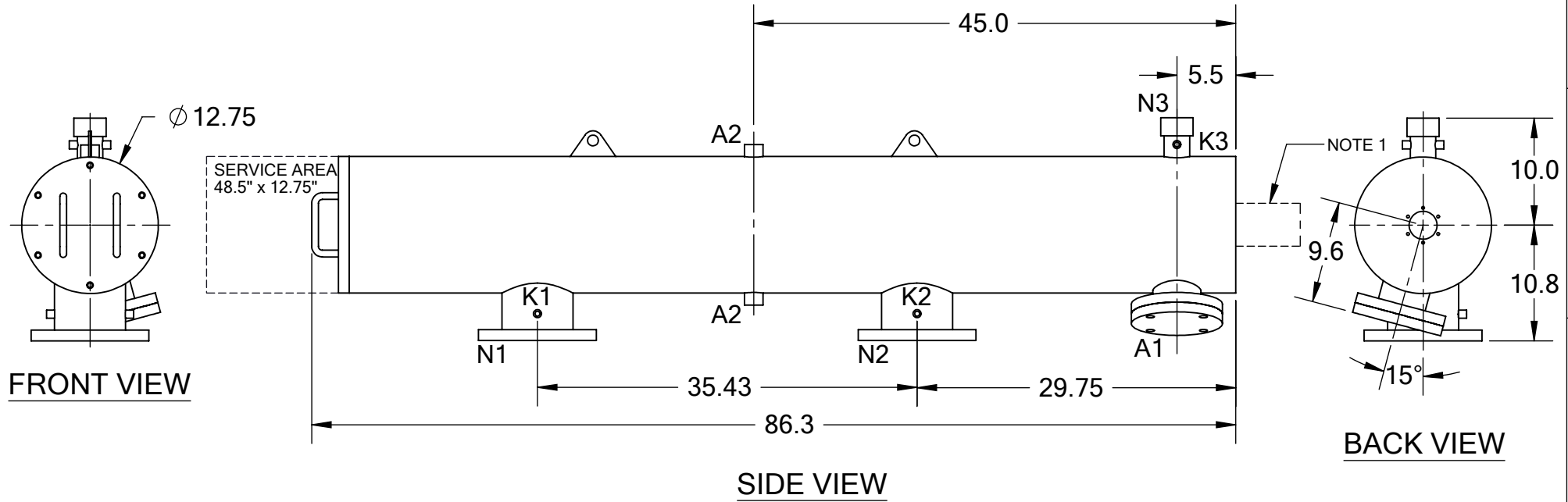


REVISIONS				
REV.	ZONE	DESCRIPTION	DATE	INITIAL
1	1B, 2B	CHANGED "WORKING" TO "DESIGN" & TEMPERATURE FROM 200°F TO 160°F IN TECHNICAL DATA TABLE.	09/27/12	S.P.
2	7D	ADDED NOTE 1.	10/17/14	M.S.




TECHNICAL DATA

FLOW RATE	MAX. 800 GPM (182 m ³ /hr)
SCREEN SIZE	___ MICRON
SCREEN AREA	8.0 SQ. FEET
DESIGN TEMPERATURE	160 °F
DESIGN PRESSURE	150 PSI
EMPTY WEIGHT	~335 LBS.
FULL WEIGHT	~635 LBS.

NOTES:

- PLEASE ALLOW ~20" ADDITIONAL TO INSTALL AND REMOVE THE PISTON ASSEMBLY TO THE BACKSIDE OF THE FILTER.

NOZZLE	CONNECTION	TYPE	SIZE	RATING	TOLERANCES (UNLESS OTHERWISE SPECIFIED) FRAC. ±1/16 ANGLE ±1° .X ±.1 .XX ±.05 .XXX ±.010	
A1	SERVICE PORT	FLANGED	3.5" ASA	CL. #150 F.F. w/ Blind		
A2	PRESSURE RELEASE	THREADED	1" NPT(2)			
K1	HIGH PRESSURE CONN.	THREADED	1/4" NPT(2)			
K2	LOW PRESSURE CONN.	THREADED	1/4" NPT(2)			
K3	HYDRAULIC CONN.	THREADED	1/4" NPT(2)			
N1	INLET	FLANGED	6" ASA	CLASS #150 F.F.S.O.		TITLE: ABW6-XLP FILTER, CUT DRAWING
N2	OUTLET	FLANGED	6" ASA	CLASS #150 F.F.S.O.		
N3	FLUSH OUTLET	THREADED	2" NPT			DRAWING NUMBER ABW-6XLP-CUT-01
					MATERIAL: SST	REV 2
					DRAWN BY: S. PERKINSON	
					DATE: 06/28/11	
					SCALE: 1:14	SHEET: 1 OF 1