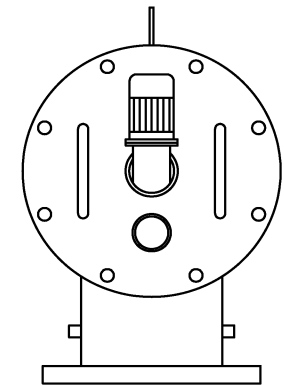
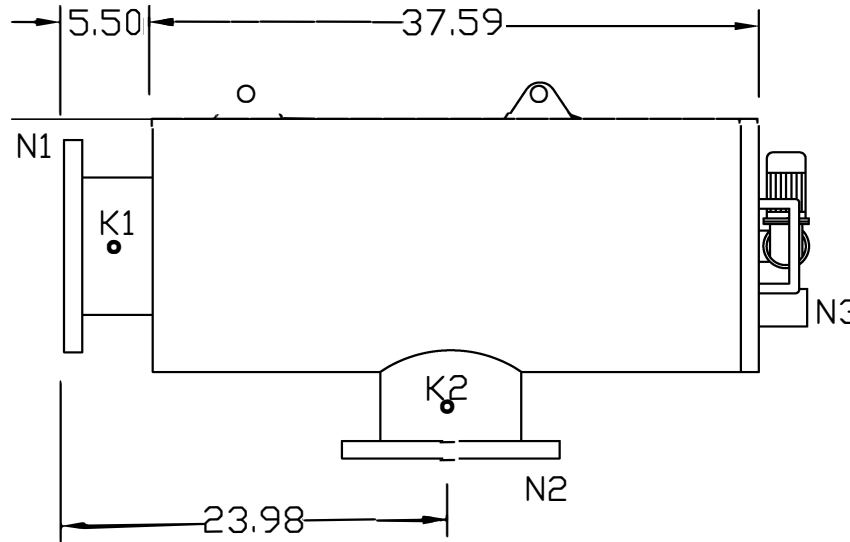
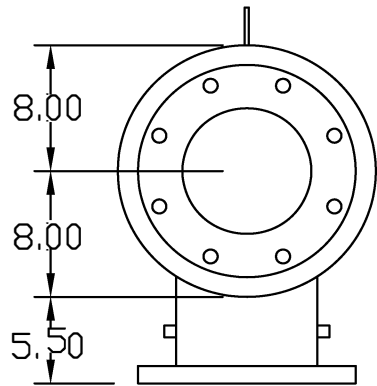


REVISIONS				
ZONE	REV	DESCRIPTION	DATE	APPROVED



TECHNICAL DATA

Flow Rate	Max. 1500 GPM
Screen Size	----- Micron
Screen Area	7.0 sq.ft
Design Temp.	160 deg. F
Design Pressure	150 PSI
Empty Weight	~400 lbs.
Full Weight	~700 lbs.

NOZZLE	CONNECTION	TYPE OF CONNECTION	SIZE	RATING
K1	Hi. Press. Conn.	Threaded	1/4" NPT(2)	
K2	Low Press. Conn.	Threaded	1/4" NPT (2)	
N1	Inlet	Flanged	8" ASA	150 lbs. F.F.
N2	Outlet	Flanged	8" ASA	150 lbs. F.F.
N3	Flushoutlet	Threaded	2" NPT	

UNLESS OTHERWISE SPECIFIED
DIMENSIONS ARE IN INCHES
TOLERANCES

DECIMALS	ANGULAR
.XX ± .05	± 0.5 DEG.
.XXX ± .01	



TITLE
CSB 8-S
Coarse Screen
Brush Filter

DRAWN
S. PERKINSON

DATE
02/26/2014

CHECKED

SIZE	DWG NO.	REV
A	CSB-8S-CUT-01	N/A

DESIGN

NOT TO SCALE SHEET 1 OF 1