



UPVC High Pressure Cartridge Filter Housings

Grace UPVC High Pressure Cartridge Filter Housings have excellent anti-corrosion ability because parts that have contact with process fluids are made of UPVC. Compared with products made of stainless steel in the same dimensions, the UPVC cartridge filter housings prevail of lightness, low cost and rust free. Secure quick swing bolt closure makes element change out convenient and exhibits better sealing performance. Mounting flange provides stable installation and turns UPVC filter housings as ideal options for various processes without complicated preparation.

- Ⓞ **Free of rust contamination in process fluid because of excellent anti-corrosion ability.**
- Ⓞ **Compared with products made by stainless steel, the UPVC filter housings prevail of lightness and low cost.**
- Ⓞ **Quick swing bolt closure makes element change out convenient and exhibits better sealing performance.**
- Ⓞ **Bottom mounting flange provides secure installation, enhanced safety and improved consistency during processes.**

Applications

Pre RO, Desalination, Waste Water Treatment, Household Water Filtration

Operation Data

Maximum Operating Temperature : 60°C (140°F)
Maximum Operating Pressure : 7 bar(102 psi)

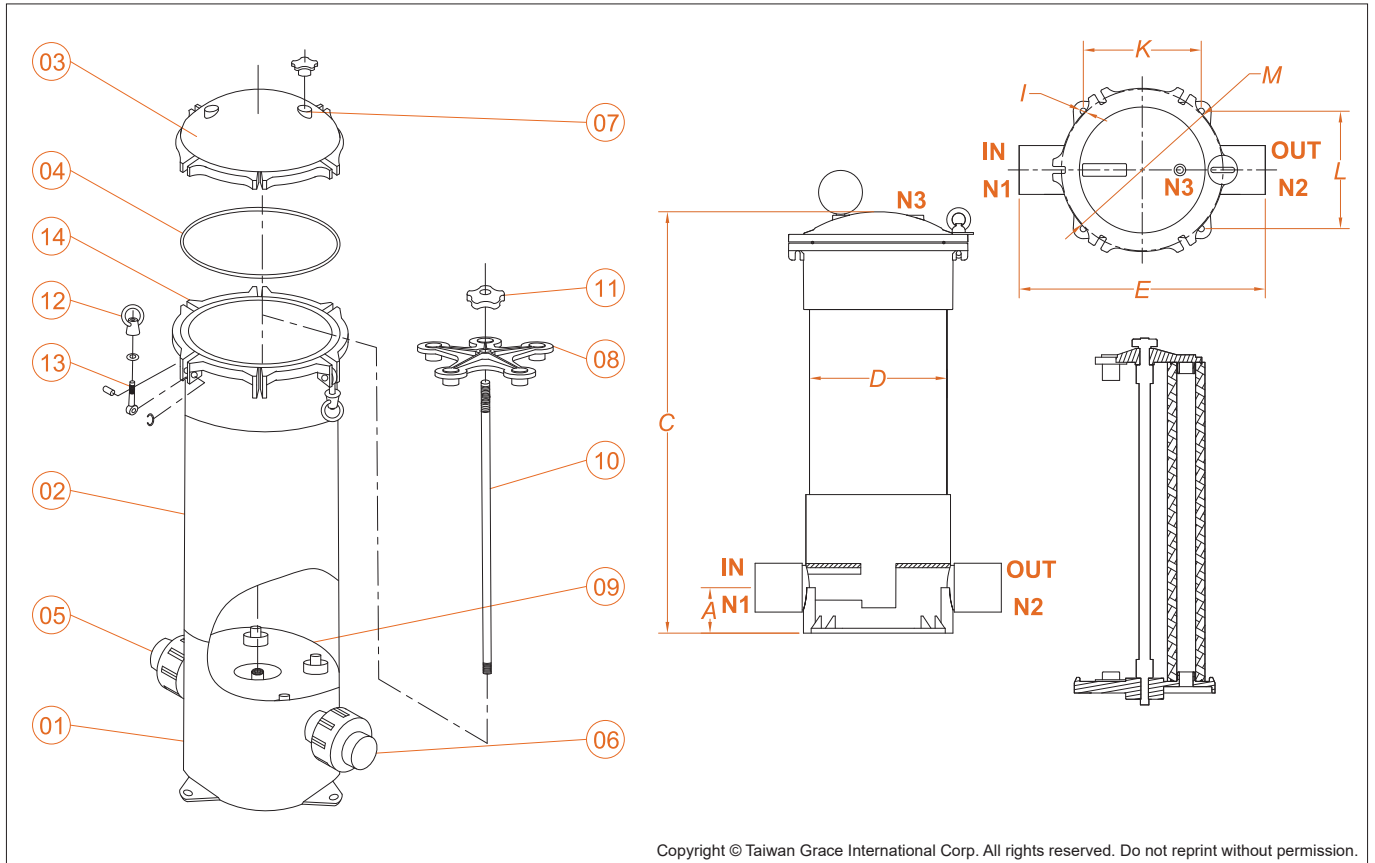
Ordering Information

Type	Length of Cartridge	Material of Construction	Number of Cartridges	Inlet/Outlet Size (inch/mm)		O-ring Option
				Pipe Standard	Gauge Size	
UFCG High Pressure Cartridge Filter Housing	10 - 10"	U - UPVC	3 - 3pcs 5 - 5pcs	A - ANSI	15 - 1.5"(48mm)	E -EPDM V -Viton S -Silicone
	20 - 20"				20 - 2"(60mm)	
	30 - 30"			D - DIN	40 - 50mm	
	40 - 40"			50 - 63mm		
UFCG High Pressure Cartridge Filter Housing	30 30"	U UPVC	5 5 pcs	A ANSI	20 2"	S Silicone O-ring

For more information:

WEB: FLTR.com.au **PHONE:** (+61) 1300 62 4020 **EMAIL:** info@FLTR.com.au **SKYPE:** Purple.Engineering

UPVC High Pressure Cartridge Filter Housings



Copyright © Taiwan Grace International Corp. All rights reserved. Do not reprint without permission.

Components

No.	Description	Qty
01	Pedestal	1
02	Body	1
03	Cap	1
04	O-ring	1
05	Port(Inlet)	1
06	Port(Outlet)	1
07	Vent	1
08	Cartridge Squeeze Plate	3, 5
09	Cartridge Support Plate	1
10	Screw Stay	1
11	Nut	1
12	Eye Nut	6
13	Eye Bolt	6
14	Eye Bolt Socket	6

Dimensions

Model	A	C	ØD	E		ØJ	K	L	ØM	N1 N2	N3	Flow Rate	G. Weight
				DIN/ANSI 1.5"	DIN/ANSI 2"								
UFCG10U3/5	75	465	225	365	473	10	188	186	290	DIN/ANSI 1.5"	1/4"	0~ 25 GPM / 0 ~ 5 m ³ /hr	8.0kg
UFCG20U3/5	75	715	225	365	473	10	188	186	290		1/4"	0~ 55 GPM / 0 ~ 11 m ³ /hr	9.5kg
UFCG30U3/5	75	965	225	365	473	10	188	186	290	DIN/ANSI 2"	1/4"	0~ 85 GPM / 0 ~ 17 m ³ /hr	13.0kg
UFCG40U3/5	75	1215	225	365	473	10	188	186	290		1/4"	0~110 GPM / 0 ~ 22 m ³ /hr	15.3kg

UNIT : mm

Customized housings are available on requests.

Actual flow rates will be determined on element selection and fluid viscosity.

For more information:

WEB: FLTR.com.au PHONE: (+61) 1300 62 4020 EMAIL: info@FLTR.com.au SKYPE: Purple.Engineering