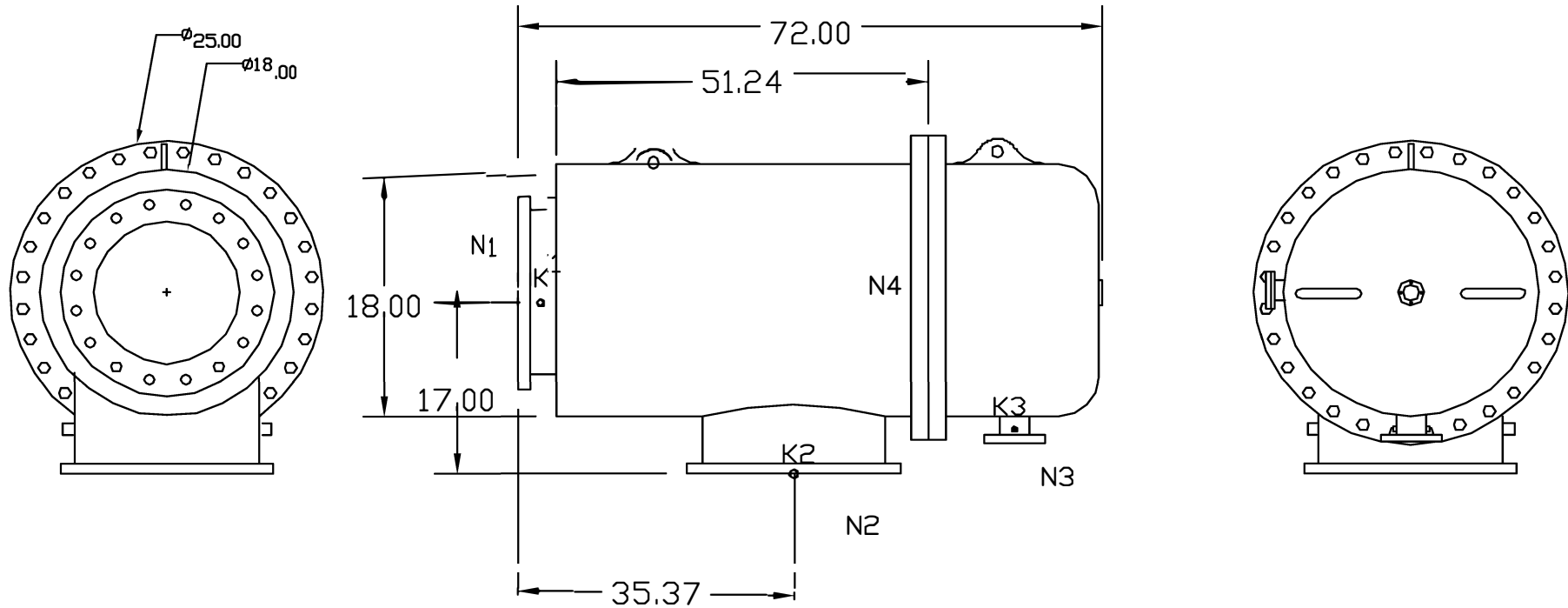


REVISIONS				
ZONE	REV	DESCRIPTION	DATE	APPROVED



TECHNICAL DATA	
Flow Rate	Max 4000 GPM
Screen Size	5-800 Micron
Screen Area	12.5 Sq.Ft.
Working Temp.	200 deg. F
Working Pressure	150 PSI
Weight	600 lbs.

NOZZLE	CONNECTION	TYPE OF CONNECTION	SIZE
K1	Hi. Press. Conn.	Threaded	1/4" NPT
K2	Low Press. Conn.	Threaded	1/4" NPT
N1	Inlet	Flanged	12" ASA
N2	Outlet	Flanged	12" ASA
N3	Flush Outlet	Flanged	4" ASA
N4	Connection Flg.	Flanged	18" ASA

UNLESS OTHERWISE SPECIFIED  
DIMENSIONS ARE IN INCHES  
TOLERANCES  
DECIMALS ANGULAR  
XX ± .05 ± 0.5 DEG  
XXX ± .01



DRAWN	DATE
Daniel Stenberg	4-4-06
CHECKED	
DESIGN	

TITLE		
MTF 12-L		
SIZE	DWG NO.	REV
A	mtf 12-l	1
SCALE 1/6		SHEET 1 OF 1