



## **UPVC High Pressure Multi-cartridges Filter Housings**

UPVC High Pressure Multi-cartridges Filter Housings feature excellent anti-corrosion by wide chemical compatibility. Compared with products made of stainless steel in the same dimensions, the UPVC cartridge filter housings advantage of lightness, superior corrosion resistance, low cost and rust free. Secure quick swing bolt closure makes element change out convenient and exhibits a better sealing performance, making the UPVC high pressure filter housings ideal for critical processes requiring high flow capacity.

- Ⓞ **Free of rust contamination in process fluid because of excellent anti-corrosion ability.**
- Ⓞ **Compared with products made of stainless steel, the UPVC filter housings advantage of lightness and low cost.**
- Ⓞ **Quick swing bolt closure makes element change out convenient and provides a better sealing performance.**
- Ⓞ **The high pressure type housings accept 9 rounds of filter cartridges, producing higher flow capacity for critical chemical processes.**

### **Applications**

Pre RO, Desalination, Waste Water Treatment, Household Water Filtration

### **Operation Data**

Maximum Operating Temperature : 60°C (140°F)  
Maximum Operating Pressure : 7 bar(102 psi)

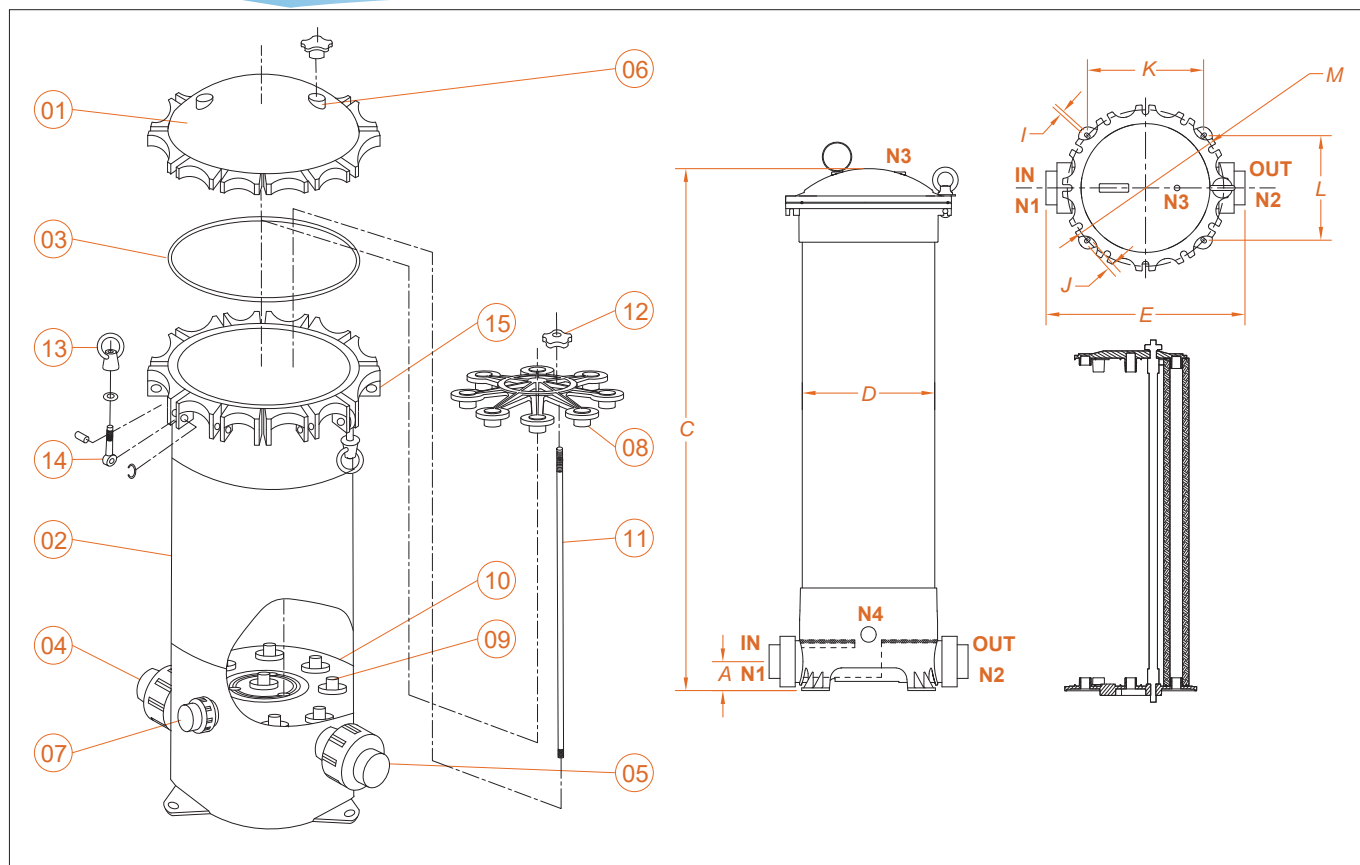
### **Ordering Information**

Type	Length of Cartridge	Material of Construction	Number of Cartridges	Inlet/Outlet Size (inch/mm)		O-ring Option
				Pipe Standard	Gauge Size	
<b>UFCG</b> High Pressure Cartridge Filter Housing	10 - 10"	U - UPVC	8-8pcs	A - ANSI	30-3"(89mm)	E -EPDM
	20 - 20"					V -Viton
	30 - 30"		9-9pcs	D - DIN	80-90mm	S -Silicone
	40 - 40"					
<b>UFCG</b> High Pressure Cartridge Filter Housing	30 30"	U UPVC	8 8 pcs	A ANSI	30 3"	S Silicone O-ring

**For more information:**

**WEB:** FLTR.com.au **PHONE:** (+61) 1300 62 4020 **EMAIL:** info@FLTR.com.au **SKYPE:** Purple.Engineering

## UPVC High Pressure Multi-cartridges Filter Housings



### Components

No.	Description	Q'ty
01	Top Cap	1
02	Shell	1
03	O-ring	1
04	Port(Inlet)	1
05	Port(Outlet)	1
06	Vent	1
07	Drain	1
08	Cartridge Squeeze Plate	1
09	Cartridge Bowl	9
10	Cartridge Support Plate	1
11	Screw Stay	3
12	Nut	3
13	Eye Nut	12
14	Eye Bolt	12
15	Eye Bolt Socket	12

### Dimensions

Model	A	C	ØD	E	I	J	K	L	ØM	N1	N2	N3	N4	Flow Rate	G. Weight	
UFCG10U8/9	69	495	315	510	9	15	276	249	395	DIN 3" ANSI 3"		1/4"		0~ 45 GPM / 0 ~ 10 m <sup>3</sup> /hr	8.0kg	
UFCG20U8/9	69	745	315	510	9	15	276	249	395			1/4"	DIN 1/2"		0~ 90 GPM / 0 ~ 20 m <sup>3</sup> /hr	9.5kg
UFCG30U8/9	69	995	315	510	9	15	276	249	395			1/4"	ANSI 1/2"		0~135 GPM / 0 ~ 30 m <sup>3</sup> /hr	13.0kg
UFCG40U8/9	69	1245	315	510	9	15	276	249	395				1/4"		0~180 GPM / 0 ~ 40 m <sup>3</sup> /hr	15.3kg

UNIT : mm

Customized housings are available on requests.

Actual flow rates will be determined on element selection and fluid viscosity.

For more information:

WEB: FLTR.com.au PHONE: (+61) 1300 62 4020 EMAIL: info@FLTR.com.au SKYPE: Purple.Engineering