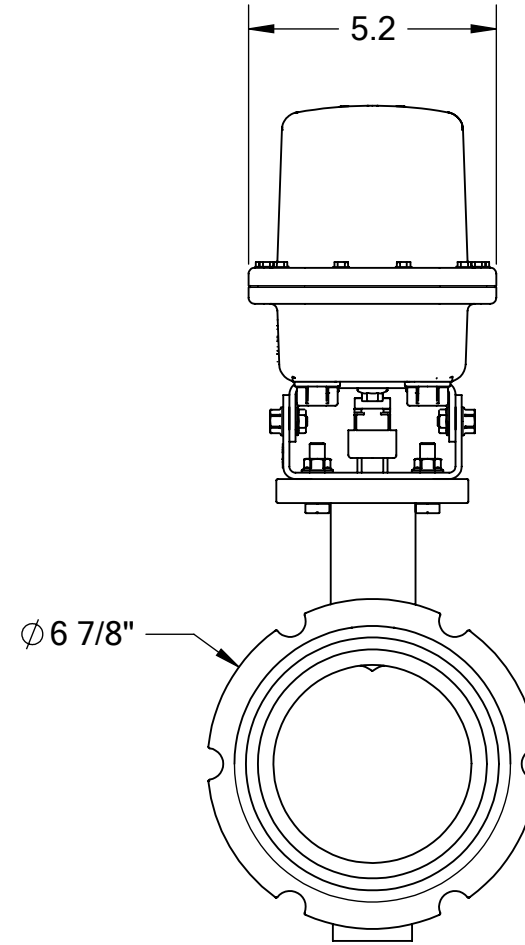
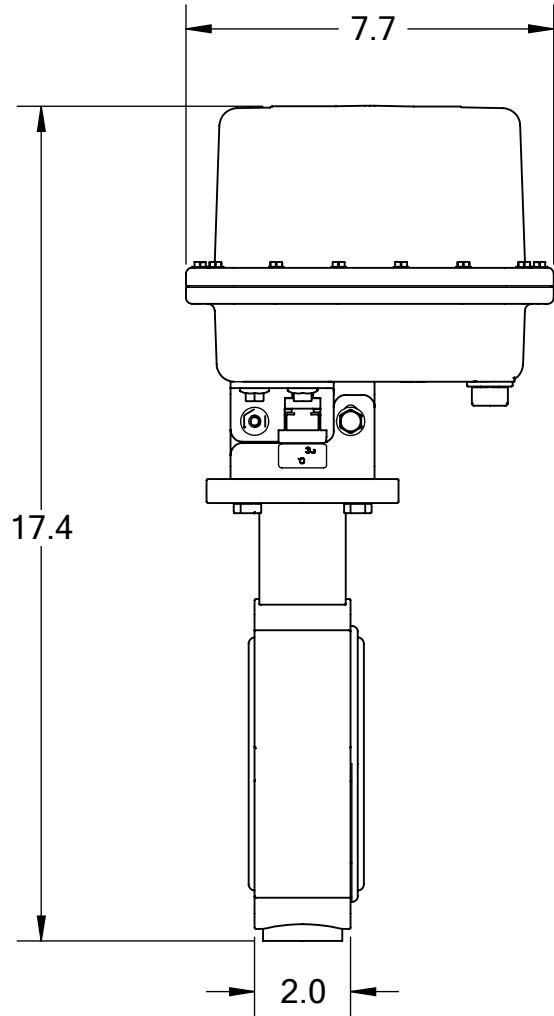


REVISIONS				
REV.	ZONE	DESCRIPTION	DATE	INITIAL



TECHNICAL DATA

CONNECTION	4"
FLOW COEFFICIENT (Cv)	1,366
TEMPERATURE RANGE	-40°F-250°F (EPDM SEATS)
MAX. PRESSURE	50 PSI @ 70°F
WEIGHT	13 LBS.
VOLTAGE	24 VAC
CURRENT	2 Amp

TOLERANCES
(UNLESS OTHERWISE SPECIFIED)

FRAC. ±1/16	ANGLE ±1°
.X ±.1	
.XX ±.05	
.XXX ±.010	



MATERIAL:	VARIES
DRAWN BY:	S. PERKINSON
DATE:	10/22/12
SCALE:	1:4

TITLE: 4" ELECTRIC BUTTERFLY VALVE	
DRAWING NUMBER	REV
VALVE-4INCH-ELECTRIC-BUTTERFLY-01	N/A