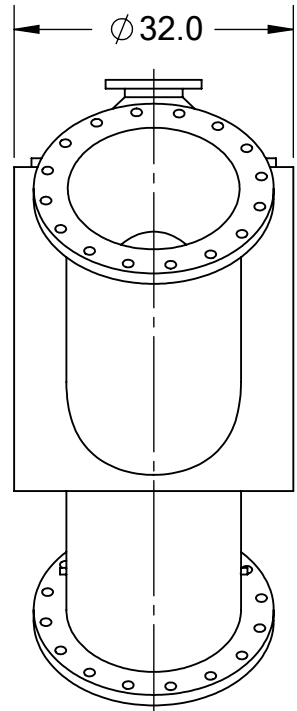
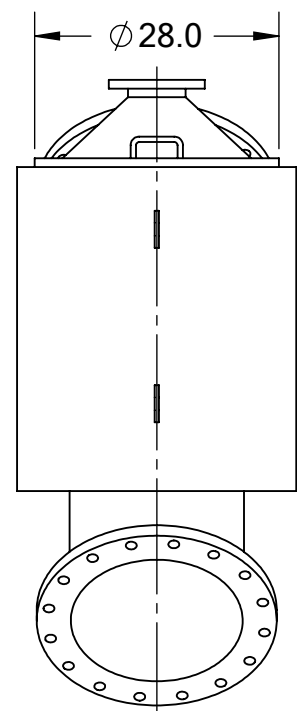


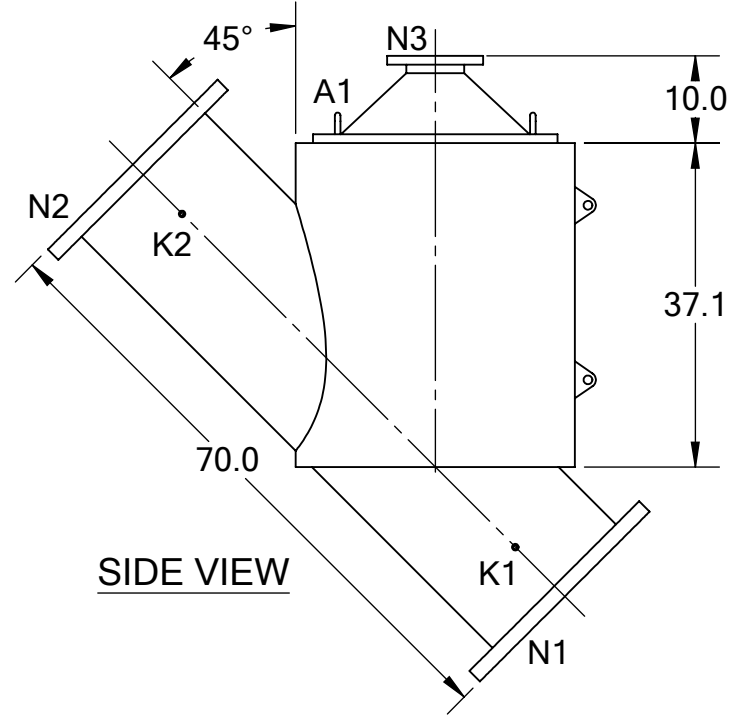
REVISIONS				
REV.	ZONE	DESCRIPTION	DATE	INITIAL
1	ALL	ROTATED FLANGE HOLES TO STRADDLE CENTERLINES OF FILTER, CHANGED "WORKING" TO "DESIGN" AND 200°F TO 160°F IN TECHNICAL DATA TABLE. CORRECTED SERVICE PORT FROM 20" TO 28".	04/10/13	S.P.



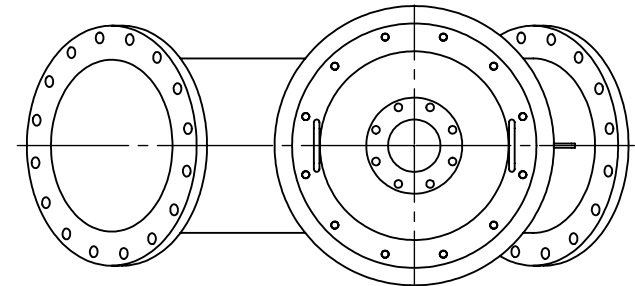
FRONT VIEW



BACK VIEW



SIDE VIEW



TOP VIEW

TECHNICAL DATA

FLOW RATE	MAX. 10,000 GPM (2,271 m ³ /hr)
SCREEN SIZE	___ MICRON
SCREEN AREA	18.0 SQ. FEET
DESIGN TEMPERATURE	160 °F
DESIGN PRESSURE	100 PSI
EMPTY WEIGHT	~950 LBS.
FULL WEIGHT	~3,000 LBS.

NOZZLE	CONNECTION	TYPE	SIZE	RATING
A1	SERVICE PORT	FLANGED	28"	
K1	HIGH PRESSURE CONN.	THREADED	1/4" NPT(2)	
K2	LOW PRESSURE CONN.	THREADED	1/4" NPT(2)	
N1	INLET	FLANGED	20" ASA	CLASS #150 F.F.S.O.
N2	OUTLET	FLANGED	20" ASA	CLASS #150 F.F.S.O.
N3	FLUSH OUTLET	FLANGED	6" ASA	CLASS #150 F.F.S.O.

TOLERANCES (UNLESS OTHERWISE SPECIFIED)	
FRAC. ±1/16	ANGLE ±1°
.X ±.1	
.XX ±.05	
.XXX ±.010	
MATERIAL:	SST
DRAWN BY:	S. PERKINSON
DATE:	02/29/12
SCALE:	1:22
SHEET:	1 OF 1



TITLE: CSF20-S FILTER, CUT DRAWING	
DRAWING NUMBER	REV
CSF-20S-CUT-01	1