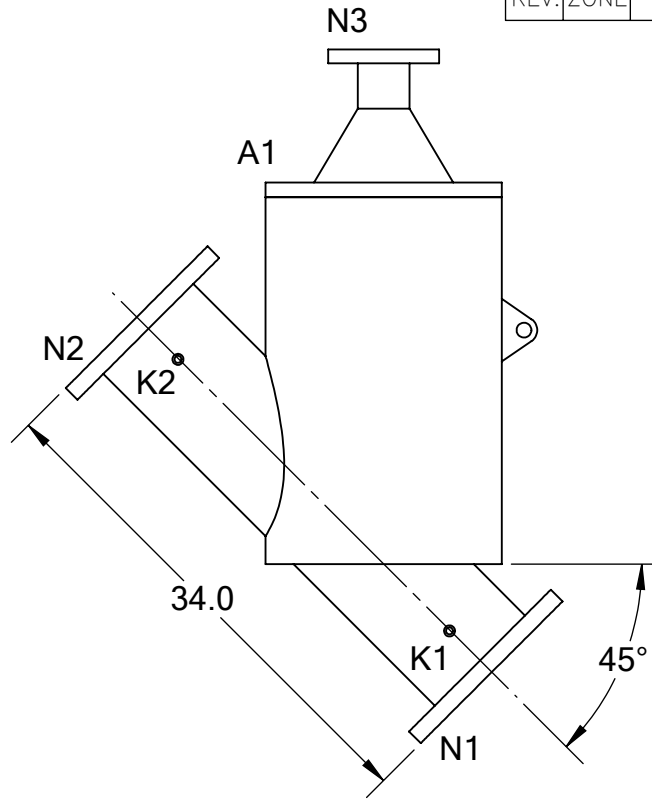


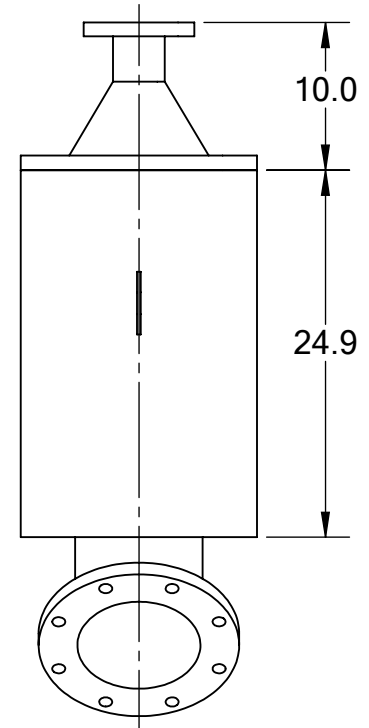
FRONT VIEW



SIDE VIEW

REVISIONS

REV.	ZONE	DESCRIPTION	DATE	INITIAL
------	------	-------------	------	---------



BACK VIEW

TECHNICAL DATA

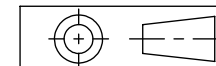
FLOW RATE	MAX. 1,750 GPM (397 m ³ /hr)
SCREEN SIZE	____ MICRON
SCREEN AREA	5.6 SQ. FEET
DESIGN TEMPERATURE	160 °F
DESIGN PRESSURE	150 PSI
EMPTY WEIGHT	~275 LBS.
FULL WEIGHT	~475 LBS.

NOZZLE	CONNECTION	TYPE	SIZE	RATING
A1	SERVICE PORT	FLANGED	16"	
K1	HIGH PRESSURE CONN.	THREADED	1/4" NPT(2)	
K2	LOW PRESSURE CONN.	THREADED	1/4" NPT(2)	
N1	INLET	FLANGED	8" ASA	CLASS #150 F.F.S.O.
N2	OUTLET	FLANGED	8" ASA	CLASS #150 F.F.S.O.
N3	FLUSH OUTLET	FLANGED	3" ASA	CLASS #150 F.F.S.O.

TOLERANCES (UNLESS OTHERWISE SPECIFIED)

FRAC. ±1/16
 .X ±.1
 .XX ±.05
 .XXX ±.010

ANGLE ±1°



MATERIAL: SST

DRAWN BY: S. PERKINSON

DATE: 08/24/12

SCALE: 1:13

SHEET: 1 OF 1



TITLE: CSF8-S FILTER WITH 3" FLANGED FLUSH OUTLET, CUT DRAWING

DRAWING NUMBER	REV
CSF-8S-CUT-02	N/A