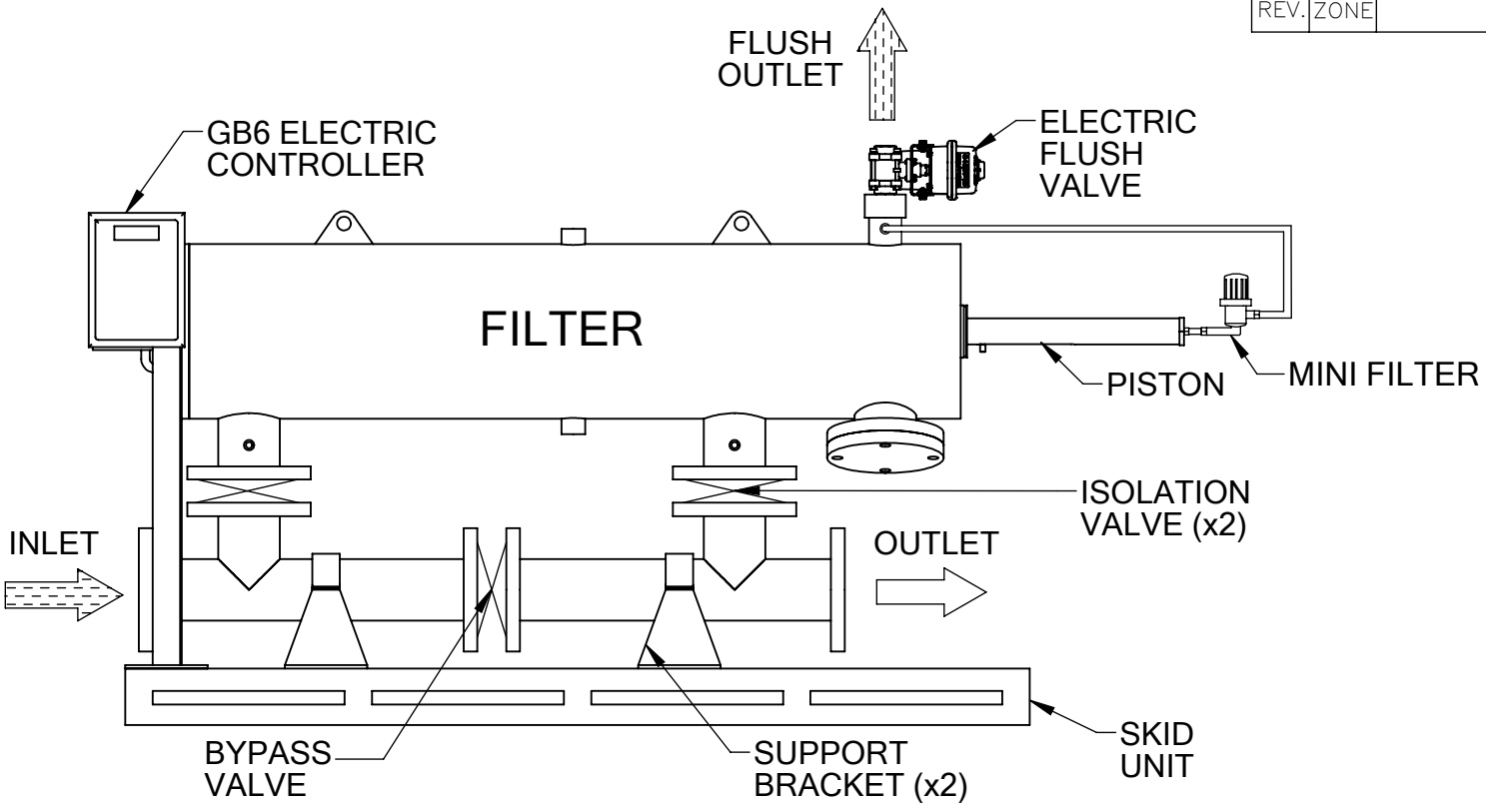
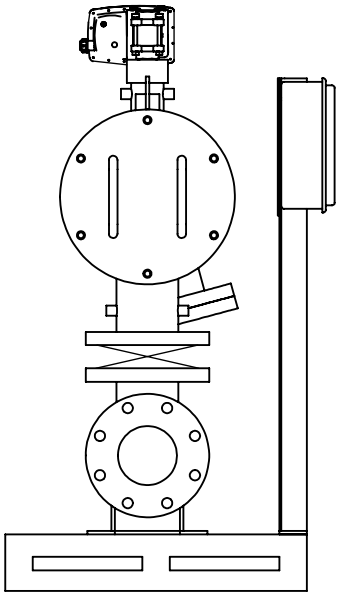


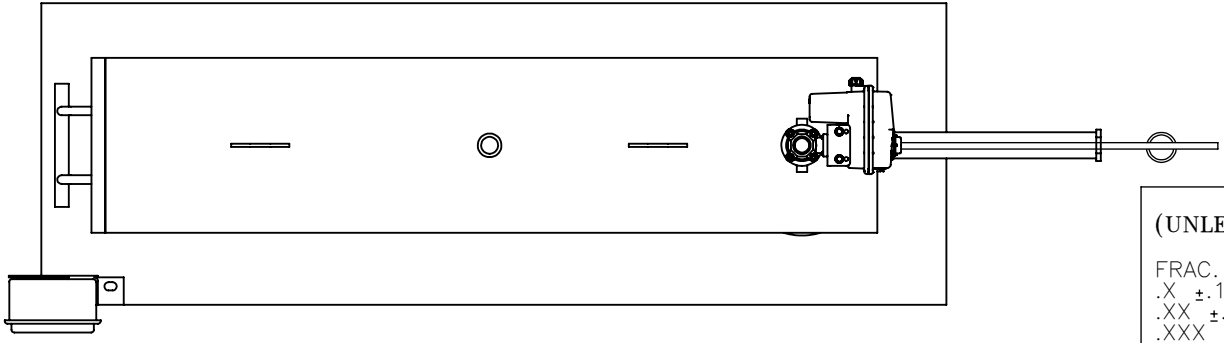
REVISIONS				
REV.	ZONE	DESCRIPTION	DATE	INITIAL



SIDE VIEW



FRONT VIEW



TOP VIEW

TOLERANCES
(UNLESS OTHERWISE SPECIFIED)

FRAC. $\pm 1/16$	ANGLE $\pm 1^\circ$
.X $\pm .1$	
.XX $\pm .05$	
.XXX $\pm .010$	



MATERIAL: VARIES	TITLE: ABW FILTER ON SKID UNIT, LAYOUT DRAWING,	
DRAWN BY: S. PERKINSON	DRAWING NUMBER	REV
DATE: 04/13/12	SKID-ABWGB6-EFV-LAY-01	N/A
SCALE: 1:14	SHEET: 1 OF 1	