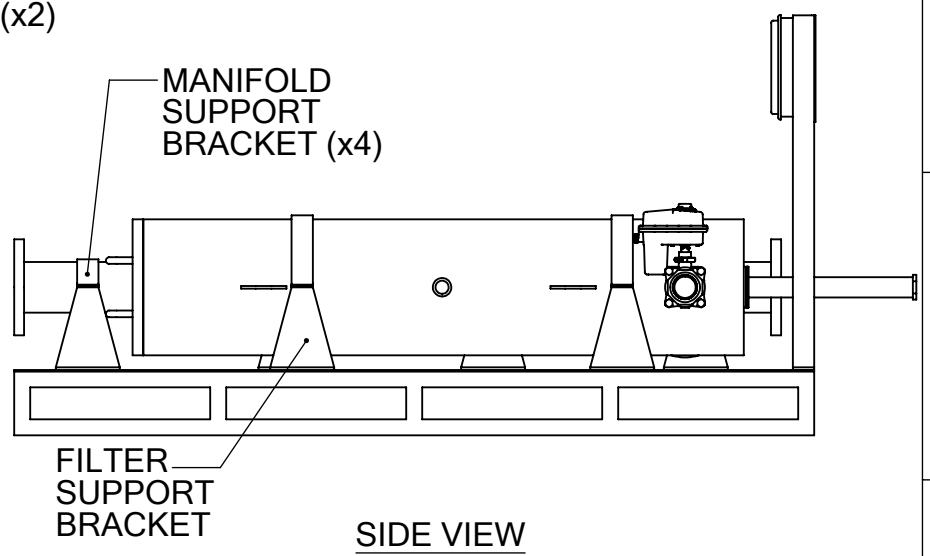


TOP VIEW

REVISIONS				
REV.	ZONE	DESCRIPTION	DATE	INITIAL



SIDE VIEW



FRONT VIEW

NOTES:
1. MINI-FILTERS, HYDRAULIC, & ELECTRICAL CONNECTIONS NOT SHOWN.

TOLERANCES (UNLESS OTHERWISE SPECIFIED)	
FRAC. $\pm 1/16$	ANGLE $\pm 1^\circ$
.X $\pm .1$	
.XX $\pm .05$	
.XXX $\pm .010$	
MATERIAL:	VARIES
DRAWN BY:	S. PERKINSON
DATE:	01/04/13
SCALE:	1:18



TITLE: LAYOUT FOR 2x ABW FILTERS IN PARALLEL WITH ELECTRIC FLUSH VALVES & GB7 CONTROLLER (HORIZONTAL ALIGNMENT)	
DRAWING NUMBER	REV
SKID-2ABWGB7-EFV-LAY-01	N/A