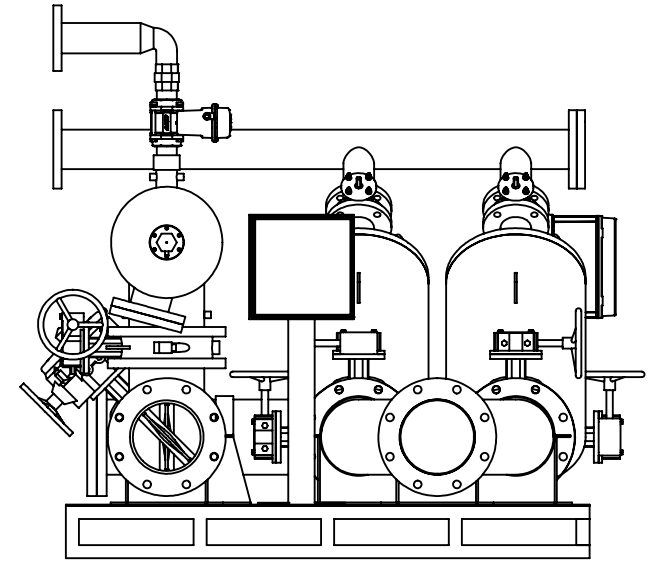
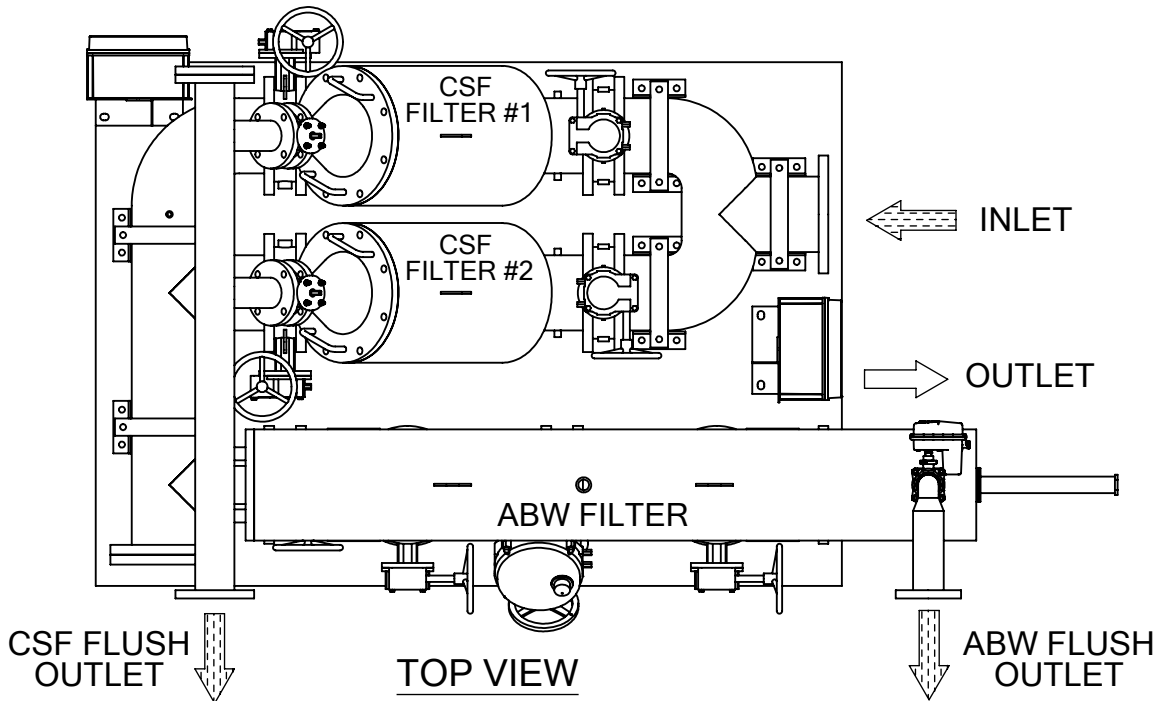


SIDE VIEW

REVISIONS				
REV.	ZONE	DESCRIPTION	DATE	INITIAL




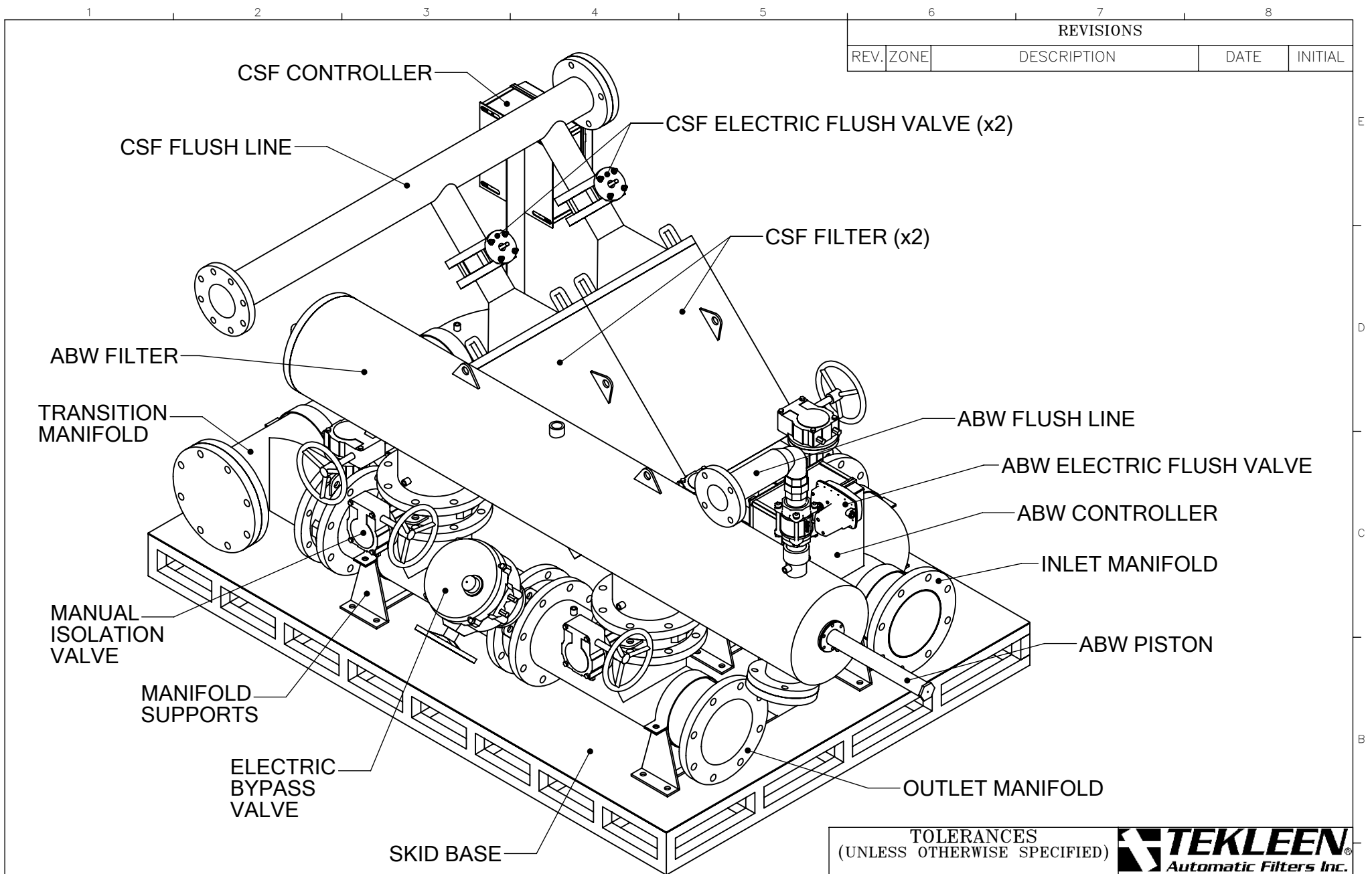
FRONT VIEW



TOP VIEW

- NOTES:
1. HYDRAULIC TUBING, MINI-FILTERS, & ELECTRICAL CONNECTIONS NOT SHOWN.
  2. ELECTRIC CONTROLLERS MAY BE PLACED ELSEWHERE ON SKID.
  3. VALVES SHOWN ARE GENERIC AND MAY VARY SLIGHTLY FROM WHAT IS ACTUALLY USED.

TOLERANCES (UNLESS OTHERWISE SPECIFIED)		
FRAC. $\pm 1/16$	ANGLE $\pm 1^\circ$	
.X $\pm .1$		
.XX $\pm .05$		
.XXX $\pm .010$		
MATERIAL: VARIES	TITLE: LAYOUT FOR 2x CSF & 1x ABW FILTERS ON SKID BASE	
DRAWN BY: S. PERKINSON	DRAWING NUMBER	
DATE: 07/02/2014	REV	
SCALE: 1:22	SHEET: 1 OF 2	SKID-2CSF-ABW-LAY-01 N/A



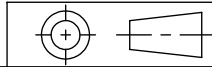
REVISIONS				
REV.	ZONE	DESCRIPTION	DATE	INITIAL

**ISOMETRIC VIEW**

**TOLERANCES**  
(UNLESS OTHERWISE SPECIFIED)

FRAC.  $\pm 1/16$   
 .X  $\pm .1$   
 .XX  $\pm .05$   
 .XXX  $\pm .010$

ANGLE  $\pm 1^\circ$



**TEKLEEN**  
*Automatic Filters Inc.*  
 2672 S. LA CIENEGA BLVD.  
 LOS ANGELES, CA 90034  
 MAIN: (310) 839-2828  
 FAX: (310) 839-6878

<b>MATERIAL:</b>	VARIES
<b>DRAWN BY:</b>	S. PERKINSON
<b>DATE:</b>	07/02/2014
<b>SCALE:</b>	1:15

<b>TITLE:</b> LAYOUT FOR 2x CSF & 1x ABW FILTERS ON SKID BASE	
<b>DRAWING NUMBER</b>	<b>REV</b>
SKID-2CSF-ABW-LAY-01	N/A