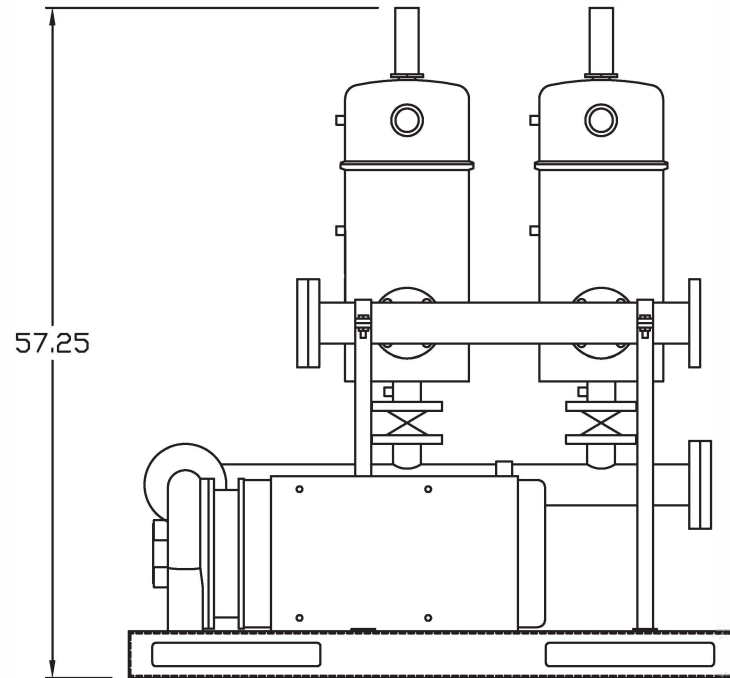
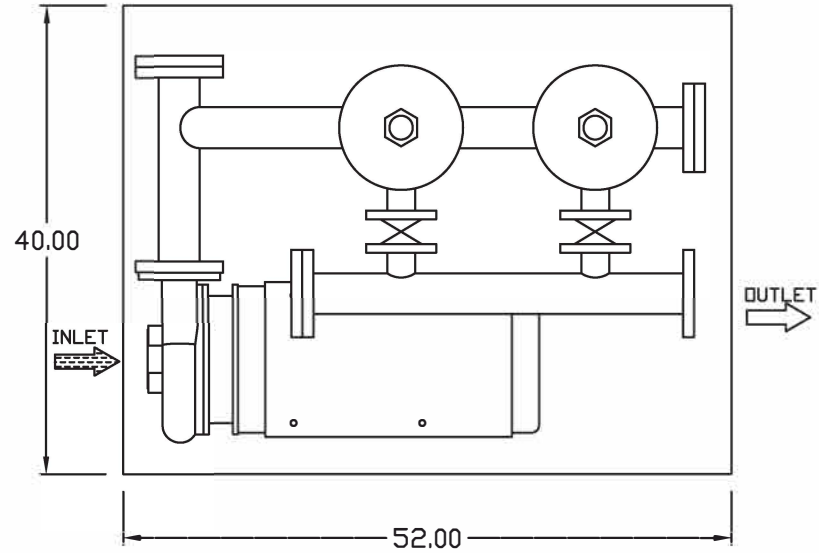


REVISIONS				
ZONE	REV	DESCRIPTION	DATE	APPROVED



UNLESS OTHERWISE SPECIFIED DIMENSIONS ARE IN INCHES TOLERANCES		TITLE		
DECIMALS	ANGULAR	2 MTF 2-XL, 3-L, & 4-L FILTERS IN PARALLEL WITH 1 PUMP, SKID UNIT		
.XX ± .05	± 0.5 DEG.	DRAWN	DATE	
.XXX ± .01		S. PERKINSON	01/25/11	
CHECKED		SIZE	DWG NO.	REV
		A	2MTF-2XL-3L-4L-SKID-01	N/A
DESIGN FOR:		NOT TO SCALE		SHEET 1 OF 1