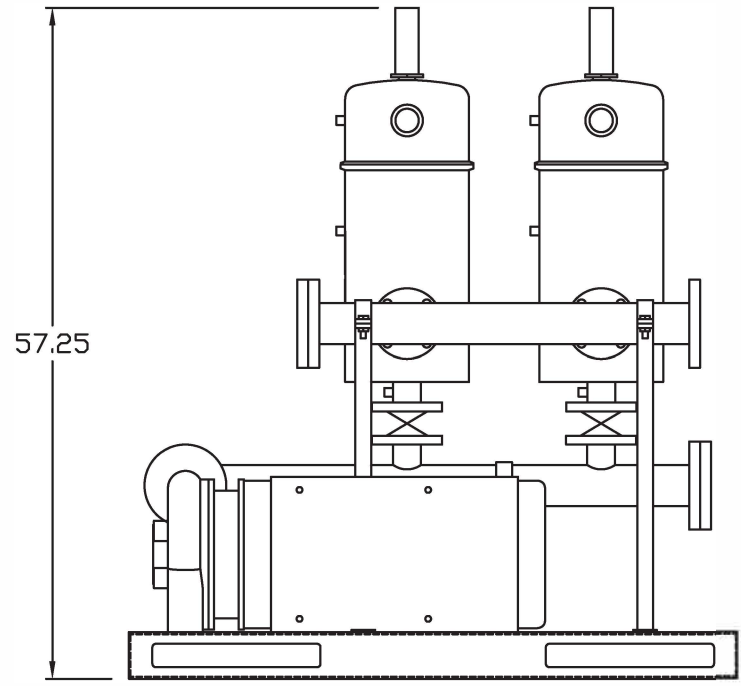
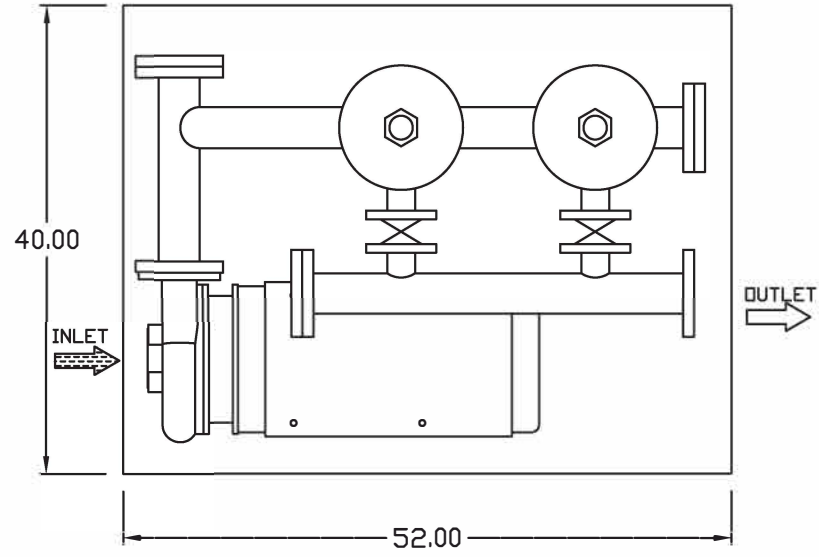


REVISIONS				
ZONE	REV	DESCRIPTION	DATE	APPROVED



UNLESS OTHERWISE SPECIFIED DIMENSIONS ARE IN INCHES TOLERANCES		TITLE		
DECIMALS .XX ± .05 .XXX ± .01	ANGULAR ± 0.5 DEG.	2 MTF 2-XL, 3-L, & 4-L FILTERS IN PARALLEL WITH 1 PUMP, SKID UNIT		
DRAWN S. PERKINSON	DATE 01/25/11	SIZE A	DWG NO. 2MTF-2XL-3L-4L-SKID-01	REV N/A
CHECKED		NOT TO SCALE		SHEET 1 OF 1
DESIGN FOR				