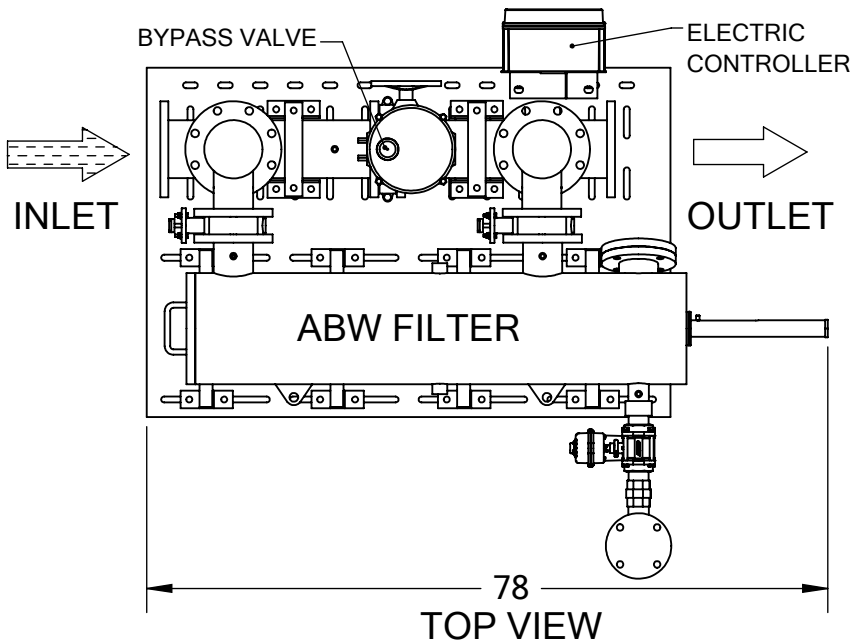
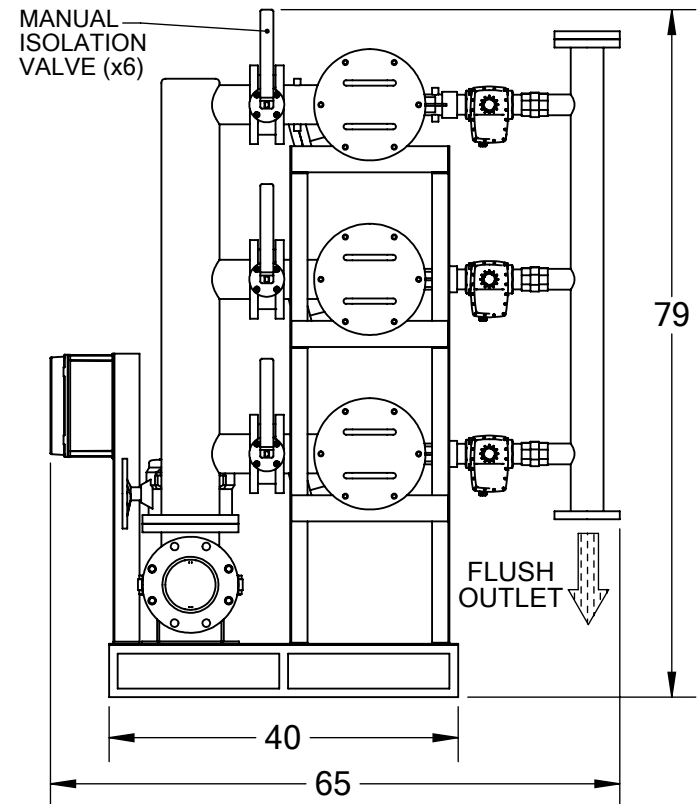


**SIDE VIEW**



**TOP VIEW**

REVISIONS				
REV.	ZONE	DESCRIPTION	DATE	INITIAL



**FRONT VIEW**

- NOTES:
1. MINI-FILTERS, D/P SWITCH, HARDWARE, HYDRAULIC & ELECTRICAL CONNECTIONS NOT SHOWN.
  2. ACTUAL VALVES USED MAY DIFFER SLIGHTLY AND BE ORIENTED DIFFERENTLY.
  3. ELECTRIC CONTROLLER MAY BE PLACED ELSEWHERE ON SKID BASE.
  4. DIMENSIONS ARE APPROXIMATES AND MAY VARY SLIGHTLY DEPENDING ON FILTER MODEL USED.
  5. NUMBER OF FILTER BRACES MAY VARY.
  6. SERVICE AREA NOT TO SCALE.

TOLERANCES (UNLESS OTHERWISE SPECIFIED)	
FRAC. $\pm 1/16$	ANGLE $\pm 1^\circ$
.X $\pm .1$	
.XX $\pm .05$	
.XXX $\pm .010$	
MATERIAL: VARIES	
DRAWN BY: S. PERKINSON	
DATE: 04/06/2017	
SCALE: 1:22	SHEET: 1 OF 1



TITLE: 3x ABW FILTERS ON SKID UNIT (LAYERED), LAYOUT DRAWING, (3-XLP, 4-LP, 6-LP & 8-P MODELS)	
DRAWING NUMBER	REV
SKID-3ABW-LAYERED-2	N/A