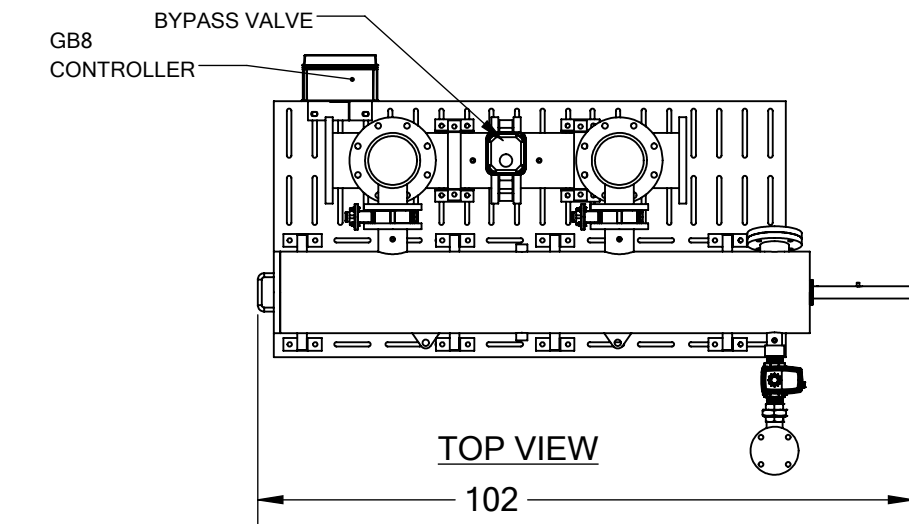
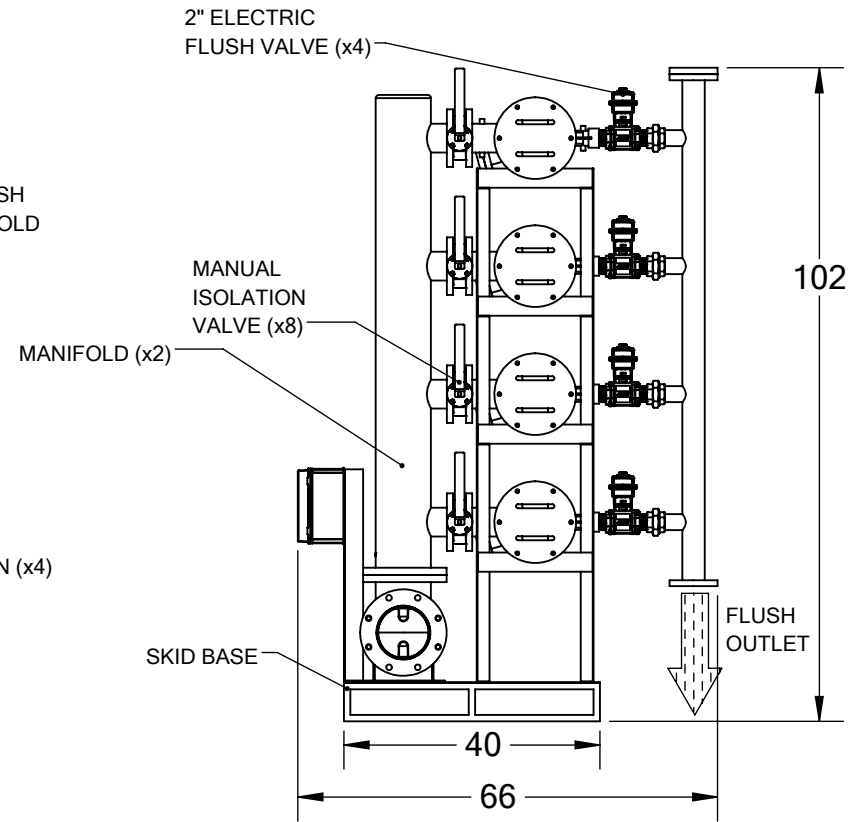


SIDE VIEW



TOP VIEW

REVISIONS				
REV.	ZONE	DESCRIPTION	DATE	INITIAL



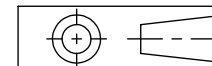
FRONT VIEW

- NOTES:
1. MINI-FILTERS, D/P SWITCH, HARDWARE, HYDRAULIC & ELECTRICAL CONNECTIONS NOT SHOWN.
 2. ELECTRIC CONTROLLER MAY BE MOUNTED ELSEWHERE ON SKID BASE & VARY IN SIZE.
 3. ACTUAL VALVES & CONNECTING PIPES USED MAY DIFFER SLIGHTLY AND BE ORIENTED DIFFERENTLY.
 4. DIMENSIONS ARE APPROXIMATES AND MAY VARY SLIGHTLY.
 5. NUMBER OF BRACES MAY VARY.
 6. SERVICE AREAS NOT TO SCALE.

TOLERANCES (UNLESS OTHERWISE SPECIFIED)

FRAC. $\pm 1/16$
 .X $\pm .1$
 .XX $\pm .05$
 .XXX $\pm .010$

ANGLE $\pm 1^\circ$



MATERIAL: VARIES

DRAWN BY: M. SERRANO

DATE: 04/01/21

SCALE: 1:30 **SHEET:** 1 OF 1



TITLE: 4x ABW4-XLP FILTERS ON SKID UNIT LAYOUT DRAWING

DRAWING NUMBER SKID-4ABW-4XLP-LAY-01	REV N/A
--	-------------------