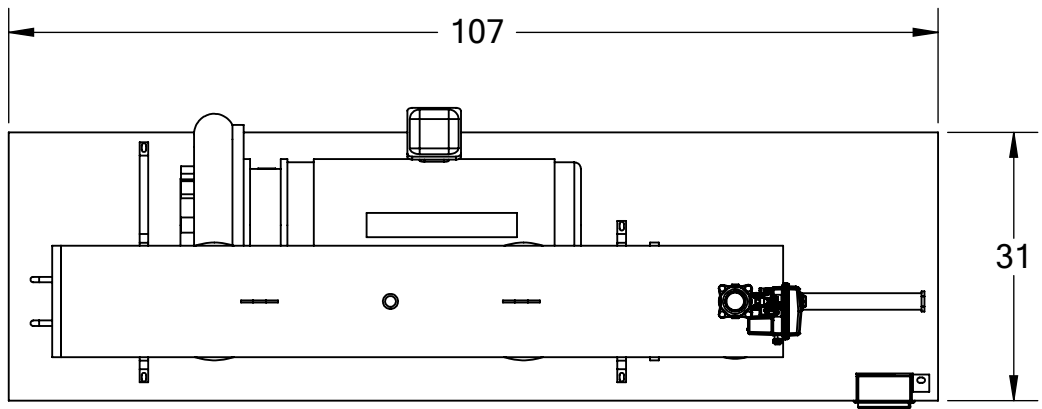
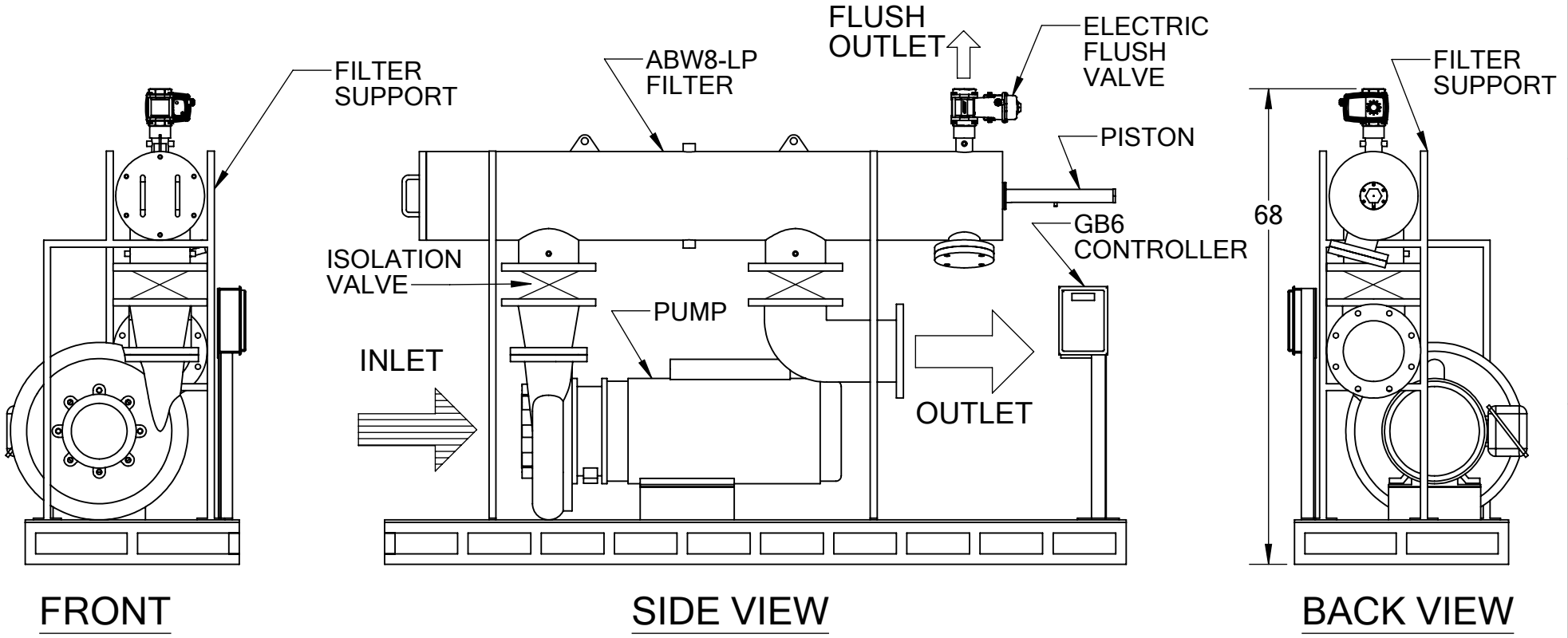


REVISIONS				
REV.	ZONE	DESCRIPTION	DATE	INITIAL



TOLERANCES (UNLESS OTHERWISE SPECIFIED)	
FRAC. $\pm 1/16$	ANGLE $\pm 1^\circ$
.X $\pm .1$	
.XX $\pm .05$	
.XXX $\pm .010$	



MATERIAL: VAIRES	TITLE: LAYOUT FOR ABW8-LP ON SKID UNIT WITH PUMP AND ELECTRIC FLUSH VALVE	
DRAWN BY: J. KAWAMOTO	DRAWING NUMBER	REV
DATE: 07/19/2013	SKID-ABW-8LP-LAY-01	N/A
SCALE: 1:22	SHEET: 1 OF 1	