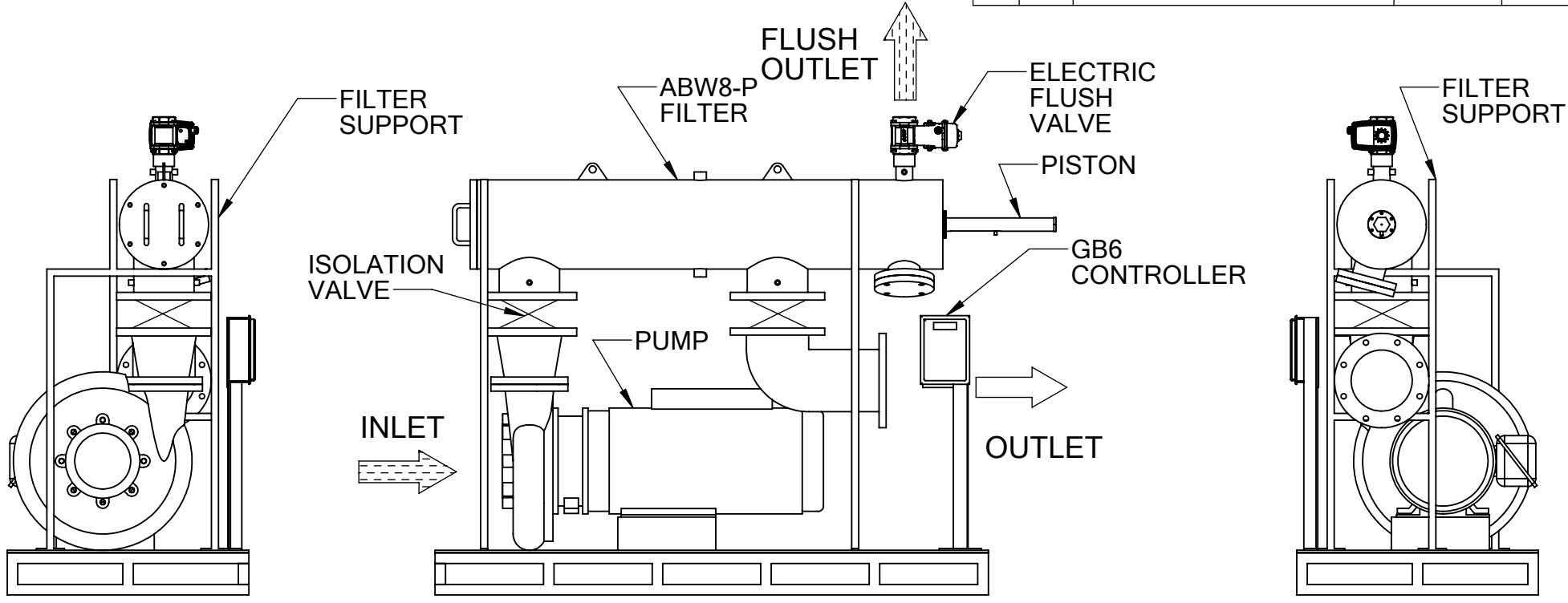


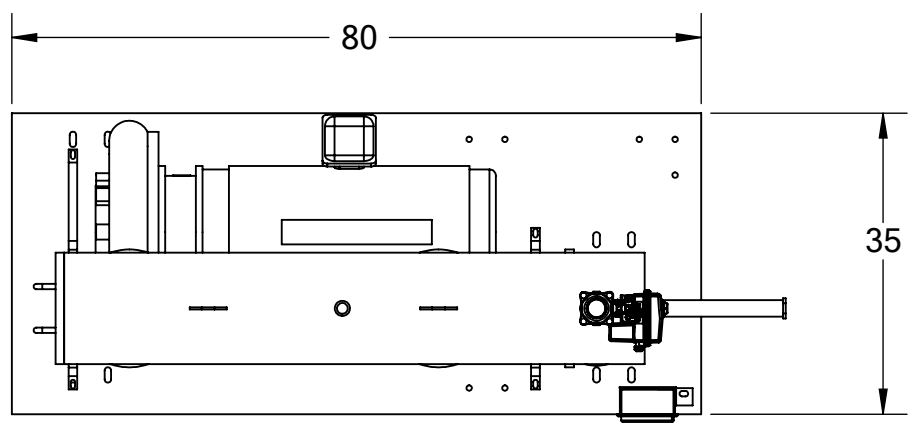
REVISIONS				
REV.	ZONE	DESCRIPTION	DATE	INITIAL



FRONT

SIDE VIEW

BACK VIEW



TOP VIEW

<p>TOLERANCES (UNLESS OTHERWISE SPECIFIED)</p> <p>FRAC. $\pm 1/16$ ANGLE $\pm 1^\circ$</p> <p>.X $\pm .1$</p> <p>.XX $\pm .05$</p> <p>.XXX $\pm .010$</p>		
<p>MATERIAL: SST 304</p>		
<p>DRAWN BY: M. SERRANO</p>		<p>TITLE: LAYOUT FOR ABW8-P ON SKID UNIT WITH PUMP AND ELECTRIC FLUSH VALVE</p>
<p>DATE: 08/20/2018</p>		
<p>SCALE: 1:22</p>	<p>SHEET: 1 OF 1</p>	