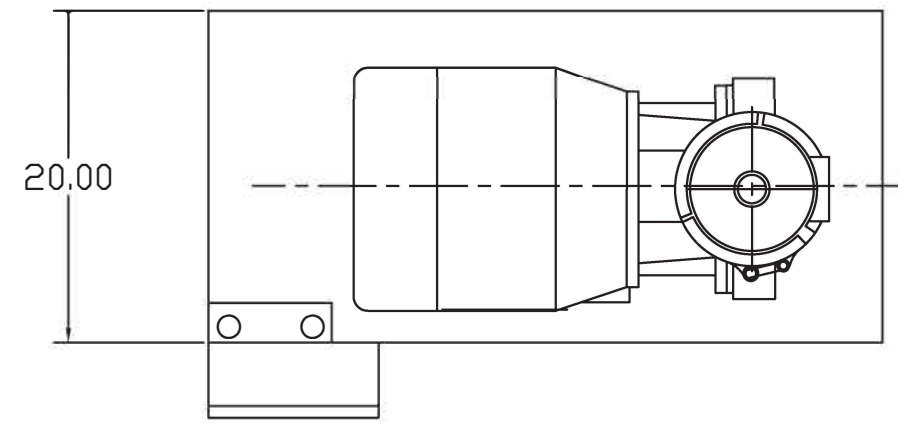
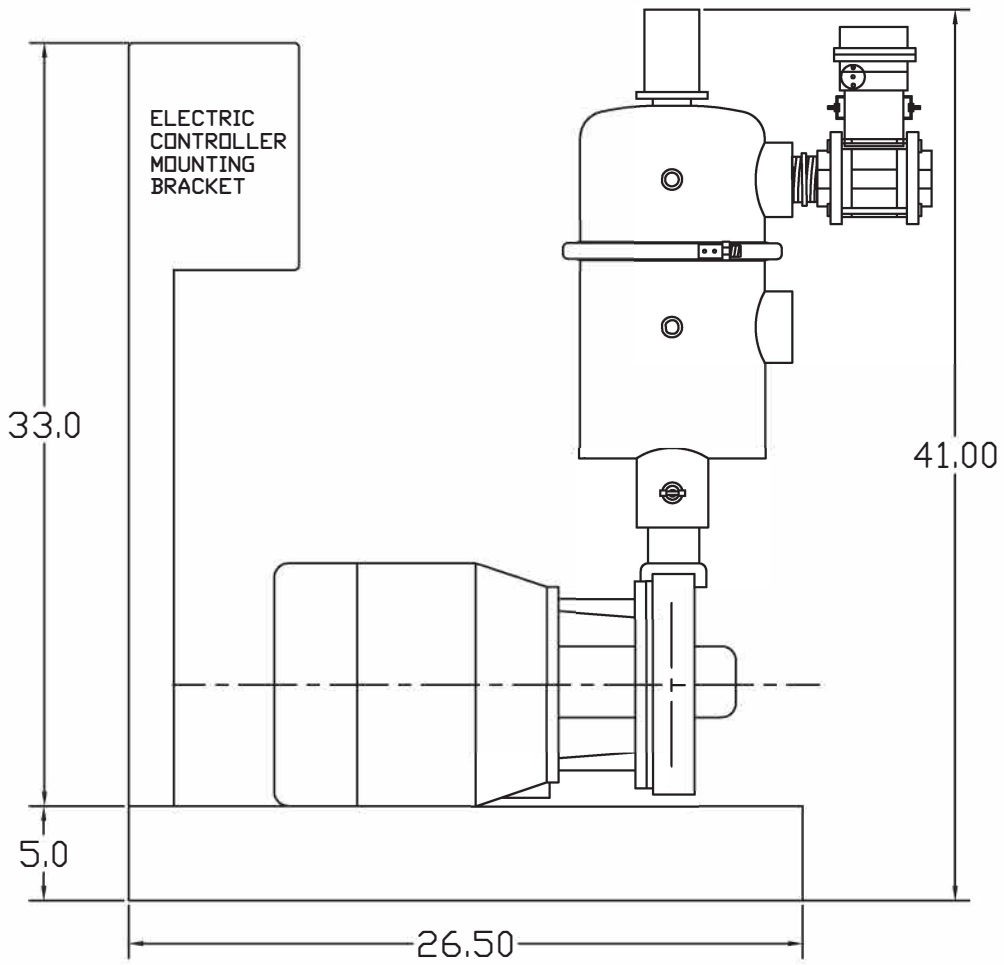



REVISIONS				
ZONE	REV	DESCRIPTION	DATE	APPROVED



FLOWRATE: MAX. 200GPM  
 DESIGN PRESS: 150PSI  
 DESIGN TEMP: 160°F  
 PUMP POWER: 5HP  
 WEIGHT: 200LBS

UNLESS OTHERWISE SPECIFIED DIMENSIONS ARE IN INCHES TOLERANCES DECIMALS ANGULAR .XX ± .05 ± 0.5 DEG. .XXX ± .01				
DRAWN JORDEN KAWAMOTO	DATE 01/28/14	TITLE MTF2L FILTER W/ EBV, GB6, AND ELECTRIC MOTOR MOUNTED ON SKID UNIT		
CHECKED		SIZE A	DWG NO. SKID-MTF2L-CUT-01N/A	REV N/A
DESIGN		Not To Scale		SHEET OF