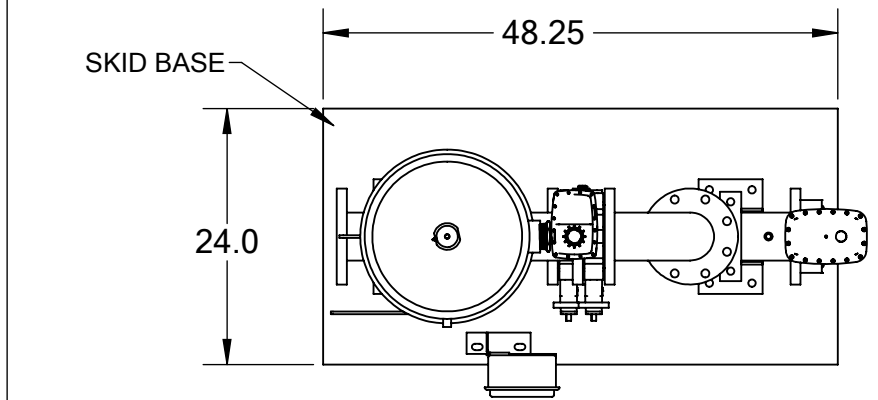
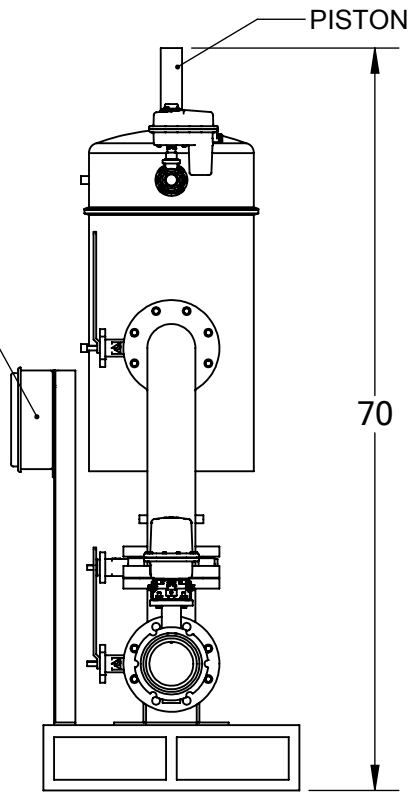


FRONT VIEW



TOP VIEW

REVISIONS				
REV.	ZONE	DESCRIPTION	DATE	INITIAL



SIDE VIEW

NOTES:

1. D/P SWITCH, HYDRAULIC TUBING, MINI-FILTERS, AND ELECTRICAL CONNECTIONS NOT SHOWN.
2. DIMENSIONS ARE APPROXIMATES AND MAY VARY SLIGHTLY.
3. MANIFOLDS, SKID UNIT, AND SUPPORT BRACKETS CAN BE DESIGNED BASED ON CUSTOMER SPECIFICATIONS.
4. VALVES SHOWN ARE GENERIC AND MAY VARY SLIGHTLY FROM WHAT IS ACTUALLY USED.

TOLERANCES (UNLESS OTHERWISE SPECIFIED)

FRAC. $\pm 1/16$	ANGLE $\pm 1^\circ$
.X $\pm .1$	
.XX $\pm .05$	
.XXX $\pm .010$	



MATERIAL:	VARIES
DRAWN BY:	M. SERRANO
DATE:	12/04/20
SCALE:	1:18
SHEET:	1 OF 1

TITLE: LAYOUT FOR MTF4-XL FILTER ON A SKID UNIT, WITH PRESSURE SUSTAINING VALVE	
DRAWING NUMBER	REV
SKID-MTF4-XL-LAY-04	N/A