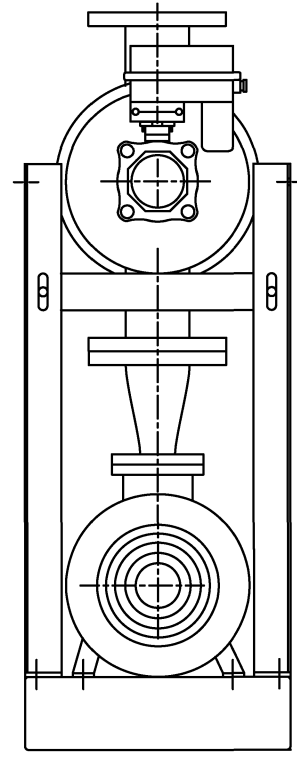
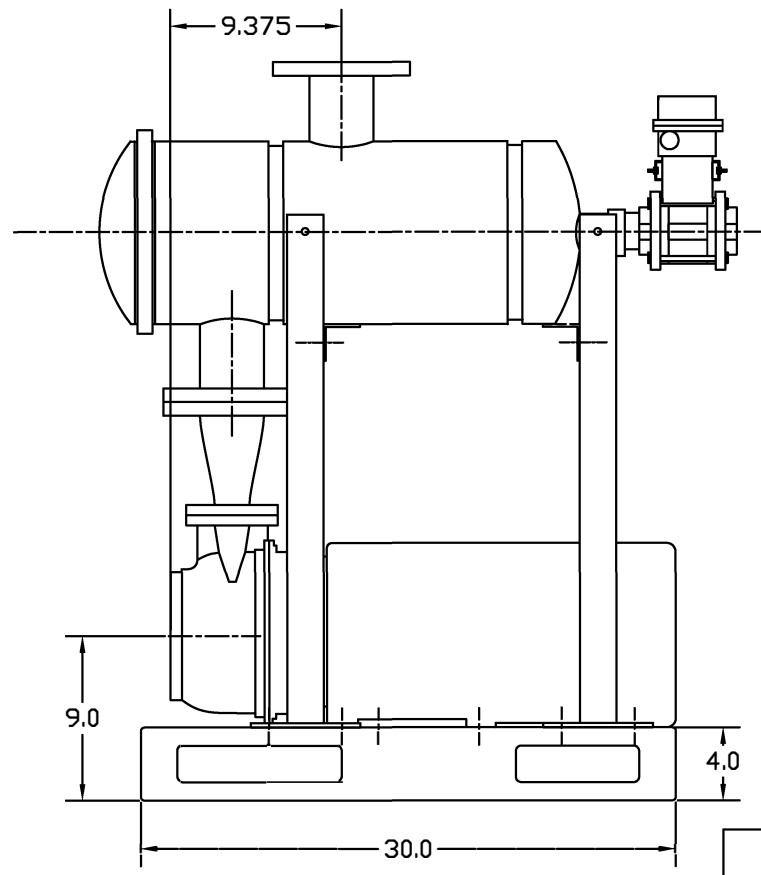
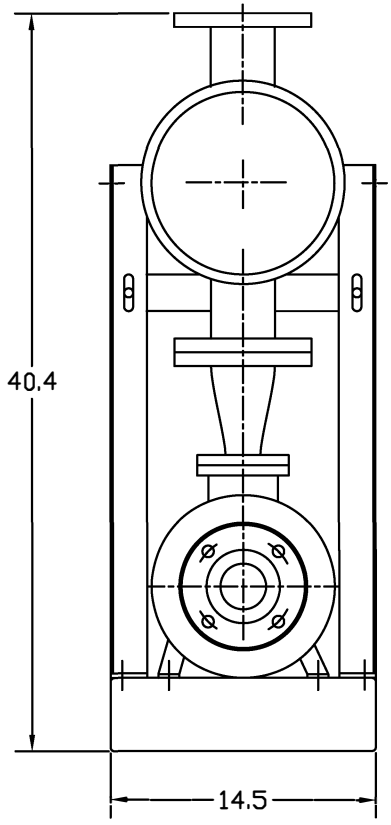
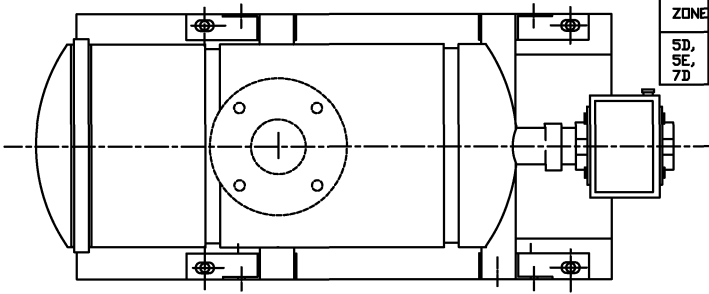



1 2 3 4 5 6 7 8

REVISIONS				
ZONE	REV	DESCRIPTION	DATE	APPROVED
5D, 5E, 7D	1	REPLACED HYDRAULIC VALVE WITH ELECTRIC BALL VALVE.	11/22/10	S.P.



FLOWRATE: MAX 250 GPM
 MAX. PRESS: 125 PSI
 PUMP POWER: 5-10 HP
 WEIGHT: 200 LBS

UNLESS OTHERWISE SPECIFIED DIMENSIONS ARE IN INCHES TOLERANCES			
DECIMALS	ANGULAR		
.XX ± .05	± 0.5 DEG.	TITLE	
.XXX ± .01		□BF3-I SKID UNIT	
DRAWN	DATE	SIZE	DWG NO.
DMITRIY POLISHCHUK	9-12-03	A	AF-SKID-□BF3I
CHECKED			REV
			1
DESIGN		NOT TO SCALE	
		SHEET 1 OF 1	