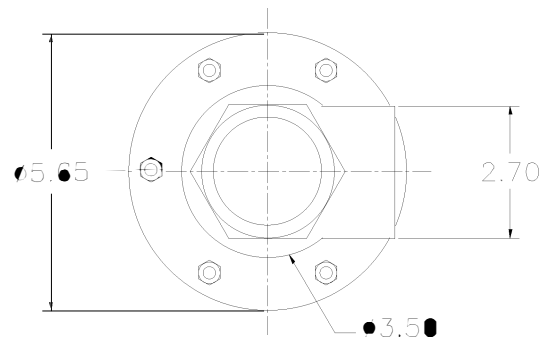
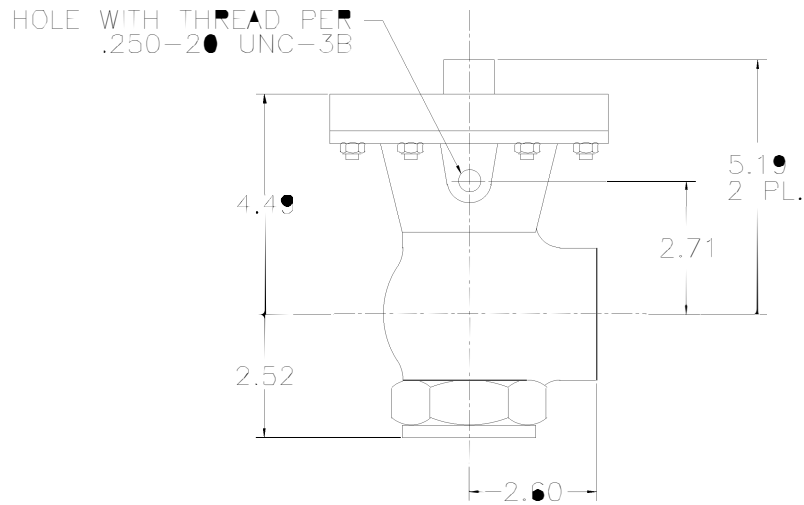
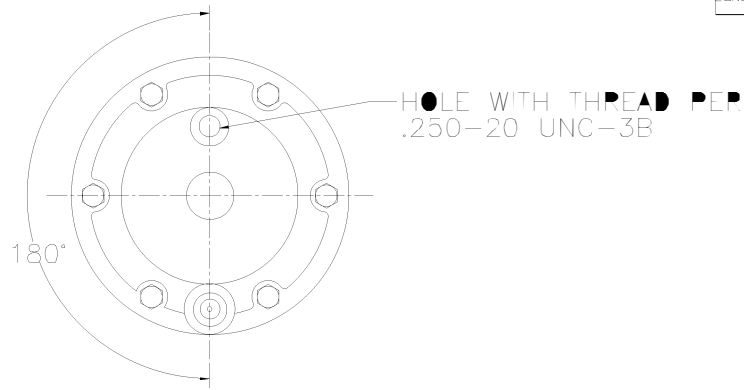


REVISIONS				
ZONE	REV	DESCRIPTION	DATE	APPROVED



UNLESS OTHERWISE SPECIFIED
 DIMENSIONS ARE IN INCHES
 TOLERANCES
 DECIMALS ANGULAR
 .XX ± .05 ± .05 DEG.
 .XXX ± .01

DRAWN	DATE
Joe H. Ji	5/22/12
CHECKED	
DESIGN	

TITLE	
2" FLUSH VALVE	
SIZE	DWG NO.
▲	2VALVE
REV	●
SHEET 1 OF 1	