

Engineering Specification

Job Name _____

Contractor _____

Job Location _____

Approval _____

Engineer _____

Contractor's P.O. No. _____

Approval _____

Representative _____

Cast Carbon or Stainless Steel Flanged End Simplex Basket Strainers

Models: 126F-CS & 126F-SS, Class 300
Sizes: 3/4"– 18" (20 – 450mm)

Strainers provide economical protection for costly pumps, meters, valves, and other similar mechanical equipment by straining foreign matter from the connected piping system. Installation of a strainer before mechanical equipment can ensure trouble free service and avoid costly shutdowns for repair or replacement of equipment damaged by foreign matter. The size of the perforation or mesh in the basket screen will determine the smallest particles captured. See Strainer Information section of Mueller Steam Specialty Engineering binder for detailed information including sizes and materials available.



Model 126F

Pressure/Temperature–Non-Shock

Model	Material	Rating
126F-CS	Carbon Steel	740psi @ -20°F to 100°F, 51.1bar @ 38°C 320psi @ 850°F, 22.0 bar @ 454°C
126F-SS	Stainless Steel	720psi @ -20°F to 100°F, 49.6 bar @ 38°C 420psi @ 850°F, 29.0 bar @ 454°C

All units with knob type enclosure rated at 200psi.

Typical Service

- These strainers can be specified for many applications in chemical processes, including brine, paint, fuel oil, organic and inorganic chemicals, as well as condensers and heat exchangers, to name just a few.

Features

- Designed for large capacity straining and ease of maintenance.
- Bolted cover standard on all sizes.
- Quick-opening knobs available to minimize service time.
- Machined basket seat eliminates particle bypass.

Construction

- Flat gasket, bolted cover
- Plugged NPT connection is provided at location D. See next page.

Capacity

- Large baskets with high Open Area Ratios.
With standard units:

- Up to 4" - Minimum 6:1 (600%) Open Area Ratio
- 5" and Up - Minimum 5:1 (500%) Open Area Ratio

Special Coatings and Treatments

- Epoxy and other corrosion resistant coatings are available, consult factory.
- Pickling and passivation are available on Stainless Steel, consult factory.

Steam Jacketing

- Available on request, consult factory.

NOTICE

The information contained herein is not intended to replace the full product installation and safety information available or the experience of a trained product installer. You are required to thoroughly read all installation instructions and product safety information before beginning the installation of this product.

Mueller Steam Specialty product specifications in U.S. customary units and metric are approximate and are provided for reference only. For precise measurements, please contact Mueller Steam Specialty Technical Service. Mueller Steam Specialty reserves the right to change or modify product design, construction, specifications, or materials without prior notice and without incurring any obligation to make such changes and modifications on Mueller Steam Specialty products previously or subsequently sold.



A WATTS Brand

Baskets

STANDARD (Water)				STEAM RECOMENDATION	
MODEL	SIZES	MATERIAL	OPENING	MATERIAL	OPENING
126F-CS	3/4" - 4"	304SS	.062 perf	304SS	.045 perf
126F-SS	5" & Up	304SS	.125 perf	Consult Factory	

Material

PART		CARBON STEEL	STAINLESS STEEL
1	Body	Carbon Steel ASTM A216 Gr. WCB	Stainless Steel ASTM A351 CF8M
2	Cover	Carbon Steel ASTM A216 Gr. WCB	Stainless Steel ASTM A351 CF8M
3	Basket	Stainless Steel 304	Stainless Steel 304
4	Basket Gasket	SS Tanged Graphite	SS Tanged Graphite
5	Cover Gasket	SS Tanged Graphite	SS Tanged Graphite
6	Studs	A193-B7	A193-B8M
7	Nuts	A-194-2H	A194-B8
8	Plug	Carbon Steel	Stainless Steel

**"B" dimension includes the floor supports on 4" size & larger.

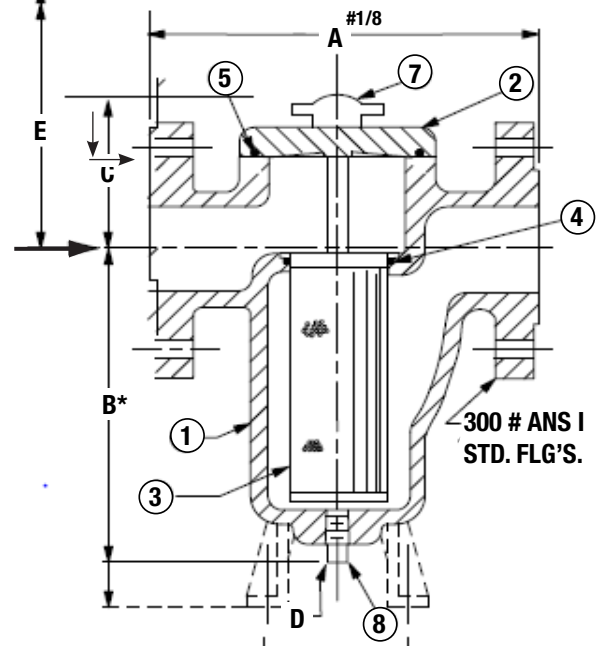
Pressure Drop

See Pressure Drop Charts in Technical Data section of Mueller Steam Specialty Engineering binder.

Dimensions and Weights

SIZE		DIMENSIONS										WEIGHT	
		A		B		C		D		E			
		(NPT)										Carbon Steel & SS	
		Screen Removal										lbs. kgs.	
in.	mm	in.	mm	in.	mm	in.	mm	in.	mm	in.	mm	lbs.	kgs.
3/4	20	6 ³ / ₁₆	157	4 ¹¹ / ₁₆	119	2 ³ / ₄	70	3 ⁸ / ₈	10	5 ⁷ / ₈	150	11	5
1	25	6 ³ / ₁₆	157	4 ¹¹ / ₁₆	119	2 ³ / ₄	70	3 ⁸ / ₈	10	5 ⁷ / ₈	150	11	5
1 ¹ / ₄	32	7 ⁷ / ₁₆	189	6 ¹ / ₂	165	3	76	1 ¹ / ₂	15	8 ¹ / ₈	206	19	8 ⁵ / ₈
1 ¹ / ₂	40	7 ⁷ / ₁₆	189	6 ¹ / ₂	165	3	76	1 ¹ / ₂	15	8 ¹ / ₈	206	19	8 ⁵ / ₈
2	50	9 ¹ / ₂	241	7 ⁷ / ₈	200	3 ⁵ / ₈	92	3 ³ / ₄	20	10 ¹ / ₈	257	29	13
2 ¹ / ₂	65	11	279	8 ³ / ₄	222	4	102	1	25	11 ⁷ / ₁₆	291	45	20
3	90	12 ¹ / ₂	318	11 ³ / ₈	289	4 ¹ / ₂	114	1	25	14 ³ / ₁₆	376	75	43
4	100	15 ⁷ / ₈	397	15 ⁷ / ₈	403	5 ³ / ₄	146	2	50	19 ⁷ / ₈	505	153	69
5	125	19 ¹ / ₄	489	18 ³ / ₈	467	7 ⁷ / ₁₆	189	1 ¹ / ₂	40	25 ⁹ / ₁₆	650	218	99
6	150	21 ¹ / ₈	537	22 ³ / ₈	568	8 ³ / ₁₆	208	2	50	29 ¹ / ₈	740	310	140
8	200	28 ³ / ₈	721	27 ³ / ₄	705	9 ³ / ₁₆	233	2	50	29 ¹ / ₈	740	555	252
10	250	30 ⁷ / ₈	784	35 ⁵ / ₁₆	897	12 ⁷ / ₁₆	316	2	50	50 ¹³ / ₁₆	1291	1282	581
12	300	35 ¹ / ₄	895	43 ⁷ / ₈	1114	10 ³ / ₄	273	2	50	61 ¹ / ₄	1556	1250	567
14	350	48 ⁵ / ₈	1235	34 ³ / ₈	873	20 ⁵ / ₈	524	2	50	69	1753	1722	781
16	400	48 ³ / ₄	1238	34 ³ / ₈	873	20 ¹ / ₁₆	510	2	50	69	1753	1814	823
18	450	51 ¹ / ₈	1299	58	1381	16	406	2	50	82	2083	3142	1425

REQ'D. FOR BASKET REMOVAL



Model 126F

Apply for Certified Drawings. Note - For Tefzel or

other polymer lined units:

- Add 1/4" to "A" dimension

- NPT drain not provided.

Limited Warranty: Mueller Steam Specialty warrants each product to be free from defects in material and workmanship under normal usage for a period of one year from the date of original shipment. In the event of such defects within the warranty period, the Company will, at its option, replace or recondition the product without charge. This shall constitute the sole and exclusive remedy for breach of warranty, and the Company shall not be responsible for any incidental, special or consequential damages, including without limitation, lost profits or the cost of repairing or replacing other property which is damaged if this product does not work properly, other costs resulting from labor charges, delays, vandalism, negligence, fouling caused by foreign material, damage from adverse water conditions, chemical, or any other circumstances over which the Company has no control. This warranty shall be invalidated by any abuse, misuse, misapplication or improper installation of the product. **THIS WARRANTY IS IN LIEU OF ALL OTHER WARRANTIES, EXPRESS OR IMPLIED, INCLUDING ANY IMPLIED WARRANTIES OF MERCHANTABILITY OR FITNESS FOR A PARTICULAR PURPOSE.** Any implied warranties that are imposed by law are limited in duration to one year.

Some States do not allow limitations on how long an implied warranty lasts, and some States do not allow the exclusion or limitation of incidental or consequential damages. Therefore the above limitations may not apply to you. This Limited Warranty gives you specific legal rights, and you may have other rights that vary from State to State. You should consult applicable state laws to determine your rights.



A WATTS Brand