

Models: 185FAB-B, 186FAB-B

Job Name _____

Contractor _____

Job Location _____

Approval _____

Engineer _____

Contractor's P.O. No. _____

Approval _____

Representative _____

Fabricated Flanged End Basket Strainers

Models: 185FAB-B, 186FAB-B
Sizes: 2" – 24"

PRESSURE/TEMPERATURE-NON-SHOCK	
MODEL	RATING
185FAB-B	285psi @ 100°F
	150psi @ 565°F
186FAB-B	740psi @ 100°F
	582psi @ 565°F

185FAB-B Class 150
186FAB-B Class 300

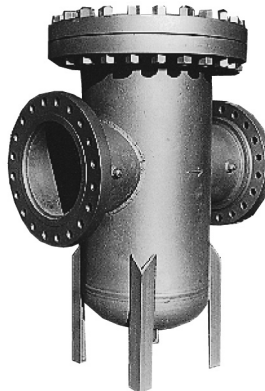
Units available for higher pressure and temperature classes.
 Max. Temp. can be limited by gasket material. Consult factory.

Typical Service

- Mueller Steam Specialty fabricated strainers are designed to remove foreign particles from pipelines.
- These provide effective and economical protection of pumps, valves, and similar more costly equipment.

Construction

- Standard Class 150 and Class 300 units available.
- Butt-weld or Slip-on Flange connections.
- ANSI Class 600 available Butt-weld, Weld-neck flange, Ring Joint connections available.
- ASME code stamp available.



Models 185FAB-B, 186FAB-B

Baskets

- Standard material is 304SS.
- Specify other alloy material if required.
- Specify perforation and mesh size for proper particle retention.
- Consider maximum allowable pressure drop when specifying.

General

- See Screen and Basket Options for a partial listing of available options and specification guidelines. "B" signifies a bolted cover; "Q" signifies a quick opening cover.
- Consult factory for specific application information.
- See Specifying Fabricated Strainers page in the Mueller Steam Specialty Engineering binder for guidelines.

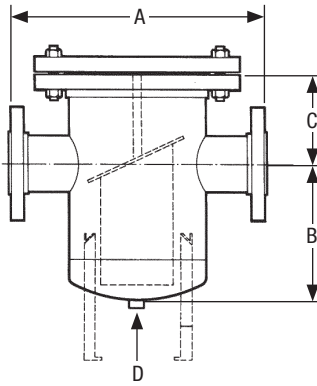
NOTICE

The information contained herein is not intended to replace the full product installation and safety information available or the experience of a trained product installer. You are required to thoroughly read all installation instructions and product safety information before beginning the installation of this product.

Mueller Steam Specialty product specifications in U.S. customary units and metric are approximate and are provided for reference only. For precise measurements, please contact Mueller Steam Specialty Technical Service. Mueller Steam Specialty reserves the right to change or modify product design, construction, specifications, or materials without prior notice and without incurring any obligation to make such changes and modifications on Mueller Steam Specialty products previously or subsequently sold.



Dimensions and Weights



Models 185FAB-B, 186FAB-B

SIZE	DIMENSIONS										WEIGHT					
	A		B		C		D		CLASS 150		CLASS 300					
	CLASS 150	CLASS 300			CLASS 150	CLASS 300		(NPT)	CLASS 150	CLASS 300	CLASS 150	CLASS 300	CLASS 150	CLASS 300	CLASS 150	CLASS 300
in.	in.	mm	in.	mm	in.	mm	in.	mm	in.	mm	lbs.	kgs.	lbs.	kgs.	lbs.	kgs.
2	18	457	18	457	6	152	4	102	4	102	1 1/2	40	100	45	110	50
3	20	508	20	508	8	203	6	152	6	152	1 1/2	40	120	54	190	86
4	26	660	26	660	10	254	8	203	8	203	1 1/2	40	200	91	300	136
6	28	711	28	711	15	381	10	254	10	254	1 1/2	40	325	147	550	249
8	30	762	30	762	20	508	14	356	14	356	1 1/2	40	525	238	825	374
10	32	813	32	813	22	559	16	406	16	406	1 1/2	40	690	313	1300	590
12	34	864	34	864	26	660	16	406	16	406	2	50	1000	454	1750	794
14	40	1016	40	1016	28	711	18	457	18	457	2	50	1200	544	2000	907
16	44	1118	44	1118	30	762	20	508	20	508	2	50	1650	748	-	-
18	44	1118	44	1118	36	914	22	559	22	559	2	50	1750	793	-	-
20	44	1118	44	1118	40	1016	24	610	24	610	2	50	1850	839	-	-
24	50	1270	50	1270	49	1245	29	737	29	737	2	50	3125	1417	-	-

Apply for certified drawings. Larger sizes available. Consult factory.

Limited Warranty: Mueller Steam Specialty warrants each product to be free from defects in material and workmanship under normal usage for a period of one year from the date of original shipment. In the event of such defects within the warranty period, the Company will, at its option, replace or recondition the product without charge. This shall constitute the sole and exclusive remedy for breach of warranty, and the Company shall not be responsible for any incidental, special or consequential damages, including without limitation, lost profits or the cost of repairing or replacing other property which is damaged if this product does not work properly, other costs resulting from labor charges, delays, vandalism, negligence, fouling caused by foreign material, damage from adverse water conditions, chemical, or any other circumstances over which the Company has no control. This warranty shall be invalidated by any abuse, misuse, misapplication or improper installation of the product. **THIS WARRANTY IS IN LIEU OF ALL OTHER WARRANTIES, EXPRESS OR IMPLIED, INCLUDING ANY IMPLIED WARRANTIES OF MERCHANTABILITY OR FITNESS FOR A PARTICULAR PURPOSE.** Any implied warranties that are imposed by law are limited in duration to one year.

Some States do not allow limitations on how long an implied warranty lasts, and some States do not allow the exclusion or limitation of incidental or consequential damages. Therefore the above limitations may not apply to you. This Limited Warranty gives you specific legal rights, and you may have other rights that vary from State to State. You should consult applicable state laws to determine your rights.



A WATTS Brand