

Engineering Specification

Job Name _____

Contractor _____

Job Location _____

Approval _____

Engineer _____

Contractor's P.O. No. _____

Approval _____

Representative _____

Cast Steel & Alloy Flanged End Basket Strainers

Models: 185, Class 150
186, Class 300
Sizes: 1 1/2" – 20" (40 – 500mm)

Strainers provide economical protection for costly pumps, meters, valves, and other similar mechanical equipment by straining foreign matter from the connected piping system. Installation of a strainer before mechanical equipment can ensure trouble free service and avoid costly shutdowns for repair or replacement of equipment damaged by foreign matter. The size of the perforation or mesh in the basket screen will determine the smallest particles captured. See Strainer Information section of Mueller Steam Specialty Engineering binder for detailed information including sizes and materials available.

Typical Service

- These rugged strainers can be specified for many applications in chemical processes, including brine, paint, fuel oil, organic and inorganic chemicals, as well as condensers and heat exchangers, to name just a few.
- They are especially suited for medium or coarse straining. For finer straining, see Model 125F-CS or 126F-CS.

Features

- The angular cutaway design of the baskets allows a straight through flow, resulting in extremely low pressure drop.
- Tapped and plugged NPT drain on the strainer bottom enables easy self-cleaning on open bottom baskets. Simply open the valve or plug on the outlet to flush accumulated particles.
- Bodies can be tapped for pressure gauges, or per customer requirement, consult factory.

Construction

- Cover is a flanged bolted design for easy basket removal.



Models 185, 186

Pressure/Temperature-Non-Shock

Model	Material	Rating
185	Carbon Steel	285psi @ -20°F to 100°F
		19.65 bar @ 37.78°C
		150psi @ 565°F
185	Chrome Molly	10.34 bar @ 296.11°C
		290psi @ -20°F to 100°F
		19.99 bar @ 37.78°C
186	Carbon Steel	150psi @ 565°F
		10.34 bar @ 296.11°C
		740psi @ -20°F to 100°F
186	Chrome Molly	51.02 bar @ 37.78°C
		320psi @ 850°F
		22.06 bar @ 454.44°C
186	Carbon Steel	750psi @ -20°F to 100°F
		51.71 bar @ 37.78°C
		485psi @ 850°F
186	Chrome Molly	33.44 bar @ 454.44°C

Max. temp. can be limited by gasket material. Consult factory.

Baskets

MODEL	SIZES	STANDARD (WATER)		STEAM RECOMMENDATION	
		MATERIAL	OPENING	MATERIAL	OPENING
185, 186	1 1/2" – 4"	304SS	.062 perf	304SS	.045 perf
185, 186	5" and Up	304SS	.125 perf	Consult Factory	

NOTICE

The information contained herein is not intended to replace the full product installation and safety information available or the experience of a trained product installer. You are required to thoroughly read all installation instructions and product safety information before beginning the installation of this product.



Mueller Steam Specialty™

Mueller Steam Specialty product specifications in U.S. customary units and metric are approximate and are provided for reference only. For precise measurements, please contact Mueller Steam Specialty Technical Service. Mueller Steam Specialty reserves the right to change or modify product design, construction, specifications, or materials without prior notice and without incurring any obligation to make such changes and modifications on Mueller Steam Specialty products previously or subsequently sold.

A WATTS Brand

Capacity

- Large bodies and generous sized baskets.
- Minimum 6 to 1 ratio.

Special Coating and Treatments

- Epoxy and other corrosion resistant coatings are available on Carbon Steel, consult factory.

Steam Jacketing

Available on request, consult factory.

Dimensions and Weights

SIZE		DIMENSIONS						WEIGHT	
		A		B		C		D (NPT)	
in.	mm	in.	mm	in.	mm	in.	mm	in.	mm
185									
1½"	40	6½	165	4⅞	105	4	102	½	15
2"	50	8½	216	5⅞	149	4¾	121	½	15
2½"	65	8	203	5⅞	138	4¼	108	¾	20
3"	80	8¾	222	5¼	133	5½	140	¾	20
4"	100	11⅞	284	7⅞	200	6	152	1	25
5"	125	12¼	311	10¼	260	5⅞	143	1	25
6"	150	13⅞	352	12½	318	5⅞	148	1¼	32
8"	200	17⅞	441	15⅞	384	8	203	1½	40
10"	250	22	549	16	406	10⅞	264	1½	40
12"	300	25	635	23¾	603	12⅞	314	2	50
14"	350	47⅞	1197	34⅞	873	20⅞	513	2	50
16"	400	47⅞	1197	34⅞	873	20⅞	513	2	50
18"	450	34	864	36	914	16¼	413	2	50
20"	500	36¾	934	40⅞	1038	17	432	2	50
186									
1½"	40	7	178	4⅞	105	4	102	½	15
2"	50	8½	216	5⅞	149	4¾	121	½	15
2½"	65	8⅞	221	5⅞	138	4¼	108	¾	20
3"	80	9⅞	243	5¼	133	5½	140	¾	20
4"	100	11¾	298	7⅞	200	6	152	1	25
5"	125	13⅞	333	10¼	260	5⅞	143	1	25
6"	150	14¾	375	12½	318	5⅞	148	1¼	32
8"	200	18⅞	460	15⅞	384	8	203	1½	40
10"	250	22⅞	581	16	406	10⅞	264	1½	40
12"	300	25⅞	645	23¾	603	12⅞	314	2	50
14"	350	47⅞	1197	34⅞	873	20⅞	513	2	50
16"	400	47⅞	1197	34⅞	873	20⅞	513	2	50
18"	450	35⅞	905	36	914	16¼	413	2	50
20"	500	38⅞	975	40⅞	1038	17	432	2	50

Apply For Certified Drawings.

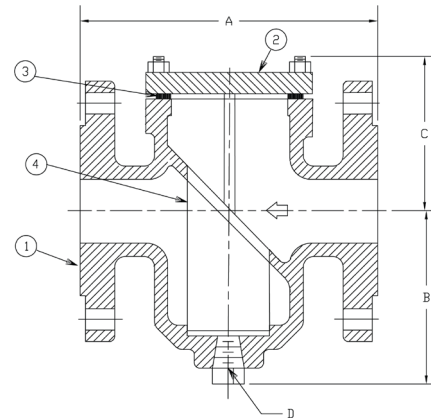
Larger sizes available.

Limited Warranty: Mueller Steam Specialty warrants each product to be free from defects in material and workmanship under normal usage for a period of one year from the date of original shipment. In the event of such defects within the warranty period, the Company will, at its option, replace or recondition the product without charge. This shall constitute the sole and exclusive remedy for breach of warranty, and the Company shall not be responsible for any incidental, special or consequential damages, including without limitation, lost profits or the cost of repairing or replacing other property which is damaged if this product does not work properly, other costs resulting from labor charges, delays, vandalism, negligence, fouling caused by foreign material, damage from adverse water conditions, chemical, or any other circumstances over which the Company has no control. This warranty shall be invalidated by any abuse, misuse, misapplication or improper installation of the product. **THIS WARRANTY IS IN LIEU OF ALL OTHER WARRANTIES, EXPRESS OR IMPLIED, INCLUDING ANY IMPLIED WARRANTIES OF MERCHANTABILITY OR FITNESS FOR A PARTICULAR PURPOSE.** Any implied warranties that are imposed by law are limited in duration to one year.

Some States do not allow limitations on how long an implied warranty lasts, and some States do not allow the exclusion or limitation of incidental or consequential damages. Therefore the above limitations may not apply to you. This Limited Warranty gives you specific legal rights, and you may have other rights that vary from State to State. You should consult applicable state laws to determine your rights.



A WATTS Brand



Models 185, 186

Material

	185	186
Body	Cast Carbon Steel ASTM A216-WCB	Cast Carbon Steel ASTM A216-WCB
Cover	A516-70 Plate	A516-70 Plate
Gasket	Compressed Fiber	Compressed Fiber
Basket	304 SS	304 SS

Also available in Chrome-Moly ASTM A217 Grades WC6, WC9

Pressure Drop

- See Pressure Drop Charts in Technical Data section of the Mueller Steam Specialty Engineering binder.