

## For Liquid and Steam Service

Job Name \_\_\_\_\_

Contractor \_\_\_\_\_

Job Location \_\_\_\_\_

Approval \_\_\_\_\_

Engineer \_\_\_\_\_

Contractor's P.O. No. \_\_\_\_\_

Approval \_\_\_\_\_

Representative \_\_\_\_\_

# LEAD FREE\*

## Series LF777S, LFS777S Wye-Pattern Lead Free\* Bronze Strainers

Sizes: 1/2" – 4"

Series LF777S, LFS777S Wye-Pattern Lead Free\* Bronze Strainers are designed to protect system components from dirt, rust and other damaging debris in the piping system. This series features a retainer cap tapped for closure plug. The LF777S and LFS777S feature Lead Free\* construction to comply with Lead Free\* installation requirements.

### Features

- Lead Free\* cast copper silicon alloy body
- Wye-pattern
- Retainer cap tapped for closure plug

### Models

**LF777S** 1/2" – 4" threaded connections

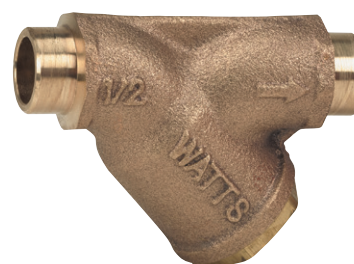
**LFS777S** 1/2" – 2" solder connections

### Specifications

A wye-pattern Lead Free\* bronze strainer to be installed as indicated on the plans. Lead Free\* Wye-Pattern Cast copper silicon alloy Strainers shall be constructed using Lead Free\* materials. Lead Free LF777S and LFS777S shall comply with state codes and standards, where applicable, requiring reduced lead content. The strainer must have retainer cap tapped for closure plug. Strainer shall be rated to 400psi (27.6 bar) WOG @ 210°F (99°C); 125psi (8.6 bar) WSP @ 353°F (178°F) for sizes 1/2" – 3" and 300psi (20.7 bar) WOG @ 210°F (99°C); 125psi (8.6 bar) @ 353°F (178°C) for size 4". Strainer shall be a Watts Series LF777S (threaded ends) or LFS777S (solder ends).



LF777S



LFS777S

### NOTICE

The information contained herein is not intended to replace the full product installation and safety information available or the experience of a trained product installer. You are required to thoroughly read all installation instructions and product safety information before beginning the installation of this product.

### NOTICE

Inquire with governing authorities for local installation requirements

\*The wetted surface of this product contacted by consumable water contains less than 0.25% of lead by weight.

Watts product specifications in U.S. customary units and metric are approximate and are provided for reference only. For precise measurements, please contact Watts Technical Service. Watts reserves the right to change or modify product design, construction, specifications, or materials without prior notice and without incurring any obligation to make such changes and modifications on Watts products previously or subsequently sold.

**FLTR**  
Purple Engineering

**WATTS**<sup>®</sup>

## Materials

- Body: Lead Free\* cast copper silicon alloy  
 Retainer Cap: 1/2": Lead Free\* copper silicon alloy  
 3/4" – 4": Lead Free\* cast copper silicon alloy  
 Cap Gasket: 1/2" – 2": EPDM  
 Other sizes consult factory  
 Standard Screen: 1/2" – 2 1/2": 304 stainless steel #20 mesh,  
 3": 3/64" (1.2mm) 304 stainless steel perforated screen  
 4": 1/8" (3mm) 304 stainless steel perforated screen

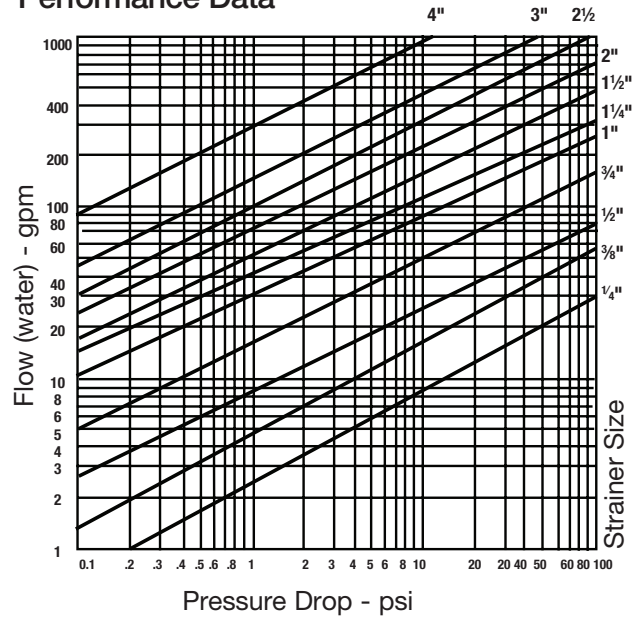
## Pressure – Temperature

- Maximum Working Pressure:  
 1/2" – 3"  
 400psi (27.6 bar) WOG @ 210°F (99°C)  
 125psi (8.6 bar) WSP @ 353°F (178°F)  
 4"  
 300psi (20.7 bar) WOG @ 210°F (99°C)  
 125psi (8.6 bar) WSP @ 353°F (178°F)

## Screen Options

- 304 Stainless Steel Wire Mesh Liners: (#30, #40, #60, #80, #100)  
 304 Stainless Steel Perforated Screens: (1/32", 3/64", 1/16", 1/8", 3/16", 1/4")  
 Consult factory for ordering codes

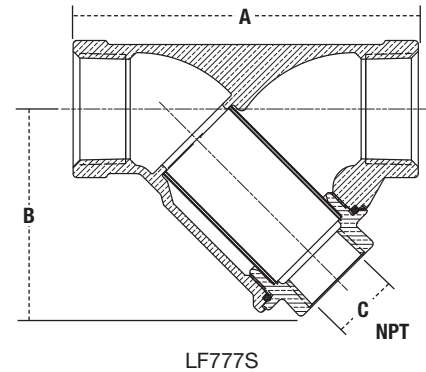
## Performance Data



## Dimensions – Weights

### LF777S

SIZE		DIMENSIONS				WEIGHT		
in.	in.	mm	in.	mm	in. (NPT)	mm	lbs.	kgs
1/4	2 1/16	68	1 11/16	43	3/8	10	1.7	0.77
3/8	2 1/16	68	1 11/16	43	3/8	10	1.7	0.77
1/2	3	76	2	51	3/8	10	1.7	0.77
3/4	3 5/16	84	2 5/16	59	1/2	15	1.7	0.77
1	4 1/2	114	2 9/16	59	3/4	20	2.7	1.22
1 1/4	5 1/8	130	3 3/8	79	3/4	20	3.0	1.36
1 1/2	5 7/8	149	3 3/4	95	1	25	4.0	1.81
2	6 3/16	157	4 7/8	124	1 1/4	32	7.4	3.36
2 1/2	8 1/8	206	4 15/16	125	1 1/4	32	12.0	5.44
3	10 1/8	257	6 11/16	170	1 1/2	40	24.0	10.90
4	13	325	10 1/2	267	1 1/2	40	41.0	18.60



### LFS777S

SIZE		DIMENSIONS				WEIGHT		
in.	in.	mm	in.	mm	in. (NPT)	mm	lbs.	kgs
1/2	3 3/8	86	2 1/16	52	3/8	10	1.5	0.68
3/4	3 3/4	95	2 9/16	65	1/2	15	1.6	0.73
1	5	127	3	76	3/4	20	2.5	1.13
1 1/4	5 5/8	143	3 3/4	82	3/4	20	2.8	1.25
1 1/2	6 1/16	164	3 13/16	97	1	25	4.0	1.81
2	7 1/2	191	4 5/8	118	1 1/4	32	7.4	3.39

