

## Engineering Specification

Job Name \_\_\_\_\_

Contractor \_\_\_\_\_

Job Location \_\_\_\_\_

Approval \_\_\_\_\_

Engineer \_\_\_\_\_

Contractor's P.O. No. \_\_\_\_\_

Approval \_\_\_\_\_

Representative \_\_\_\_\_

# Cast Bronze Sil-Braze Ends Y Strainers

**Model: 352-1/2MM, Class 125**  
**Sizes: 1/4" - 4" (6 - 100mm)**



**352-1/2MM Sil-Braze ends**

### Typical Service

- Used to strain foreign matter from pipelines and provide economical protection for costly pumps, meters, valves, and other similar mechanical equipment.

### Features

- Machined seats in both body and cap align and lock the screen in place to stop sediment bypass.
- 352-1/2 conforms to Military specifications.
- 352-1/2 conforms to the latest revision of BuShip Drawing 80064-810-841499.
- All sizes of 352-1/2 are furnished grooved less rings.

### Self-Cleaning

- Self-cleaning is accomplished by opening the plug or valve connected to the blowoff outlet.

### Blowoff Outlets

- Outlets are NPT tapped.
- Sizes of tapping are specified on next page.
- Not normally furnished with plug. Plug is available, specify with order.
- BuShip Drawing strainers are supplied without blowoff outlets.

### Capacity

- Generously proportioned bodies.
- Open Area Ratio much greater than pipe size, ensuring low pressure drop.

### Pressure/Temperature - Non-Shock

Model	Material	Rating
352 1/2	Bronze	250psi @ 425°F 17.2 bar @ 218°C

### Screens

Model	Sizes	Standard (Water)		Steam Recommendation	
		Material	Opening	Material	Opening
352-1/2M	1/4" - 2"	304SS	20 mesh	304SS	.033 perf
352-1/2M	2 1/2" - 4"	304SS	.062 perf	304SS	.033 perf

### NOTICE

The information contained herein is not intended to replace the full product installation and safety information available or the experience of a trained product installer. You are required to thoroughly read all installation instructions and product safety information before beginning the installation of this product.

Mueller Steam Specialty product specifications in U.S. customary units and metric are approximate and are provided for reference only. For precise measurements, please contact Mueller Steam Specialty Technical Service. Mueller Steam Specialty reserves the right to change or modify product design, construction, specifications, or materials without prior notice and without incurring any obligation to make such changes and modifications on Mueller Steam Specialty products previously or subsequently sold.



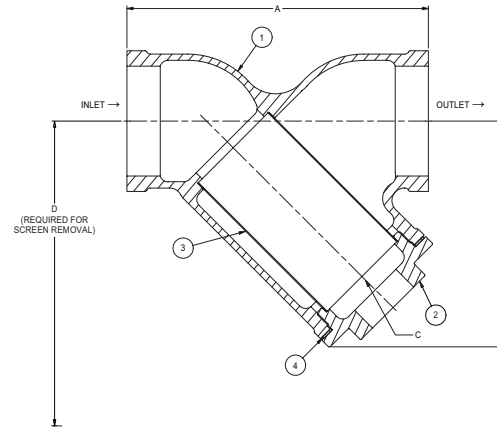
**A WATTS Brand**

## Materials

Item	QTY	Description	Material
1	1	Body	Bronze ASTM B61
2	1	Cap	Bronze ASTM B61
3	1	Screen	304 SS
4	1	Gasket	Copper

## Dimensions and Weights

SIZE		DIMENSIONS								WEIGHT	
		A		B		C (NPT)		D Screen Removal			
in.	mm	in.	mm	in.	mm	in.	mm	in.	mm	lbs.	kgs.
<b>352½Mm</b>											
¼	8	2 <sup>9</sup> / <sub>16</sub>	65	1 <sup>7</sup> / <sub>8</sub>	48	½	3	2 <sup>3</sup> / <sub>4</sub>	70	.75	.34
⅜	10	2 <sup>9</sup> / <sub>16</sub>	65	1 <sup>7</sup> / <sub>8</sub>	48	½	3	2 <sup>3</sup> / <sub>4</sub>	70	.75	.34
½	15	2 <sup>15</sup> / <sub>16</sub>	75	2 <sup>1</sup> / <sub>8</sub>	54	½	3	3	76	1	.45
¾	20	3 <sup>3</sup> / <sub>8</sub>	86	2 <sup>9</sup> / <sub>16</sub>	65	¼	6	4	102	1.75	.79
1	25	4 <sup>1</sup> / <sub>8</sub>	105	3 <sup>1</sup> / <sub>8</sub>	79	¼	6	4 <sup>1</sup> / <sub>2</sub>	114	2.5	1.1
1¼	32	4 <sup>13</sup> / <sub>16</sub>	122	3 <sup>1</sup> / <sub>8</sub>	90	⅜	10	5 <sup>1</sup> / <sub>2</sub>	140	4.25	1.9
1½	40	5 <sup>3</sup> / <sub>8</sub>	137	4 <sup>3</sup> / <sub>16</sub>	122	½	15	6 <sup>1</sup> / <sub>2</sub>	165	5.5	2.5
2	50	6 <sup>5</sup> / <sub>8</sub>	168	5 <sup>3</sup> / <sub>8</sub>	137	¾	20	8 <sup>1</sup> / <sub>4</sub>	210	8.25	3.7
2½	65	7 <sup>7</sup> / <sub>8</sub>	200	6 <sup>1</sup> / <sub>2</sub>	165	1	25	10	254	15.5	7
3	80	11 <sup>3</sup> / <sub>4</sub>	298	7	178	1	25	10 <sup>1</sup> / <sub>2</sub>	267	36	16
4	100	15 <sup>3</sup> / <sub>16</sub>	386	11 <sup>3</sup> / <sub>8</sub>	289	Blind Cover		16	406	90	41



**Model 352-½MM**

## Pressure Drop

- See Pressure Drop Charts in Technical Data Section of the Mueller Steam Specialty Engineering binder.

**Limited Warranty:** Mueller Steam Specialty warrants each product to be free from defects in material and workmanship under normal usage for a period of one year from the date of original shipment. In the event of such defects within the warranty period, the Company will, at its option, replace or recondition the product without charge. This shall constitute the sole and exclusive remedy for breach of warranty, and the Company shall not be responsible for any incidental, special or consequential damages, including without limitation, lost profits or the cost of repairing or replacing other property which is damaged if this product does not work properly, other costs resulting from labor charges, delays, vandalism, negligence, fouling caused by foreign material, damage from adverse water conditions, chemical, or any other circumstances over which the Company has no control. This warranty shall be invalidated by any abuse, misuse, misapplication or improper installation of the product. **THIS WARRANTY IS IN LIEU OF ALL OTHER WARRANTIES, EXPRESS OR IMPLIED, INCLUDING ANY IMPLIED WARRANTIES OF MERCHANTABILITY OR FITNESS FOR A PARTICULAR PURPOSE.** Any implied warranties that are imposed by law are limited in duration to one year.

Some States do not allow limitations on how long an implied warranty lasts, and some States do not allow the exclusion or limitation of incidental or consequential damages. Therefore the above limitations may not apply to you. This Limited Warranty gives you specific legal rights, and you may have other rights that vary from State to State. You should consult applicable state laws to determine your rights.



**A WATTS Brand**

