

Models: 581, 582

Job Name _____

Contractor _____

Job Location _____

Approval _____

Engineer _____

Contractor's P.O. No. _____

Approval _____

Representative _____

LEAD FREE*

Cast Carbon Steel Screwed and Socket Weld End Y Strainers

Models: 581, 582

Size: 1/4" - 2"



Model 581

PRESSURE/TEMPERATURE-NON-SHOCK		
MODEL	MATERIAL	RATING
581, 582	Carbon Steel	1480psi @ -20°F to 100°F 102.04 bar @ 37.8°C 1015psi @ 750°F 69.98 bar @ 389.89°C

581 screwed **Class 600**
582 socket weld **Class 600**

Features

- Machined seats in both body and cap align and lock the screen in place to stop sediment bypass.
- Machined seats facilitate alignment and accurate reseating after servicing.

Construction

- Straight threaded, gasketed cap is used for easy disassembly and assembly. Many others use Loctite, rendering disassembly virtually impossible.
- Heavy duty, rugged bodies with extra heavy bore.

Self-Cleaning

- Self-cleaning is accomplished by opening the plug or valve connected to the blowoff outlet

Blowoff Outlets

- Outlets are NPT tapped
- Sizes of tapping specified on next page
- Not normally furnished with plug. Plug available, specify with order.
- Blind caps are also available, specify with order.

Capacity

- Generously proportioned bodies
- Open Area Ratio much greater than pipe size, ensuring low pressure drop

Screens

MODEL	SIZES	STANDARD (WATER)		STEAM RECOMMENDATION	
		MATERIAL	OPENING	MATERIAL	OPENING
581, 582	1/4" - 2"	304SS	.062 perf	304SS	.033 perf

NOTICE

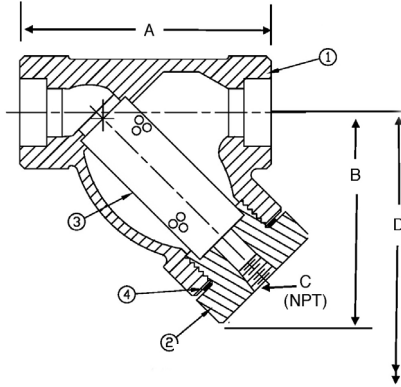
The information contained herein is not intended to replace the full product installation and safety information available or the experience of a trained product installer. You are required to thoroughly read all installation instructions and product safety information before beginning the installation of this product.

***The wetted surface of this product contacted by consumable water contains less than 0.25% of lead by weight.**

Mueller Steam Specialty product specifications in U.S. customary units and metric are approximate and are provided for reference only. For precise measurements, please contact Mueller Steam Specialty Technical Service. Mueller Steam Specialty reserves the right to change or modify product design, construction, specifications, or materials without prior notice and without incurring any obligation to make such changes and modifications on Mueller Steam Specialty products previously or subsequently sold.



Materials



Model 581

BILL OF MATERIAL MODELS 581, 582		
ITEM	DESCRIPTION	MATERIAL
1	BODY	Carbon Steel ASTM A216 Gr. WCB
2	CAP	Carbon Steel ASTM A216 Gr. WCB
3	SCREEN	304 SS
4	GASKET	Spiral Wound Graphite Filled
5	STUDS	A193 B7
6	NUTS	A194 2H

Pressure Drop

See Pressure Drop Charts in Technical Data section of the Mueller Steam Specialty Engineering binder. Cv values are noted in the Dimensions and Weights table below.

Dimensions and Weights

SIZE	DIMENSIONS						D		WEIGHT		Cv
	A		B		C (NPT)		Screen Removal		lbs.	kgs.	
in.	in.	mm	in.	mm	in.	mm	in.	mm			GPM
1/4	2 ¹⁵ / ₁₆	76	2 ³ / ₈	60	1/4	6	2 ¹ / ₂	64	2	.91	5
3/8	2 ¹⁵ / ₁₆	76	2 ³ / ₈	60	1/4	6	2 ¹ / ₂	64	2	.91	5
1/2	2 ¹⁵ / ₁₆	76	2 ³ / ₈	60	1/4	6	2 ¹ / ₂	64	2	.91	5
3/4	3 ¹ / ₁₆	95	2 ¹³ / ₁₆	72	3/8	10	3 ³ / ₈	86	3	1.36	12
1	4 ⁹ / ₁₆	117	3 ¹ / ₈	130	3/8	10	4 ³ / ₄	121	5	2.27	15
1 1/4	4 ¹⁵ / ₁₆	127	4	102	3/4	20	5 ¹ / ₄	133	6.8	3.08	27
1 1/2	5 ⁹ / ₁₆	143	4 ³ / ₄	121	3/4	20	6	152	9.8	4.45	30
2	6 ¹⁵ / ₁₆	178	6	152	1	25	7 ⁷ / ₈	194	15	6.8	62

Apply For Certified Drawings.

Limited Warranty: Mueller Steam Specialty warrants each product to be free from defects in material and workmanship under normal usage for a period of one year from the date of original shipment. In the event of such defects within the warranty period, the Company will, at its option, replace or recondition the product without charge. This shall constitute the sole and exclusive remedy for breach of warranty, and the Company shall not be responsible for any incidental, special or consequential damages, including without limitation, lost profits or the cost of repairing or replacing other property which is damaged if this product does not work properly, other costs resulting from labor charges, delays, vandalism, negligence, fouling caused by foreign material, damage from adverse water conditions, chemical, or any other circumstances over which the Company has no control. This warranty shall be invalidated by any abuse, misuse, misapplication or improper installation of the product. **THIS WARRANTY IS IN LIEU OF ALL OTHER WARRANTIES, EXPRESS OR IMPLIED, INCLUDING ANY IMPLIED WARRANTIES OF MERCHANTABILITY OR FITNESS FOR A PARTICULAR PURPOSE.** Any implied warranties that are imposed by law are limited in duration to one year.

Some States do not allow limitations on how long an implied warranty lasts, and some States do not allow the exclusion or limitation of incidental or consequential damages. Therefore the above limitations may not apply to you. This Limited Warranty gives you specific legal rights, and you may have other rights that vary from State to State. You should consult applicable state laws to determine your rights.



A **WATTS** Brand