

# Engineering Specification

Job Name \_\_\_\_\_  
 Job Location \_\_\_\_\_  
 Engineer \_\_\_\_\_  
 Approval \_\_\_\_\_

Contractor \_\_\_\_\_  
 Approval \_\_\_\_\_  
 Contractor's P.O. No. \_\_\_\_\_  
 Representative \_\_\_\_\_

## Cast Carbon & Alloy Steel Flanged & Butt Weld End Y Strainers

**Models: 782\*, Class 300**  
**782-WE\*, Class 300**  
**Sizes: 1/2"- 24" (15 - 600mm)**

\* The 782/782-WE supersedes model 762/762-WE. Model 762/762-WE available upon request

### Typical Service

- Used extensively to strain foreign matter from pipelines and provide economical protection for costly pumps, meters, valves, and other similar mechanical equipment.
- Especially important where weld debris is likely present in the pipeline.
- Well suited for long service in high pressure and temperature applications.

### Features

- Machined seats in both body and cap align and lock the screen in place to stop sediment bypass. Machined seats facilitate alignment and accurate reseating after servicing.

### Construction

- Designed for Class 300 specifications.
- Heavy gauge reinforced screens are used.
- IMPORTANT NOTE:
  - Model 782-WE ends are machined to match Schedule 40 pipe.
  - Other connections are available, consult factory.

### Self-Cleaning

- Self-cleaning is accomplished by opening the plug or valve connected to the blowoff outlet.

### Blowoff Outlets

- Blowoff outlets are NPT tapped at location C. See next page for NPT sizes.
- Blind covers are available, consult factory.

### Capacity

- Generously proportioned bodies.
- Open Area Ratio much greater than pipe size, ensuring low pressure drop.

Mueller Steam Specialty product specifications in U.S. customary units and metric are approximate and are provided for reference only. For precise measurements, please contact Mueller Steam Specialty Technical Service. Mueller Steam Specialty reserves the right to change or modify product design, construction, specifications, or materials without prior notice and without incurring any obligation to make such changes and modifications on Mueller Steam Specialty products previously or subsequently sold.



**Model 782**



**Model 782-WE**

Pressure/Temperature–Non-Shock		
Model	Material	Rating
782, 782WE	Carbon Steel	740psi @ -20°F to 100°F 51.02 bar @ 37.78°C 300psi @ 850°F 20.86 bar @ 454.44°C
782, 782WE	Chrome-Moly	750psi @ -20°F to 100°F 51.71 bar @ 37.78°C 485psi @ 850°F 33.44 bar @ 454.44°C

### Screens

MODEL	SIZES	STANDARD (WATER)		STEAM RECOMENDATION	
		MATERIAL	OPENING	MATERIAL	OPENING
All	1/2" - 4"	304SS	.062 perf	304SS	.033 perf
All	5" - 12"	304SS	.062 perf	304SS	.045 perf
All	14" and Up	304SS	.125 perf	304SS	.062 perf

### NOTICE

The information contained herein is not intended to replace the full product installation and safety information available or the experience of a trained product installer. You are required to thoroughly read all installation instructions and product safety information before beginning the installation of this product.



**A WATTS Brand**

## Material

782, 782-WE	
Body	Carbon Steel, ASTM A216 Grade WCB
Cover	Carbon Steel, ASTM A216 Grade WCB
Gasket	316SS Tang Graphite

## ALSO AVAILABLE:

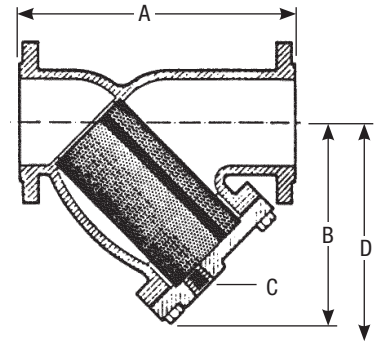
Body/Cap: Carbon-Moly ASTM A217 Gr. W1,  
 Chrome-Moly ASTM A217 Gr.  
 WC6, Chrome-Moly ASTM A217 Gr. WC9

## Pressure Drop

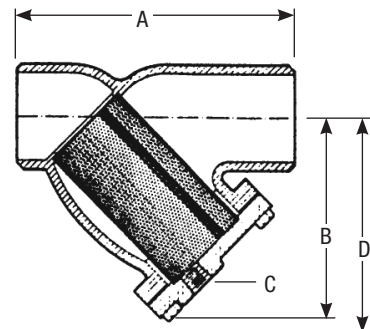
- See Pressure Drop Charts in Technical Data Section of the Mueller Steam Specialty Engineering binder.

## Dimensions and Weights

SIZE		DIMENSIONS						WEIGHT			
		A		B		C (NPT)		D Screen Removal			
in.	mm	in.	mm	in.	mm	in.	mm	in.	mm	lbs.	kgs.
<b>782</b>											
1/2	15	6 1/8	155	3 1/2	89	3/8	10	5	130	5.5	2.5
3/4	20	7 3/4	197	3 3/4	95	1/2	15	5	130	12.3	5.5
1	25	7 7/8	200	3 3/4	95	1/2	15	5	130	13	5.9
1 1/4	32	7 1/2	191	4 3/4	121	1/2	15	8	203	18.3	8.2
1 1/2	40	8 1/4	210	4 3/4	121	1/2	15	8	203	18	8.1
2	50	8 5/8	219	5 1/4	133	1/2	15	7	178	22	10
2 1/2	65	10 5/8	269	6 1/2	165	1	25	9 3/4	248	32	14.5
3	80	12	305	7	178	1	25	10	254	49	22
4	100	14 1/2	368	8 1/4	210	1 1/2	40	12	305	90	40
5	125	19 5/16	491	13 1/2	343	2	50	20	508	120	54.5
6	150	19 5/16	491	13 1/2	343	2	50	20	508	175	79
8	200	23 3/8	594	15 3/4	400	2	50	22 3/4	578	300	136
10	250	27 3/8	695	18 1/2	470	2	50	28	711	440	200
12	300	32	813	22 1/4	565	2	50	30	762	650	295
14	350	36	914	25	635	2	50	36 1/2	927	1365	619
16	400	41 1/16	1056	26 1/2	673	2	50	42	1067	1936	878
18	450	46	1168	34 7/8	886	2	50	50 7/8	1292	2576	1168
20	500	49 1/2	1257	39	991	2	50	55 3/8	1407	3111	1411
24	600	58 3/8	1483	44 1/16	1119	2	50	67 1/4	1708	5305	2406
<b>782-WE</b>											
1/2	15	6 5/8	168	3 1/2	89	3/8	10	5	130	3	1.3
3/4	20	8 5/16	211	3 3/4	95	1/2	15	5	130	9	4
1	25	8 5/16	211	3 3/4	95	1/2	15	5	130	9	4
1 1/4	32	10 1/8	260	5 1/4	133	1/2	15	8	203	12	5.4
1 1/2	40	10 1/4	279	5 1/4	133	1/2	15	8	203	13	5.9
2	50	8 5/8	219	5 1/4	133	1/2	15	7	178	10	4.5
2 1/2	65	10 5/8	269	6 1/2	165	1	25	9 3/4	248	14	6.3
3	80	12	305	7	178	1	25	10	254	20	9
4	100	14 1/2	368	8 1/4	210	1 1/2	40	12	305	40	18
5	125	16 3/8	416	11 1/4	286	2	50	20	508	80	36
6	150	19 5/16	491	13 1/2	343	2	50	20	508	90	40
8	200	23 3/8	594	15 3/4	400	2	50	22 3/4	578	168	76
10	250	27 3/8	695	18 1/2	470	2	50	28	711	250	113
12	300	32	813	22 1/4	565	2	50	30	762	440	200
14	350	36	914	25	635	2	50	36 1/2	927	1033	468
16	400	41 3/4	1060	26 1/2	673	2	50	42	1067	1520	639
18	450	46	1168	34 7/8	886	2	50	50 7/8	1292	2060	934
20	500	49 1/2	1257	39	991	2	50	55 3/8	1407	2471	1120
24	600	58 1/2	1486	44 1/16	1119	2	50	67 1/4	1708	4500	2040



Model 782



Model 782-WE

Apply For Certified Drawings.

**Limited Warranty:** Mueller Steam Specialty warrants each product to be free from defects in material and workmanship under normal usage for a period of one year from the date of original shipment. In the event of such defects within the warranty period, the Company will, at its option, replace or recondition the product without charge. This shall constitute the sole and exclusive remedy for breach of warranty, and the Company shall not be responsible for any incidental, special or consequential damages, including without limitation, lost profits or the cost of repairing or replacing other property which is damaged if this product does not work properly, other costs resulting from labor charges, delays, vandalism, negligence, fouling caused by foreign material, damage from adverse water conditions, chemical, or any other circumstances over which the Company has no control. This warranty shall be invalidated by any abuse, misuse, misapplication or improper installation of the product. **THIS WARRANTY IS IN LIEU OF ALL OTHER WARRANTIES, EXPRESS OR IMPLIED, INCLUDING ANY IMPLIED WARRANTIES OF MERCHANTABILITY OR FITNESS FOR A PARTICULAR PURPOSE.** Any implied warranties that are imposed by law are limited in duration to one year.

Some States do not allow limitations on how long an implied warranty lasts, and some States do not allow the exclusion or limitation of incidental or consequential damages. Therefore the above limitations may not apply to you. This Limited Warranty gives you specific legal rights, and you may have other rights that vary from State to State. You should consult applicable state laws to determine your rights.



A WATTS Brand