

Engineering Specification

Job Name _____

Contractor _____

Job Location _____

Approval _____

Engineer _____

Contractor's P.O. No. _____

Approval _____

Representative _____

Ball-Plex™ Cast Aluminum Bronze Flanged End Duplex Strainers

Models: 792FB, Class 150
794FB, Class 300
Sizes: 1"– 6" (25 – 150mm)

Strainers provide economical protection for costly pumps, meters, valves, and other similar mechanical equipment by straining foreign matter from the connected piping system. Installation of a strainer before mechanical equipment can ensure trouble free service and avoid costly shutdowns for repair or replacement of equipment damaged by foreign matter. The size of the perforation or mesh in the basket screen will determine the smallest particles captured. See Strainer information section of the Mueller Steam Specialty Engineering binder for detailed information including sizes and materials available.

Typical Service

- Duplex Strainers are designed for use in fluid handling systems where the flow cannot be shutdown for basket cleaning.
- Typical services include cooling water, compressors, condensers, fire lines, fuel lines, lubrication systems, salt and fresh water systems, chemical process systems, pump suction service, and more.
- Consider strainer body and screen material as well as gasket and seat materials for suitability for particular service.

Features

- Ball-Plex™ Duplex Strainers use 3-way balls as the diverter valves.
- Balls are 316SS for corrosion resistance, strength, and resistance to build-up of solids on the balls' surfaces.
- PTFE seats provide bubble-tight sealing, superior to metal seats in other designs. This eliminates potentially dangerous leakage into the chamber being cleaned.
- Two part body casting allows true and easy in-line service.
- After removal of the cover and basket, all working parts are easily accessible even with the unit in line.
- The handle covers the pressurized chamber. This prevents accidental opening of the pressurized chamber, and allows easy access to the chamber to be cleaned.

Mueller Steam Specialty product specifications in U.S. customary units and metric are approximate and are provided for reference only. For precise measurements, please contact Mueller Steam Specialty Technical Service. Mueller Steam Specialty reserves the right to change or modify product design, construction, specifications, or materials without prior notice and without incurring any obligation to make such changes and modifications on Mueller Steam Specialty products previously or subsequently sold.



Models 792FB, 794FB

Pressure/Temperature–Non-Shock		
Model	Material	Rating
792FB	Al-Brz	225psi @ -20°F to 150°F 15.51 bar @ 65.56°C 195psi @ 250°F 13.44 bar @ 121.11°C
794FB	Al-Brz	500psi @ -20°F to 150°F 34.47 bar @ 65.56°C 425psi @ 250°F 29.30 bar @ 121.11°C

Max. temp. can be limited by gasket and seat material. Consult factory.

STANDARD (WATER)			
MODEL	SIZES	MATERIAL	OPENING
792FB, 794FB	1" - 4"	304SS	.062 perf
792FB, 794FB	5" - 6"	304SS	.125 perf

Baskets

- Large Open Area Ratios ensure minimum pressure drop across the unit.
- See Technical Data Section of the Mueller Steam Specialty Engineering binder for Pressure Drop Charts.

NOTICE

The information contained herein is not intended to replace the full product installation and safety information available or the experience of a trained product installer. You are required to thoroughly read all installation instructions and product safety information before beginning the installation of this product.



A WATTS Brand

Material

792FB, 794FB	
Body	Aluminum Bronze ASTM B148
Cover	Aluminum Bronze ASTM B148
Seats	PTFE
O-Rings	Buna-N

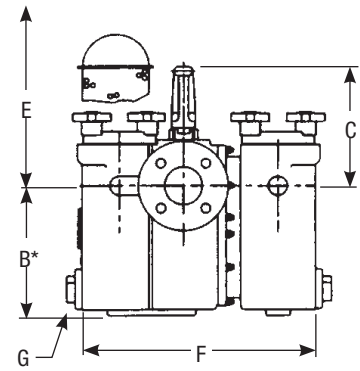
Dimensions and Weights

SIZE		DIMENSIONS							WEIGHT								
	A	B	C	D	E	F	G										
in.	mm	in.	mm	in.	mm	in.	mm	in.	mm	lbs.	kgs.						
792FB																	
1	25	6 ⁷ / ₈	175	4 ¹⁵ / ₁₆	125	4 ⁵ / ₈	118	10	254	7 ³ / ₄	197	10 ³ / ₁₆	259	3/4	20	35	15.8
1 ¹ / ₄	32	9 ⁷ / ₈	238	6 ³ / ₄	171	4 ³ / ₈	111	10	254	10 ³ / ₈	264	12 ³ / ₄	324	1 ¹ / ₄	32	65	29.4
1 ¹ / ₂	40	9 ⁷ / ₈	238	6 ³ / ₄	171	4 ³ / ₈	111	10	254	10 ³ / ₈	264	12 ³ / ₄	324	1 ¹ / ₄	32	65	29.4
2	50	10 ⁵ / ₈	270	8 ³ / ₁₆	208	7 ¹ / ₈	181	20	508	12 ⁵ / ₈	321	16 ³ / ₈	416	1 ¹ / ₂	40	118	53.5
2 ¹ / ₂	65	13 ¹ / ₂	343	12	305	8 ¹ / ₁₆	205	20	508	17 ²¹ / ₃₂	448	20 ³ / ₈	518	1 ¹ / ₂	40	249	112.9
3	80	13 ¹ / ₂	343	12	305	8 ¹ / ₁₆	205	20	508	17 ²¹ / ₃₂	448	20 ³ / ₈	518	1 ¹ / ₂	40	249	112.9
4††	100	16	406	16 ¹³ / ₁₆	427	15 ¹ / ₂	394	14+	356	23 ¹ / ₂	597	24 ¹ / ₂	622	1 ¹ / ₂	40	435	197.2
5††	125	22	559	18 ⁵ / ₈	473	17 ¹ / ₄	438	14+	356	25 ¹¹ / ₁₆	653	26 ¹ / ₄	667	1 ¹ / ₂	40	746	338.3
6††	150	22	559	18 ⁵ / ₈	473	17 ¹ / ₄	438	14+	356	25 ¹¹ / ₁₆	653	26 ¹ / ₄	667	1 ¹ / ₂	40	746	338.3
794FB																	
1	25	7 ¹ / ₈	181	4 ¹⁵ / ₁₆	125	4 ⁵ / ₈	118	10	254	7 ³ / ₄	197	10 ³ / ₁₆	259	3/4	20	40	18.1
1 ¹ / ₄	32	9 ⁷ / ₈	238	6 ³ / ₄	171	4 ³ / ₈	111	10	254	10 ³ / ₈	264	12 ³ / ₄	324	1 ¹ / ₄	32	70	31.7
1 ¹ / ₂	40	9 ⁷ / ₈	238	6 ³ / ₄	171	4 ³ / ₈	111	10	254	10 ³ / ₈	264	12 ³ / ₄	324	1 ¹ / ₄	32	70	31.7
2	50	10 ⁵ / ₈	270	8 ³ / ₁₆	208	7 ¹ / ₈	181	20	508	12 ⁵ / ₈	321	16 ³ / ₈	416	1 ¹ / ₂	40	120	54.4
2 ¹ / ₂	65	14 ¹ / ₄	362	12	305	8 ¹ / ₁₆	205	20	508	17 ²¹ / ₃₂	448	20 ³ / ₈	518	1 ¹ / ₂	40	260	117.9
3	80	14 ¹ / ₄	362	12	305	8 ¹ / ₁₆	205	20	508	17 ²¹ / ₃₂	448	20 ³ / ₈	518	1 ¹ / ₂	40	260	117.9
4††	100	16 ¹ / ₂	419	16 ¹³ / ₁₆	427	15 ¹ / ₂	394	14+	356	23 ¹ / ₂	597	24 ¹ / ₂	622	1 ¹ / ₂	40	450	204.0
5††	125	22 ⁷ / ₈	581	18 ⁵ / ₈	473	17 ¹ / ₄	438	14+	356	25 ¹¹ / ₁₆	653	26 ¹ / ₄	667	1 ¹ / ₂	40	675	306.1
6††	150	22 ⁷ / ₈	581	18 ⁵ / ₈	473	17 ¹ / ₄	438	14+	356	25 ¹¹ / ₁₆	653	26 ¹ / ₄	667	1 ¹ / ₂	40	675	306.1

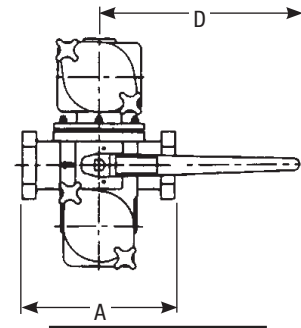
Apply For Certified Drawings.

+ 4", 5" and 6" units are standard with a gear operator. The handwheel dimension is 10".

†† 4", 5" and 6" units are standard with floor supports. Dimension "B" reflects this standard in those sizes.



* "B" dimension includes the floor supports when applicable



Models 792FB, 794FB

Limited Warranty: Mueller Steam Specialty warrants each product to be free from defects in material and workmanship under normal usage for a period of one year from the date of original shipment. In the event of such defects within the warranty period, the Company will, at its option, replace or recondition the product without charge. This shall constitute the sole and exclusive remedy for breach of warranty, and the Company shall not be responsible for any incidental, special or consequential damages, including without limitation, lost profits or the cost of repairing or replacing other property which is damaged if this product does not work properly, other costs resulting from labor charges, delays, vandalism, negligence, fouling caused by foreign material, damage from adverse water conditions, chemical, or any other circumstances over which the Company has no control. This warranty shall be invalidated by any abuse, misuse, misapplication or improper installation of the product. **THIS WARRANTY IS IN LIEU OF ALL OTHER WARRANTIES, EXPRESS OR IMPLIED, INCLUDING ANY IMPLIED WARRANTIES OF MERCHANTABILITY OR FITNESS FOR A PARTICULAR PURPOSE.** Any implied warranties that are imposed by law are limited in duration to one year.

Some States do not allow limitations on how long an implied warranty lasts, and some States do not allow the exclusion or limitation of incidental or consequential damages. Therefore the above limitations may not apply to you. This Limited Warranty gives you specific legal rights, and you may have other rights that vary from State to State. You should consult applicable state laws to determine your rights.



A WATTS Brand