

Inline Right Angle Vacuum Filters

CSL Series $\frac{3}{8}$ " - 4"

Overview

Solberg's CSL Series is designed to protect equipment from contaminants carried over from a variety of industrial processes. Ideal for rough-medium vacuum service, the CSL can be utilized in systems where standard duty flanges and threaded connections are acceptable. Multiple filter element media options offer superior protection and longevity for the vacuum system.

Benefits

- Large holding capacity and easy field cleaning, especially when mounted horizontally or inverted
- Low pressure design

Features

- Seamless drawn housings
- O-ring seal
- Corrosive resistant black powder coat carbon steel
- Stainless steel torsion clips for durability

Technical Specifications

- Vacuum Rating: medium vacuum service*
- Temp (continuous): min -26°C (-15°F) max 104°C (220°F)
- Filter change out differential: 37-50 mbar over initial ΔP
- Polyester: 99%+ removal efficiency standard to 5 micron
- Paper: 99%+ removal efficiency standard to 2 micron

Options



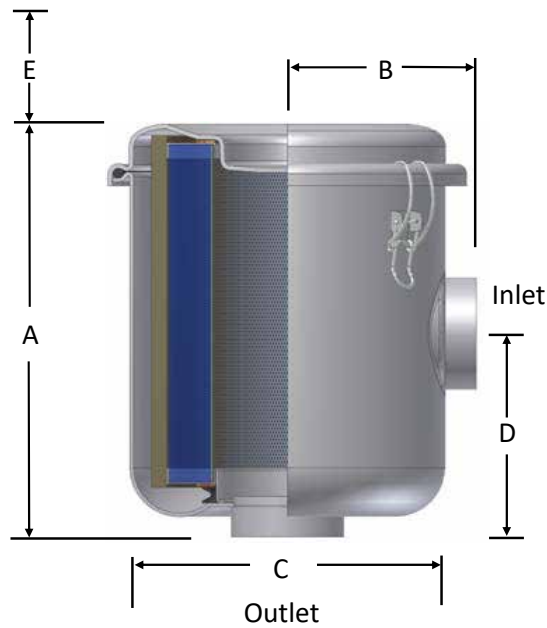
- Vacuum gauge
- Higher holding capacity configurations available (select models)
- Material/Finishes: stainless steel, epoxy coating
- Support brackets
- Alternative top-to-canister fastening system for low pressure or pulsating systems
- Stainless steel (select models)



Rev: EU2402C2

For more information:

WEB: FLTR.com.au PHONE: (+61) 1300 62 4020 EMAIL: info@FLTR.com.au SKYPE: Purple.Engineering



Inlet/Outlet Size	Type	Assembly m ³ /hr Rating	Assembly Part Number		Dimensions - mm				Suggested Service ht. E	Approx. Weight (kg)	Replacement Element Part No.		Element m ³ /hr Rating
			Polyester	Paper	A	B	C	D			Polyester	Paper	
3/8"	BSPP	31	CSL-825-039HCB	CSL-824-039HCB	90	54	95	46	76	0.40	825	824	43
1/2"	BSPP	31	CSL-825-051HCB	CSL-824-051HCB	93	57	95	49	76	0.40	825	824	43
1/2"	BSPP	34	CSL-843-051HCB	CSL-842-051HCB	109	77	146	62	83	1.4	843	842	94
3/4"	BSPP	41	CSL-825-076HCB	CSL-824-076HCB	91	58	95	50	76	0.40	825	824	43
3/4"	BSPP	43	CSL-843-076HCB	CSL-842-076HCB	111	78	146	63	83	1.4	843	842	94
1"	BSPP	60	CSL-843-101HCB	CSL-842-101HCB	115	83	146	67	83	1.4	843	842	94
1"	BSPP	68	CSL-849-101HCB	CSL-848-101HCB	176	105	187	108	133	2.3	849	848	196
1 1/4"	BSPP	94	CSL-843-126HCB	CSL-842-126HCB	114	83	146	67	83	1.4	843	842	94
1 1/4"	BSPP	102	CSL-849-126HCB	CSL-848-126HCB	171	105	187	108	133	2.3	849	848	196
1 1/2"	BSPP	136	CSL-849-151HCB	CSL-848-151HCB	170	105	187	109	133	2.3	849	848	196
2"	BSPP	298	CSL-851-201HCB	CSL-850-201HCB	258	114	222	127	235	6.8	851	850	493
2 1/2"	BSPP	357	CSL-851-251HCB	CSL-850-251HCB	271	130	222	140	235	6.8	851	850	493
3"	BSPP	510	CSL-239-301HCB	CSL-238-301HCB	360	184	337	182	279	15	239™	238™	969
3"	BSPT	510	CSL-2541-301B	CSL-2540-301B	391	216	305	216	305	14	2541	2540	1360
4"	BSPT	880	CSL-2541-401B	CSL-2540-401B	416	242	337	241	305	15	2541	2540	1360

*See Vacuum Filter Technical Data for Vacuum Service Data.

Rev: EU2402C2

For more information:

WEB: FLTR.com.au PHONE: (+61) 1300 62 4020 EMAIL: info@FLTR.com.au SKYPE: Purple.Engineering



Inline Right Angle Vacuum Filters

CSL Series 3" - 6", DN80 - DN300

Overview

Solberg's CSL Series is designed to protect equipment from contaminants carried over from a variety of industrial processes. Ideal for rough-medium vacuum service, the CSL can be utilized in systems where standard duty flanges and threaded connections are acceptable. Multiple filter element media options offer superior protection and longevity for the vacuum system.

Benefits

- Reduce piping costs with multiple mounting configurations (mount horizontal or inverted)
- Minimize equipment pressure-drop change with low pressure-drop filter design

Features

- Heavy duty T-bolts for easy maintenance
- Corrosive resistant black powder coat carbon steel
- O-ring stays in place with unique U-channel groove
- Inlet & outlet ¼" gauge taps
- Lifting lugs
- Brackets for optional support legs
- Nameplate bracket

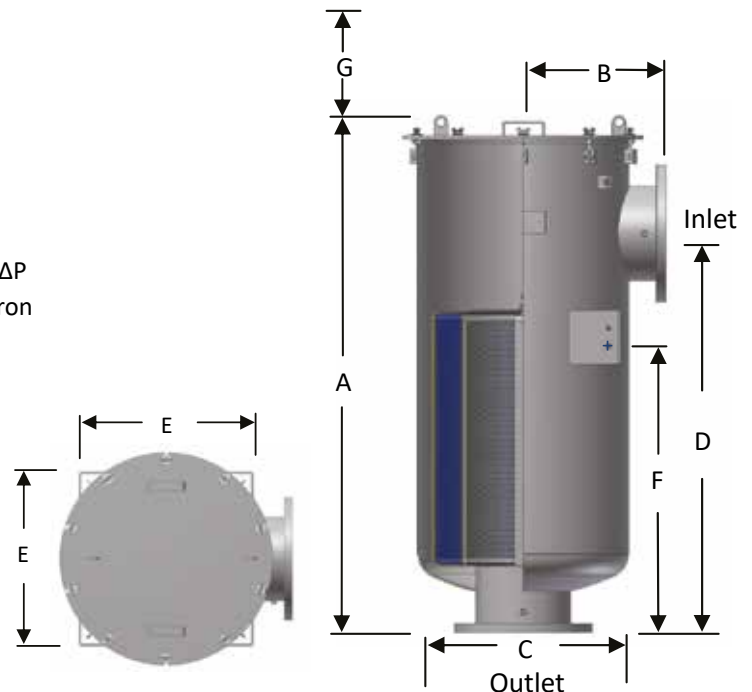
Technical Specifications

- Vacuum Rating: medium vacuum service*
- Filter change out differential: 37-50 mbar over initial ΔP
- Polyester: 99%+ removal efficiency standard to 5 micron
- Paper: 99%+ removal efficiency standard to 2 micron

Options



- Straight-through configurations
- Specialty filter media
- Stainless steel
- Various nonstandard finishes and connection styles
- ISO flange
- PN6, PN16 flange patterns
- Flange faces and internal surfaces free of paint
- Mounting housing bands



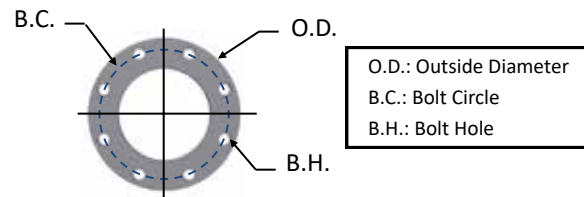
Rev: EU2402C2

Flanged Assemblies

Flange Inlet & Outlet	Assembly m ³ /hr Rating	Assembly Part Number		Dimensions - mm						Suggested Service ht. G	Approx. Weight (kg)	Replacement Element Part No.		Element m ³ /hr Rating
		Polyester	Paper	A	B	C	D	E	F			Polyester	Paper	
DN80	510	CSL-235P-DN80	CSL-234P-DN80	695	229	355	470	300	312	305	28	235P™	234P™	970
DN80	510	CSL-335P-DN80	CSL-334P-DN80	695	229	355	470	300	312	432	29	335P™	334P™	1360
DN100	885	CSL-235P-DN100	CSL-234P-DN100	695	229	355	470	300	312	305	28	235P™	234P™	970
DN100	885	CSL-335P-DN100	CSL-334P-DN100	695	229	355	470	300	312	432	29	335P™	334P™	1360
DN125	1360	CSL-245P-DN125	CSL-244P-DN125	730	279	470	495	377	347	305	40	245P™	244P™	1500
DN125	1360	CSL-345P-DN125	CSL-344P-DN125	730	279	470	495	377	347	432	41	345P™	344P™	1870
DN150	1870	CSL-275P-DN150	CSL-274P-DN150	755	305	470	521	377	365	305	50	275P™	274P™	1870
DN150	1870	CSL-375P-DN150	CSL-374P-DN150	755	305	470	521	377	365	432	51	375P™	374P™	2550
DN200	3060	CSL-377P-DN200	CSL-376P-DN200	973	356	572	648	484	464	432	83	377P™	376P™	3105
DN250	4930	CSL-385P-DN250	CSL-384P-DN250	1156	406	686	864	560	598	432	115	385P™	384P™	5610
DN300	7990	CSL-485P-DN300	CSL-484P-DN300	1156	406	686	864	560	642	610	125	485P™	484P™	8000
DN250	4930	CSL-685P-DN250	CSL-384P(2)-DN250 ⁺	1480	406	686	1143	560	820	787	171	685P™	384P™(2) ⁺	11220
DN300	8415	CSL-685P-DN300	CSL-384P(2)-DN300 ⁺	1480	406	686	1143	560	820	787	171	685P™	384P™(2) ⁺	11220
DN300	8415	CSL-485P(2)-DN300 ⁺	CSL-484P(2)-DN300 ⁺	1785	406	686	1448	560	547	610	209	485P™(2) ⁺	484P™(2) ⁺	16000

⁺Denotes 2 elements stacked in housing.

PN10 Pattern Flange	Dimensions - mm			No. of Holes	Flange Thickness mm
	O.D.	B.C.	B.H.		
DN80	200	160	18	8	20
DN100	220	180	18	8	22
DN125	250	210	18	8	22
DN150	285	240	22	8	24
DN200	340	295	22	8	24
DN250	395	350	22	12	26
DN300	445	400	22	12	26



All flanges are oriented "split center".

BSPT Assemblies

BSPT Inlet & Outlet	Assembly m ³ /hr Rating	Assembly Part Number		Dimensions - mm						Suggested Service ht. G	Approx. Weight (kg)	Replacement Element Part No.		Element m ³ /hr Rating
		Polyester	Paper	A	B	C	D	E	F			Polyester	Paper	
3"	510	CSL-235P-301	CSL-234P-301	695	229	355	470	300	312	305	21	235P™	234P™	970
3"	510	CSL-335P-301	CSL-334P-301	695	229	355	470	300	312	432	23	335P™	334P™	1360
4"	885	CSL-235P-401	CSL-234P-401	695	229	355	470	300	312	305	23	235P™	234P™	970
4"	885	CSL-335P-401	CSL-334P-401	695	229	355	470	300	312	432	25	335P™	334P™	1360
5"	1360	CSL-245P-501	CSL-244P-501	730	279	470	495	377	347	305	37	245P™	244P™	1500
5"	1360	CSL-345P-501	CSL-344P-501	730	279	470	495	377	347	432	40	345P™	344P™	1870
6"	1870	CSL-275P-601	CSL-274P-601	755	305	470	521	377	365	305	43	275P™	274P™	1870
6"	1870	CSL-375P-601	CSL-374P-601	755	305	470	521	377	365	432	44	375P™	374P™	2550

*See Vacuum Filter Technical Data for vacuum service data and sizing guidelines.

Rev: EU2402C2

For more information:

WEB: FLTR.com.au PHONE: (+61) 1300 62 4020 EMAIL: info@FLTR.com.au SKYPE: Purple.Engineering

