

Inline Straight Through Vacuum Filters

CT Series 1" - 6"

Features

- Compact design for space restrictions; min. service area
- Inlet above element for extended element life & maintenance intervals
- Corrosive resistant cast aluminum top with machined connections and integrated baffle design
- T-style design minimizes piping requirements
- Black powder coat carbon steel drop down bucket

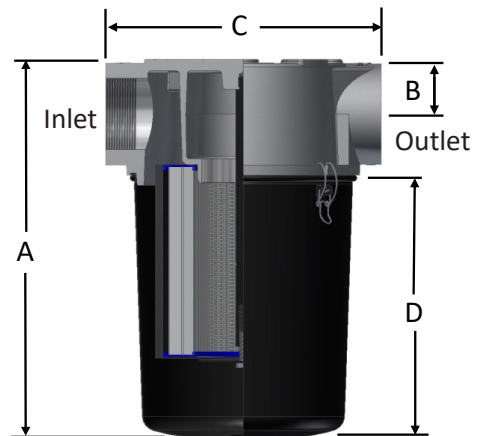
Technical Specifications

- Vacuum Rating: medium vacuum service*
- Temp (continuous): min -26°C (-15°F) max 104°C (220°F)
- Filter change out differential: 37-50 mbar over initial ΔP
- Polyester: 99%+ removal efficiency standard to 5 micron
- Paper: 99%+ removal efficiency standard to 2 micron

Options



- Swing bolts for heavy duty environments
- Drain ports
- Extended capacity (select models)
- Various nonstandard finishes
- Reverse pulse configuration
- See-through bucket (select models)
- Taps for gauges and mounting brackets



Inlet/Outlet Size	Outlet Type	Assembly m ³ /hr Rating	Assembly Part Number		Dimensions - mm				Suggested Service ht. mm	Approx. Weight (kg)	Replacement Element Part No.		Element m ³ /hr Rating
			Polyester	Paper	A	B	C	D			Polyester	Paper	
¾"	BSPP	43	CT-8451-076C	CT-8450-076C	204	25	127	156	140	1.6	8451	8450	68
1"	BSPP	68	CT-897-101C	CT-896-101C	333	37	178	257	228	5.4	897	896	136
1 ¼"	BSPP	102	CT-897-126C	CT-896-126C	333	37	178	257	228	5.2	897	896	136
1 ½"	BSPP	136	CT-897-151C	CT-896-151C	335	39	178	257	228	5.1	897	896	136
2"	BSPP	298	CT-851-201C	CT-850-201C	324	50	229	228	228	7.2	851	850	493
2 ½"	BSPP	357	CT-851-251C	CT-850-251C	324	50	229	228	228	6.8	851	850	493
3"	BSPP	510	CT-235P-301C	CT-234P-301C	473	69	343	328	228	14	235P™	234P™	968
4"	BSPP	884	CT-235P-401C	CT-234P-401C	473	69	343	328	228	12	235P™	234P™	968
6"	BSPP	1870	CT-275P-601C	CT-274P-601C	462	99	483	249	254	20	275P™	274P™	1869

Note: CT 2" & 2 ½" models: element seals on the base of the housing.

*See Vacuum Filter Technical Data for vacuum service data and sizing guidelines.

Rev: M2402C2

Inline See-Through Vacuum Filters

ST Series 1" - 4"

Overview

Solberg's ST Series is designed to offer exceptional performance across a broad range of vacuum applications. The transparent housing offers users the ability to inspect filter elements without disassembling the unit. Ideal for rough-medium vacuum service, this compact design offers a smaller service footprint, allowing for easy access and quick maintenance in tight spaces. Multiple filter element media options offer superior protection and longevity for the vacuum system.

Features

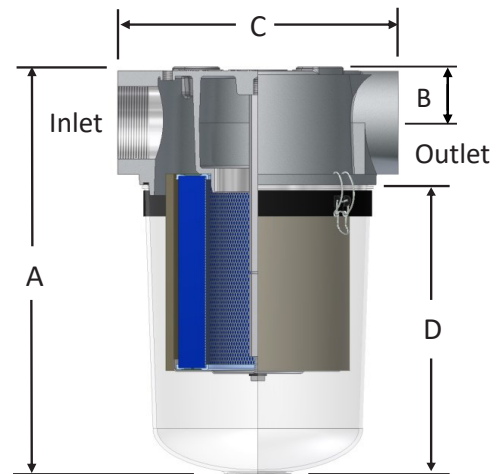
- Easy maintenance due to see-through bucket
- Compact design for space restrictions; min. service area
- Inlet above element for extended element life & maintenance intervals
- Corrosive resistant cast aluminum top with machined connections and integrated baffle design
- T-style design minimizes piping requirements
- Shatter-resistant polycarbonate drop down bucket

Technical Specifications

- Vacuum Rating: medium vacuum service*
- Temp (continuous): min -26°C (-15°F) max 104°C (220°F)
- Filter change out differential: 37-50 mbar over initial ΔP
- Polyester: 99%+ removal efficiency standard to 5 micron
- Paper: 99%+ removal efficiency standard to 2 micron

Options

- Swing bolts for heavy duty environments
- Drain ports
- Extended capacity (select models)
- Reverse pulse configuration
- Taps for gauges and mounting brackets



Inlet/Outlet		Assembly m ³ /hr Rating	Assembly Part Number		Dimensions - mm				Suggested Service ht. mm	Approx. Weight (kg)	Replacement Element Part No.		Element m ³ /hr Rating
Size	Type		Polyester	Paper	A	B	C	D			Polyester	Paper	
¾"	BSPP	43	ST-8451-076C	ST-8450-076C	213	25	127	165	140	1.4	8451	8450	68
1"	BSPP	68	ST-897-101C	ST-896-101C	340	37	178	264	228	5.0	897	896	136
1 ¼"	BSPP	102	ST-897-126C	ST-896-126C	340	37	178	264	228	4.7	897	896	136
1 ½"	BSPP	136	ST-897-151C	ST-896-151C	342	39	178	264	228	4.6	897	896	136
2"	BSPP	298	ST-851/1-201C	ST-850/1-201C	412	50	229	315	228	7.2	851/1	850/1	493
2 ½"	BSPP	357	ST-851/1-251C	ST-850/1-251C	412	50	229	315	228	6.8	851/1	850/1	493
3"	BSPP	510	ST-235P-301C	ST-234P-301C	501	69	343	357	228	13	235P™	234P™	968
4"	BSPP	884	ST-235P-401C	ST-234P-401C	501	69	343	357	228	11	235P™	234P™	968

*See Vacuum Filter Technical Data for vacuum service data and sizing guidelines.

Rev: M2402C2

For more information:

WEB: FLTR.com.au PHONE: (+61) 1300 62 4020 EMAIL: info@FLTR.com.au SKYPE: Purple.Engineering