

Exposed Inlet Filters

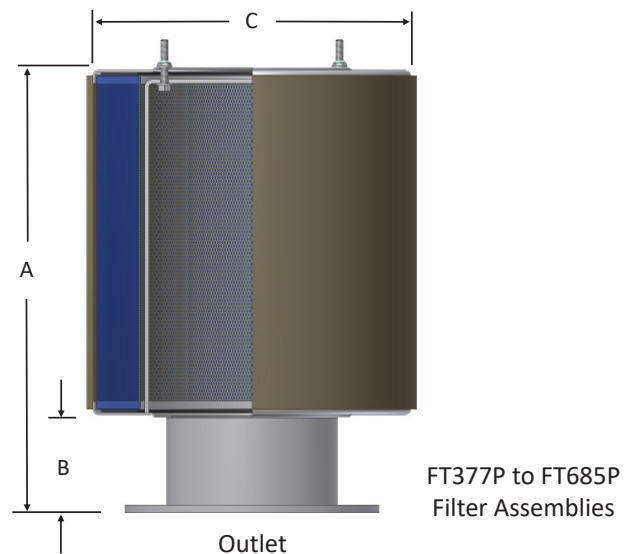
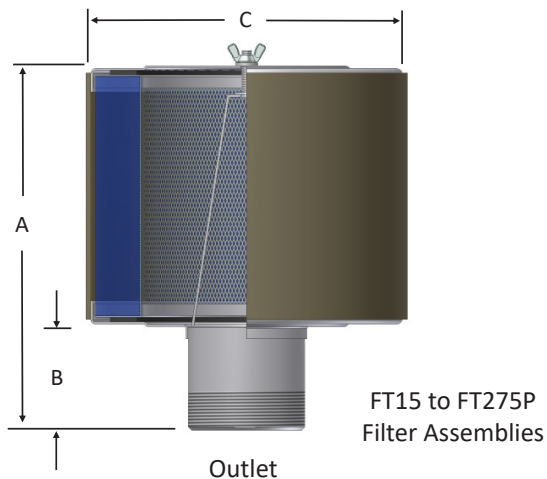
FT Series 1/2" - 6", DN80 - DN300

Features

- Exposed element for optimal air flow & low restriction
- Heavy gauge base with low pressure drop outlet pipe and center bracket design
- Corrosive resistant gray powder coat carbon steel

Technical Specifications

- Temp (continuous): min -26°C (-15°F) max 104°C (220°F)
- Filter change out differential: 37-50 mbar over initial ΔP
- Pressure drop graphs available upon request
- Polyester: 99%+ removal efficiency standard to 5 micron
- Paper: 99%+ removal efficiency standard to 2 micron



Rev: EU2402C2

For more information:

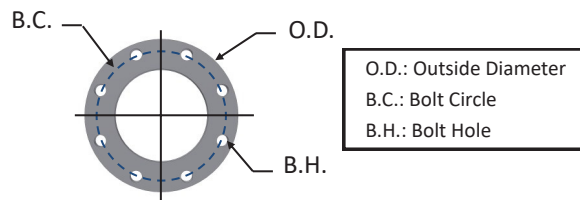
WEB: FLTR.com.au PHONE: (+61) 1300 62 4020 EMAIL: info@FLTR.com.au

Outlet		Assembly m ³ /hr Rating	Assembly Part Number		Dimensions - mm			Suggested Service ht. mm	Approx. Weight (kg)	Replacement Element Part No.		Element m ³ /hr Rating
Size	Type		Polyester	Paper	A	B	C			Polyester	Paper	
1/2"	MPT	17	FT-15-050	FT-14-050	85	23	117	59	0.54	15™	14™	60
3/4"	MPT	43	FT-15-075	FT-14-075	93	32	117	59	0.59	15™	14™	60
1"	MPT	60	FT-15-100	FT-14-100	93	32	117	59	0.63	15™	14™	60
1"	MPT	94	FT-19P-100	FT-18P-100	157	32	124	121	0.81	19P®	18P™	170
1 1/4"	BSPT	119	FT-19P-126	FT-18P-126	169	44	124	121	0.81	19P®	18P™	170
1 1/2"	BSPT	145	FT-19P-151	FT-18P-151	169	44	117	121	0.90	19P®	18P™	170
2"	BSPT	230	FT-31P-201	FT-30P-201	184	57	152	121	1.35	31P™	30P™	332
2"	BSPT	230	FT-231P-201	FT-230P-201	301	57	152	241	3	231P™	230P™	510
2 1/2"	BSPT	332	FT-31P-251	FT-30P-251	191	64	152	121	2	31P™	30P™	332
2 1/2"	BSPT	332	FT-231P-251	FT-230P-251	308	64	152	241	3	231P™	230P™	510
3"	BSPT	510	FT-231P-301	FT-230P-301	320	76	152	241	4	231P™	230P™	510
3"	BSPT	510	FT-235P-301	FT-234P-301	325	76	206	241	6	235P™	234P™	970
3"	BSPT	510	FT-275P-301	FT-274P-301	330	76	305	244	10	275P™	274P™	1870
4"	BSPT	885	FT-235P-401	FT-234P-401	348	102	206	241	8	235P™	234P™	970
4"	BSPT	885	FT-275P-401	FT-274P-401	356	102	305	244	11	275P™	274P™	1870
5"	BSPT	1360	FT-275P-501	FT-274P-501	356	102	305	244	11	275P™	274P™	1870
6"	BSPT	1870	FT-275P-601	FT-274P-601	381	127	305	244	12	275P™	274P™	1870

Note: MPT threaded housings are interchangeable with BSPT up to 1".

Flange Outlet	Assembly m ³ /hr Rating	Assembly Part Number		Dimensions - mm			Suggested Service ht. mm	Approx. Weight (kg)	Replacement Element Part No.		Element m ³ /hr Rating
		Polyester	Paper	A	B	C			Polyester	Paper	
DN80	510	FT-235P-DN80	FT-234P-DN80	330	76	206	241	6	235P™	234P™	970
DN80	510	FT-275P-DN80	FT-274P-DN80	330	76	305	244	10	275P™	274P™	1870
DN100	885	FT-235P-DN100	FT-234P-DN100	349	102	220	241	7	235P™	234P™	970
DN100	885	FT-275P-DN100	FT-274P-DN100	356	102	305	244	11	275P™	274P™	1870
DN125	1360	FT-275P-DN125	FT-274P-DN125	356	102	305	244	13	275P™	274P™	1870
DN150	1870	FT-275P-DN150	FT-274P-DN150	381	137	305	244	14	275P™	274P™	1870
DN200	3060	FT-377P-DN200	FT-376P-DN200	584	152	381	368	29	377P™	376P™	3105
DN200	3060	FT-385P-DN200	FT-384P-DN200	563	162	518	368	32	385P™	384P™	5605
DN250	5610	FT-385P-DN250	FT-384P-DN250	563	162	518	368	36	385P™	384P™	5610
DN250	5610	FT-685P-DN250	FT-384P(2)-DN250	944	162	518	724	43	685P™	384P™(2)	11220
DN300	7990	FT-485P-DN300	FT-484P-DN300	767	162	518	546	41	485P™	484P™	8000
DN300	7990	FT-685P-DN300	FT-384P(2)-DN300	944	162	518	724	45	685P™	384P™(2)	11220

PN10 Pattern Flange	Dimensions - mm			No. of Holes	Flange Thickness mm
	O.D.	B.C.	B.H.		
DN80	200	160	18	8	20
DN100	220	180	18	8	22
DN125	250	210	18	8	22
DN150	285	240	22	8	24
DN200	340	295	22	8	24
DN250	395	350	22	12	26
DN300	445	400	22	12	26



See Filter Assembly Technical Data for sizing guidelines.

Rev: EU2402C2