

# Compact Vapour Condensers

## JST / JCT Series 2" - 6"

### Overview

JST & JCT Series vapour condensers are designed to protect equipment from harmful vapours and liquids that can break down pump oils and harm a pump's inner workings. Vapour removal is accomplished through transitioning a substance from a gaseous state to a liquid or solid state and collecting any condensed material that accumulates.

### Features

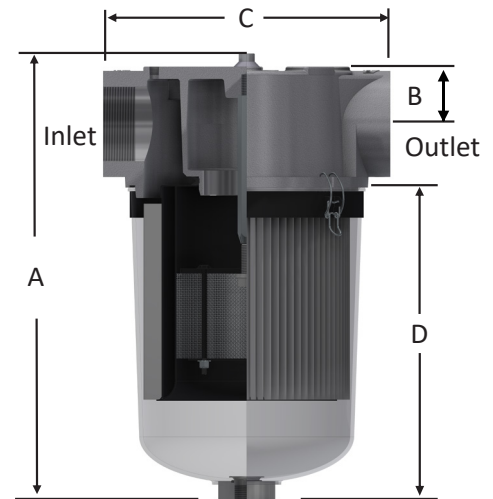
- Removable heat exchanger fin pack for ease of cleaning and long lasting optimum performance
- Coolant flask system
- Stainless steel demister pad
- Compact housing for minimal footprint
- Removable bottom for full accessibility
- Coolant inlet and outlet ports
- JST Series: Durable see-through bucket made from shatter resistant polycarbonate
- JCT Series: Corrosive resistant carbon steel bucket



### Options



- ATEX available for JCT versions only
- Additional ports
- Vacuum gauge
- Support frame
- Extended capacity (select models)
- Taps for gauges and mounting brackets



BSP Inlet & Outlet	Drain Port Size	Assembly Part Number	Reference Dimensions - mm				Suggested Service ht. mm
			A	B	C	D	
2"	1"	JST-C2048-201C	446	50	229	332	254
2 1/2"	1/2"	JST-C2048-251C	446	50	229	332	254
3"	1"	JST-C2081-301C	539	69	343	376	254
4"	1"	JST-C2081-401C	539	69	343	376	254
2"	1"	JCT-C2048-201C	523	50	229	409	254
2 1/2"	1"	JCT-C2048-251C	523	50	229	409	254
3"	1"	JCT-C2081-301C	506	69	343	344	254
4"	1"	JCT-C2081-401C	506	69	343	344	254
6"	1"	JCT-C3226-601C	757	99	483	527	356

Contact Solberg for additional sizing information or about flow rates for your specific application.

Rev: M202402C2