

Multistage Vapour Condensers

JRS Series DN50 - DN200

Overview

JRS Series vacuum filter systems are designed to protect equipment from harmful vapours and liquids that can break down pump oils and destroy a pump's inner workings. Vapour removal is accomplished through transitioning a substance from a gaseous state to a liquid or solid state and collecting any condensed material that accumulates.

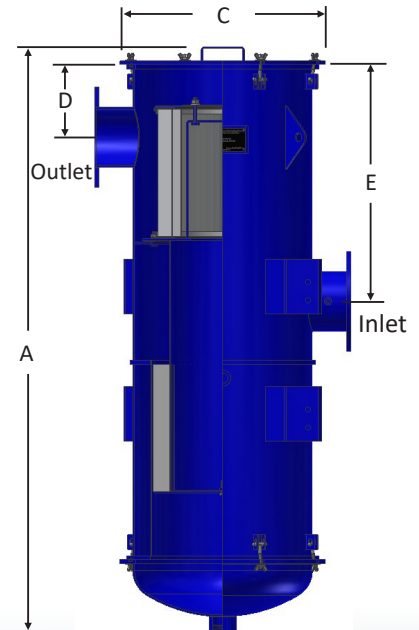
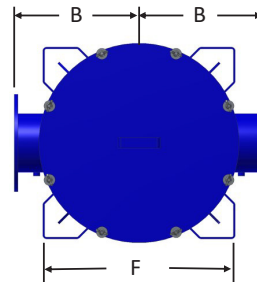
Features

- Removable heat exchanger fin pack for ease of cleaning and long lasting optimum performance
- Coolant flask system
- Corrosive resistant blue powder coat carbon steel
- Coolant inlet and outlet ports
- 2" BSPP drain port

Options



- ASME, PED rated vessels
- Stainless steel construction
- Drain systems CE compliant
- Ports, gauges, leg supports
- Davit arm
- Demister
- For removable or unremovable bottom, please contact Solberg



Flange Inlet/Outlet	Reference Only Assembly Part Number	Reference Only Dimensions - mm						Suggested Service ht. mm	Reference Only Element Part No.
		A	B	C	D	E	F		
DN50	JRS-GMAC235-DN50	1205	254	355	191	470	306	254	GMAC235
DN80	JRS-GMAC245-DN80	1291	299	470	191	470	406	254	GMAC245
DN100	JRS-GMAC275-DN100	1461	300	470	200	625	542	254	GMAC275
DN125	JRS-GMAC377-DN125	1622	350	540	200	800	615	381	GMAC377
DN150	JRS-GMAC385-DN150	1994	508	838	318	800	760	381	GMAC385
DN200	JRS-GMAC485-DN200	2042	425	640	200	1050	688	559	GMAC485

Contact factory for application details.

Rev: M202402C2