

# ATEX Vacuum Filters



## XCSL Series 3/8" - 2" BSPP\*

### Explosion Protection: ATEX Directive

Explosions can occur within applications such as pharmaceutical, chemical, metal, food, plastics, coal and wood working industries. Solberg was one of the first filtration companies qualified to service these industries in compliance with the ATEX directive 2014/34/EU. This European Union code seeks to minimize the possibility of explosions related to equipment used in potentially explosive gaseous or dusty environments.

### Features

- Seamless drawn housings designed for low pressure drop
- O-ring seal
- Nickel plated carbon steel construction
- Stainless steel torsion clips for durability
- ATEX nameplate standard

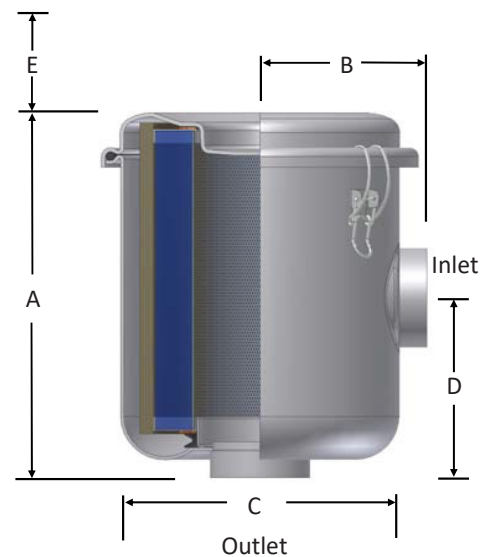
### Technical Specifications

- Vacuum Rating: Medium vacuum service\*\*
- Temp (continuous): min -26°C (-15°F) max 104°C (220°F)
- Filter change out differential: 37-50 mbar over initial ΔP
- Polyester: 99%+ removal efficiency standard to 5 micron
- Paper: 99%+ removal efficiency standard to 2 micron

\*\*See Vacuum Filter Technical Data for vacuum service data.

### Options

- Vacuum gauge
- Higher holding capacity configurations available (select models)
- Multiple finishes available
- Support brackets
- Alternative top-to-canister fastening system for low pressure or pulsating systems
- Stainless steel (select models)



Inlet/ Outlet Size BSPP	Assembly m <sup>3</sup> /h Rating	Assembly Part Number		Dimensions - mm				Suggested Service HT. E	Approx. Weight kg	Replacement Element Part No.		Element m <sup>3</sup> /h Rating
		Polyester	Paper	A	B	C	D			Polyester	Paper	
3/4"	43	XCSL-X843-076HC	XCSL-X842-076HC	103	76	146	64	83	1.4	X843	X842	94
1 1/4"	102	XCSL-X849-126HC	XCSL-X848-126HC	170	105	187	114	133	2.3	X849	X848	196
2"	298	XPSL-X851/1-201HC	XPSL-X850/1-201HC	260	114	222	127	235	6.8	X851	X850	493

\*Stocked sizes listed above. Contact factory for additional sizes.

Rev: XCSL-EU2005K