



## EC SERIES

Electrical differential indicators with integrated connector

EC/ECX..D



EC/ECX..S



EC/ECX..J



PRESSURE: Max operating up to 420 bar

CONNECTION: M20x1,5

MATERIALS: Body: Brass  
Cover and connector: PA66 + G.F.  
Seal: HNBR standard

SETTINGS  $\Delta P$ : 2,7 bar  $\pm$  10%  
5,0 bar  $\pm$  10%  
8,0 bar  $\pm$  10%

ELECTRICAL SPECS.: Contact configuration N.O./N.C.

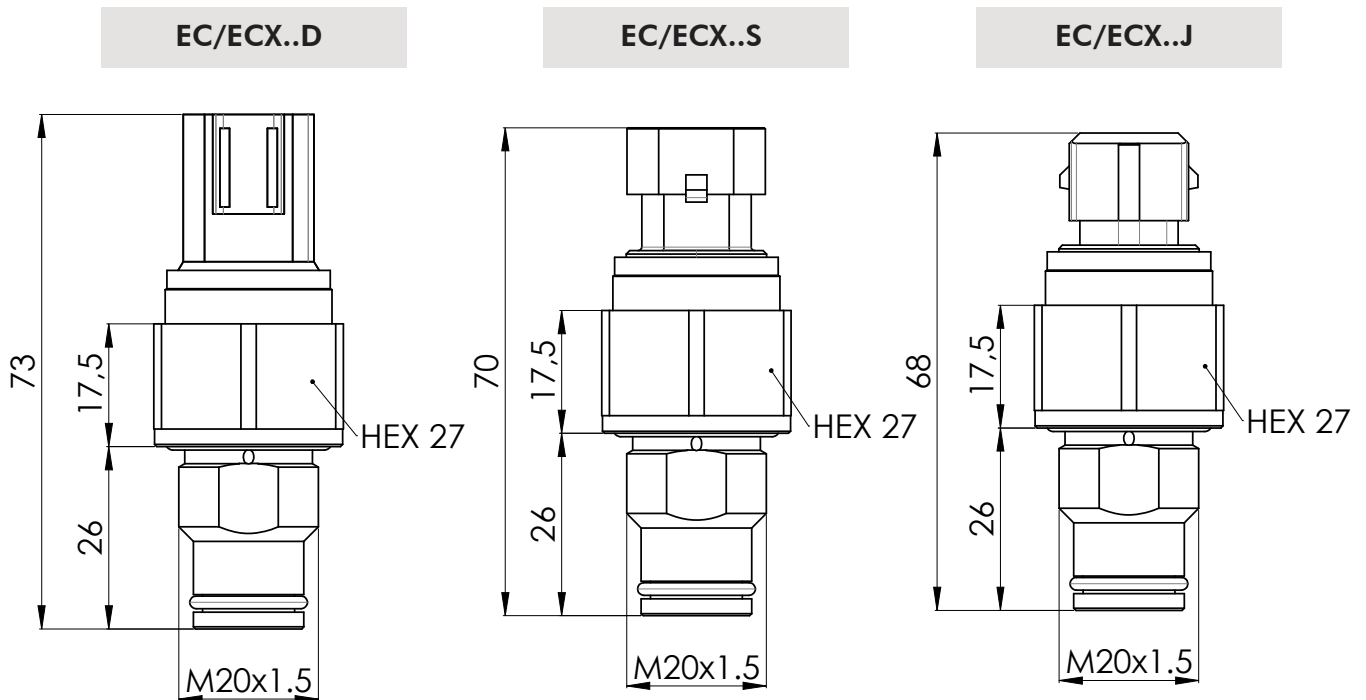
CONNECTOR TYPE: Deutsch DT04-2P  
SUPERSEAL 1.5 2 WAY  
JUNIOR POWER TIMER 2 WAY

DEGREE OF PROTECTION: IP67 according to EN60529

OPERATING TEMPERATURE: -30°C - + 80°C

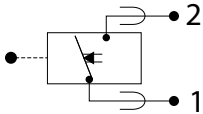
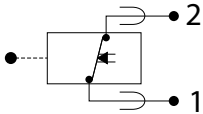
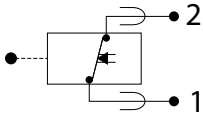
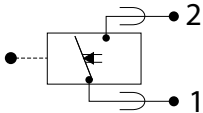
FLUID COMPATIBILITY: Full with HH-HL-HM-HV-HETG-HEES-HFA  
HFB-HFC  
(acc. to ISO 6743/4).  
For use with other fluid please contact Filtrac  
Customer Service (info@filtrac.it).

## OVERALL DIMENSIONS

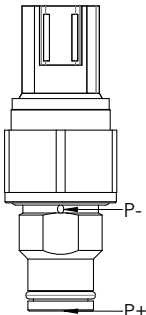


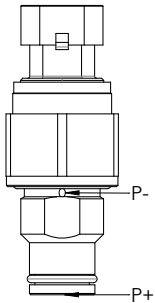
Weight: ~150g

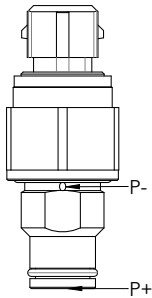
## MECHANICAL CONDITION


| ΔP CONDITION                  | ELECTRIC SYMBOL N.O.   | ELECTRIC SYMBOL N.C.  |
|-------------------------------|--|---|
| $P+ - P- < \Delta P_{set}$    |  |  |
| $P+ - P- \geq \Delta P_{set}$ |  |  |

**ORDERING INFORMATION / DETAILS**

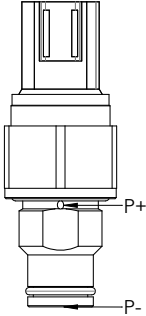
| ORDER CODE   | MODEL          | CONN        | VIEW  | SETTING | ELECTRICAL SPECS.  |
|--------------|----------------|-------------|---|---------|--|
| 04.006.00444 | <b>EC02DA0</b> | <b>N.O.</b> |  | 2,7 bar | <ul style="list-style-type: none"> <li>• Max switching voltage: 48VDC</li> <li>• Max current: 5A resistive 2A inductive</li> <li>• Protection: IP67 EN60529</li> </ul> |
| 04.006.00446 | <b>EC02DC0</b> | <b>N.C.</b> |   | 5,0 bar |  |
| 04.006.00447 | <b>EC05DA0</b> | <b>N.O.</b> |   | 8,0 bar |  |
| 04.006.00449 | <b>EC05DC0</b> | <b>N.C.</b> |   |         |  |
| 04.006.00450 | <b>EC08DA0</b> | <b>N.O.</b> |   |         |  |
| 04.006.00452 | <b>EC08DC0</b> | <b>N.C.</b> |   |         |  |

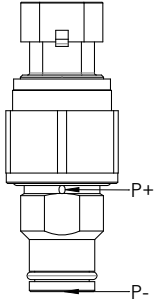
| ORDER CODE   | MODEL          | CONN        | VIEW  | SETTING | ELECTRICAL SPECS.  |
|--------------|----------------|-------------|---|---------|--|
| 04.006.00435 | <b>EC02SA0</b> | <b>N.O.</b> |  | 2,7 bar | <ul style="list-style-type: none"> <li>• Max switching voltage: 48VDC</li> <li>• Max current: 5A resistive 2A inductive</li> <li>• Protection: IP67 EN60529</li> </ul> |
| 04.006.00437 | <b>EC02SC0</b> | <b>N.C.</b> |   | 5,0 bar |  |
| 04.006.00438 | <b>EC05SA0</b> | <b>N.O.</b> |   | 8,0 bar |  |
| 04.006.00440 | <b>EC05SC0</b> | <b>N.C.</b> |   |         |  |
| 04.006.00441 | <b>EC08SA0</b> | <b>N.O.</b> |   |         |  |
| 04.006.00443 | <b>EC08SC0</b> | <b>N.C.</b> |   |         |  |

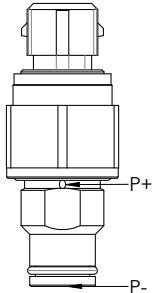
| ORDER CODE   | MODEL          | CONN        | VIEW  | SETTING | ELECTRICAL SPECS.  |
|--------------|----------------|-------------|---|---------|--|
| 04.006.00453 | <b>EC02JA0</b> | <b>N.O.</b> |  | 2,7 bar | <ul style="list-style-type: none"> <li>• Max switching voltage: 48VDC</li> <li>• Max current: 5A resistive 2A inductive</li> <li>• Protection: IP67 EN60529</li> </ul> |
| 04.006.00455 | <b>EC02JC0</b> | <b>N.C.</b> |   | 5,0 bar |  |
| 04.006.00456 | <b>EC05JA0</b> | <b>N.O.</b> |   | 8,0 bar |  |
| 04.006.00458 | <b>EC05JC0</b> | <b>N.C.</b> |   |         |  |
| 04.006.00459 | <b>EC08JA0</b> | <b>N.O.</b> |   |         |  |
| 04.006.00461 | <b>EC08JC0</b> | <b>N.C.</b> |   |         |  |


 50 / 90 Nm - See hydraulic filter catalogues

## ORDERING INFORMATION / DETAILS

| ORDER CODE   | MODEL          | CONN        | VIEW  | SETTING | ELECTRICAL SPECS.  |
|--------------|----------------|-------------|---|---------|--|
| 04.006.00500 | <b>ECX2DA0</b> | <b>N.O.</b> |  | 2,7 bar | <ul style="list-style-type: none"> <li>• Max switching voltage: 48VDC</li> <li>• Max current: 5A resistive 2A inductive</li> <li>• Protection: IP67 EN60529</li> </ul> |
| 04.006.00502 | <b>ECX2DC0</b> | <b>N.C.</b> |   | 5,0 bar |  |
| 04.006.00503 | <b>ECX5DA0</b> | <b>N.O.</b> |   | 8,0 bar |  |
| 04.006.00505 | <b>ECX5DC0</b> | <b>N.C.</b> |   |         |  |
| 04.006.00506 | <b>ECX8DA0</b> | <b>N.O.</b> |   |         |  |
| 04.006.00508 | <b>ECX8DC0</b> | <b>N.C.</b> |   |         |  |

| ORDER CODE   | MODEL          | CONN        | VIEW  | SETTING | ELECTRICAL SPECS.  |
|--------------|----------------|-------------|---|---------|--|
| 04.006.00491 | <b>ECX2SA0</b> | <b>N.O.</b> |  | 2,7 bar | <ul style="list-style-type: none"> <li>• Max switching voltage: 48VDC</li> <li>• Max current: 5A resistive 2A inductive</li> <li>• Protection: IP67 EN60529</li> </ul> |
| 04.006.00493 | <b>ECX2SC0</b> | <b>N.C.</b> |   | 5,0 bar |  |
| 04.006.00494 | <b>ECX5SA0</b> | <b>N.O.</b> |   | 8,0 bar |  |
| 04.006.00496 | <b>ECX5SC0</b> | <b>N.C.</b> |   |         |  |
| 04.006.00497 | <b>ECX8SA0</b> | <b>N.O.</b> |   |         |  |
| 04.006.00499 | <b>ECX8SC0</b> | <b>N.C.</b> |   |         |  |

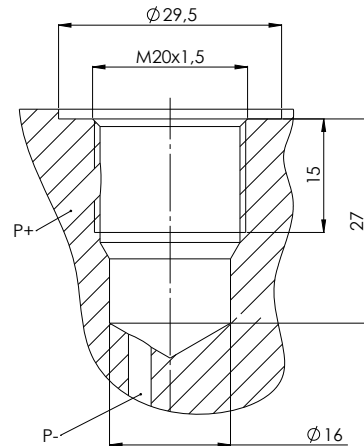
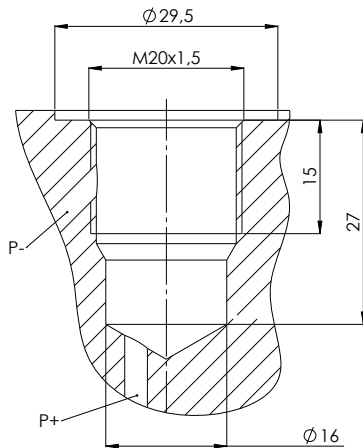
| ORDER CODE   | MODEL          | CONN        | VIEW  | SETTING | ELECTRICAL SPECS.  |
|--------------|----------------|-------------|---|---------|--|
| 04.006.00509 | <b>ECX2JA0</b> | <b>N.O.</b> |  | 2,7 bar | <ul style="list-style-type: none"> <li>• Max switching voltage: 48VDC</li> <li>• Max current: 5A resistive 2A inductive</li> <li>• Protection: IP67 EN60529</li> </ul> |
| 04.006.00511 | <b>ECX2JC0</b> | <b>N.C.</b> |   | 5,0 bar |  |
| 04.006.00512 | <b>ECX5JA0</b> | <b>N.O.</b> |   | 8,0 bar |  |
| 04.006.00514 | <b>ECX5JC0</b> | <b>N.C.</b> |   |         |  |
| 04.006.00515 | <b>ECX8JA0</b> | <b>N.O.</b> |   |         |  |
| 04.006.00517 | <b>ECX8JC0</b> | <b>N.C.</b> |   |         |  |

 50 / 90 Nm - See hydraulic filter catalogues

## INDICATOR SEAT

EC...

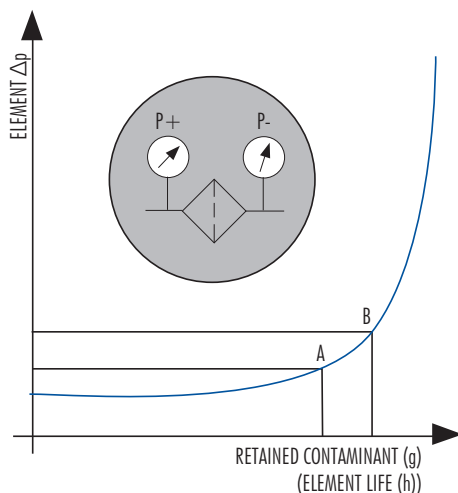
ECX...



Dimensions and tolerances available on request

## USER INFORMATION

The Differential indicator measures the  $\Delta p$  between upstream and downstream of the filter element, i.e. it is the ideal indicator for the in line applications.



The **Pressure Drop** ( $\Delta p$  = differential pressure) through the filter increases during the system operation due to the contaminant retained by the filter element.

The filter element must be replaced when the indicator shows an alarm and before the  $\Delta p$  reaches the by-pass set value (i.e. the set value A of the clogging indicator must always be lower than the set value B of the by-pass value).

**WARNING:** in **cold start** conditions a false alarm can be caused by higher oil viscosity due to low temperature; the indicator alarm must be considered at normal working temperature only.

## OPTIONAL VERSION

Subject to MOQ our differential indicators type EC... can be supplied in special versions like ATEX or with different connectors.

Contact our Customer Service for further information.

For more information:

WEB: FLTR.com.au PHONE: (+61) 1300 62 4020 EMAIL: info@FLTR.com.au

## APPLICATION

The following table shows the type of indicator available according to the filter used.

| APPLICATION             | FILTER CODE     | INDICATOR MODEL |        |        |        |        |        |
|-------------------------|-----------------|-----------------|--------|--------|--------|--------|--------|
|                         |                 | EC02..          | EC05.. | EC08.. | ECX2.. | ECX5.. | ECX8.. |
| IN LINE HIGH PRESSURE   | <b>F100</b>     | X               | X      | X      |        |        |        |
|                         | <b>F280</b>     |                 | X      | X      |        |        |        |
|                         | <b>F420</b>     |                 | X      | X      |        |        |        |
|                         | <b>FD3</b>      |                 |        |        |        | X      | X      |
|                         | <b>FDM</b>      |                 |        |        |        | X      | X      |
|                         | <b>FH100</b>    | X               | X      | X      |        |        |        |
|                         | <b>FH250</b>    |                 | X      | X      |        |        |        |
|                         | <b>FH320</b>    |                 | X      | X      |        |        |        |
|                         | <b>FH420-D1</b> |                 | X      | X      |        |        |        |
|                         | <b>FML320</b>   |                 | X      | X      |        |        |        |
| IN LINE MEDIUM PRESSURE | <b>FLR</b>      |                 |        |        | X      | X      | X      |
|                         | <b>FLRD</b>     |                 |        |        | X      | X      | X      |
|                         | <b>F040</b>     | X               | X      | X      |        |        |        |
| RETURN                  | <b>FCR7F2x</b>  | X               |        |        |        |        |        |
|                         | <b>FCR7F3x</b>  | X               |        |        |        |        |        |
| SPIN-ON                 | <b>FAH-A14x</b> | X               |        |        |        |        |        |
|                         | <b>FA5</b>      |                 |        |        | X      |        |        |
|                         | <b>FA4</b>      |                 |        |        | X      |        |        |