



## EW SERIES

Electrical differential indicators with cable and connector with and without thermostatic switch set at 30°C



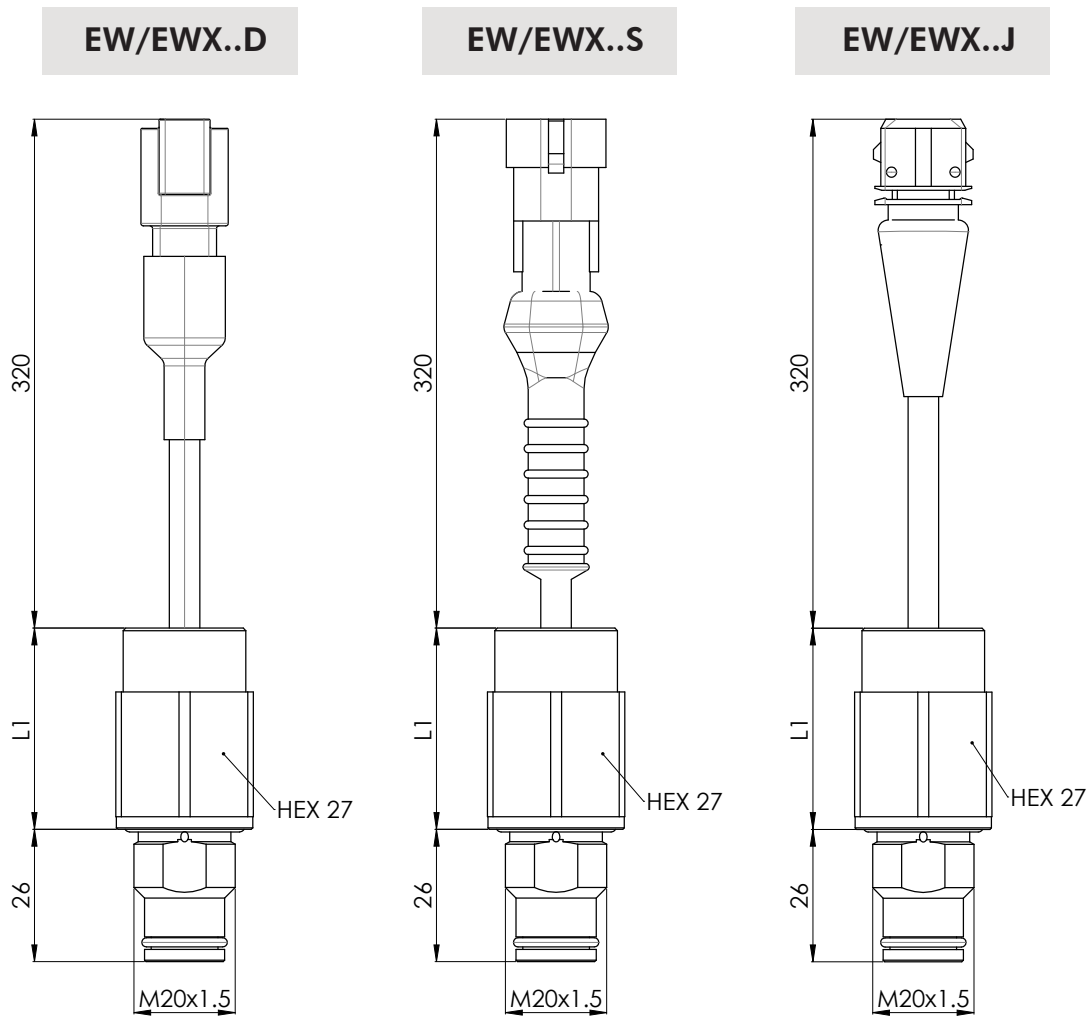
EW  
EWX..D

EW  
EWX..S

EW  
EWX..J

PRESSURE:	Max operating up to 420 bar
CONNECTION:	M20x1,5
MATERIALS:	Body: Brass Cover and connector: PA66 + G.F. Seal: HNBR standard
SETTINGS $\Delta P$ :	2,7 bar $\pm$ 10% 5,0 bar $\pm$ 10% 8,0 bar $\pm$ 10%
ELECTRICAL SPECS.:	Contact configuration N.O./N.C.
CONNECTOR TYPE:	Deutsch DT04-2P SUPERSEAL 1.5 2 WAY JUNIOR POWER TIMER 2 WAY
DEGREE OF PROTECTION:	IP67 according to EN60529
OPERATING TEMPERATURE:	-30°C - + 80°C
FLUID COMPATIBILITY:	Full with HH-HL-HM-HV-HETG-HEES-HFA HFB-HFC (acc. to ISO 6743/4). For use with other fluid please contact Filtrec Customer Service (info@filtrec.it).

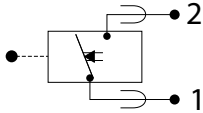
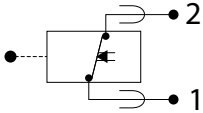
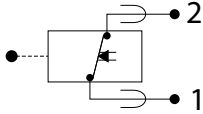
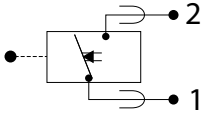
## OVERALL DIMENSIONS



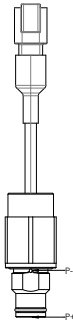
**L1: 49 WITH THERMOSTAT  
40 WITHOUT THERMOSTAT**

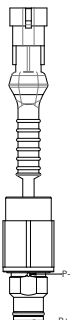
Weight: ~240g

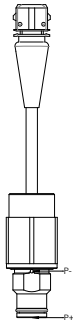
## MECHANICAL CONDITION


ΔP CONDITION	ELECTRIC SYMBOL N.O.	ELECTRIC SYMBOL N.C.
$P+ - P- < \Delta P_{set}$		
$P+ - P- \geq \Delta P_{set}$		

**ORDERING INFORMATION / DETAILS**

ORDER CODE	MODEL	CONN	VIEW	SETTING	ELECTRICAL SPECS.
04.006.00411	<b>EW02DA0</b>	<b>N.O.</b>	<b>Deutsch DT04-2P</b>	2,7 bar	<ul style="list-style-type: none"> <li>• Max switching voltage: 48VDC</li> <li>• Max current: 5A resistive 2A inductive</li> <li>• Protection: IP67 EN60529</li> </ul>
04.006.00412	<b>EW02DAT</b>				
04.006.00413	<b>EW02DC0</b>	<b>N.C.</b>		5,0 bar	
04.006.00564	<b>EW05DA0</b>				
04.006.00416	<b>EW05DAT</b>				
04.006.00417	<b>EW05DC0</b>	<b>N.C.</b>		8,0 bar	
04.006.00419	<b>EW08DA0</b>				
04.006.00420	<b>EW08DAT</b>				
04.006.00421	<b>EW08DC0</b>				

ORDER CODE	MODEL	CONN	VIEW	SETTING	ELECTRICAL SPECS.
04.006.00399	<b>EW02SA0</b>	<b>N.O.</b>	<b>Superseal 1.5 2 Way</b>	2,7 bar	<ul style="list-style-type: none"> <li>• Max switching voltage: 48VDC</li> <li>• Max current: 5A resistive 2A inductive</li> <li>• Protection: IP67 EN60529</li> </ul>
04.006.00400	<b>EW02SAT</b>				
04.006.00401	<b>EW02SC0</b>	<b>N.C.</b>		5,0 bar	
04.006.00403	<b>EW05SA0</b>				
04.006.00404	<b>EW05SAT</b>				
04.006.00405	<b>EW05SC0</b>	<b>N.C.</b>		8,0 bar	
04.006.00407	<b>EW08SA0</b>				
04.006.00408	<b>EW08SAT</b>				
04.006.00409	<b>EW08SC0</b>				

ORDER CODE	MODEL	CONN	VIEW	SETTING	ELECTRICAL SPECS.
04.006.00423	<b>EW02JA0</b>	<b>N.O.</b>	<b>Junior Timer 2 Way</b>	2,7 bar	<ul style="list-style-type: none"> <li>• Max switching voltage: 48VDC</li> <li>• Max current: 5A resistive 2A inductive</li> <li>• Protection: IP67 EN60529</li> </ul>
04.006.00424	<b>EW02JAT</b>				
04.006.00425	<b>EW02JC0</b>	<b>N.C.</b>		5,0 bar	
04.006.00427	<b>EW05JA0</b>				
04.006.00428	<b>EW05JAT</b>				
04.006.00429	<b>EW05JC0</b>	<b>N.C.</b>		8,0 bar	
04.006.00431	<b>EW08JA0</b>				
04.006.00432	<b>EW08JAT</b>				
04.006.00433	<b>EW08JC0</b>				

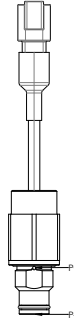
 50 / 90 Nm - See hydraulic filter catalogues

For more information:

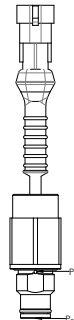
WEB: [FLTR.com.au](http://FLTR.com.au) PHONE: (+61) 1300 62 4020 EMAIL: [info@FLTR.com.au](mailto:info@FLTR.com.au)

## ORDERING INFORMATION / DETAILS

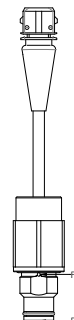
ORDER CODE	MODEL	CONN	VIEW	SETTING	ELECTRICAL SPECS.
04.006.00472	<b>EWX2DA0</b>	<b>N.O.</b>	<b>Deutsch DT04-2P</b>	2,7 bar	<ul style="list-style-type: none"> <li>• Max switching voltage: 48VDC</li> <li>• Max current: 5A resistive 2A inductive</li> <li>• Protection: IP67 EN60529</li> </ul>
04.006.00473	<b>EWX2DAT</b>				
04.006.00474	<b>EWX2DC0</b>	<b>N.C.</b>	5,0 bar		
04.006.00475	<b>EWX5DA0</b>				
04.006.00476	<b>EWX5DAT</b>	<b>N.O.</b>	8,0 bar		
04.006.00477	<b>EWX5DC0</b>				
04.006.00478	<b>EWX8DA0</b>	<b>N.O.</b>			
04.006.00479	<b>EWX8DAT</b>				
04.006.00480	<b>EWX8DC0</b>	<b>N.C.</b>			




ORDER CODE	MODEL	CONN	VIEW	SETTING	ELECTRICAL SPECS.
04.006.00463	<b>EWX2SA0</b>	<b>N.O.</b>	<b>Superseal 1.5 2 Way</b>	2,7 bar	<ul style="list-style-type: none"> <li>• Max switching voltage: 48VDC</li> <li>• Max current: 5A resistive 2A inductive</li> <li>• Protection: IP67 EN60529</li> </ul>
04.006.00464	<b>EWX2SAT</b>				
04.006.00465	<b>EWX2SC0</b>	<b>N.C.</b>	5,0 bar		
04.006.00466	<b>EWX5SA0</b>				
04.006.00467	<b>EWX5SAT</b>	<b>N.O.</b>	8,0 bar		
04.006.00468	<b>EWX5SC0</b>				
04.006.00469	<b>EWX8SA0</b>	<b>N.O.</b>			
04.006.00470	<b>EWX8SAT</b>				
04.006.00471	<b>EWX8SC0</b>	<b>N.C.</b>			



ORDER CODE	MODEL	CONN	VIEW	SETTING	ELECTRICAL SPECS.
04.006.00481	<b>EWX2JA0</b>	<b>N.O.</b>	<b>Junior Timer 2 Way</b>	2,7 bar	<ul style="list-style-type: none"> <li>• Max switching voltage: 48VDC</li> <li>• Max current: 5A resistive 2A inductive</li> <li>• Protection: IP67 EN60529</li> </ul>
04.006.00482	<b>EWX2JAT</b>				
04.006.00483	<b>EWX2JC0</b>	<b>N.C.</b>	5,0 bar		
04.006.00484	<b>EWX5JA0</b>				
04.006.00485	<b>EWX5JAT</b>	<b>N.O.</b>	8,0 bar		
04.006.00486	<b>EWX5JC0</b>				
04.006.00487	<b>EWX8JA0</b>	<b>N.O.</b>			
04.006.00488	<b>EWX8JAT</b>				
04.006.00489	<b>EWX8JC0</b>	<b>N.C.</b>			

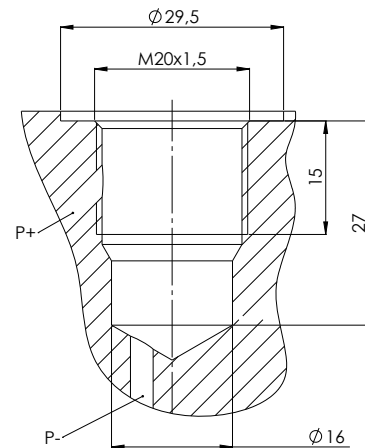
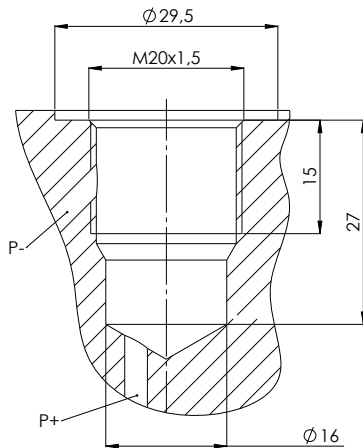


 50 / 90 Nm - See hydraulic filter catalogues

## INDICATOR SEAT

EW...

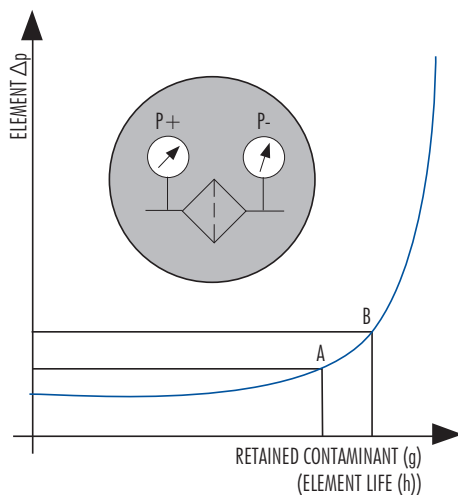
EWX...



Dimensions and tolerances available on request

## USER INFORMATION

The Differential indicator measures the  $\Delta p$  between upstream and downstream of the filter element, i.e. it is the ideal indicator for the in line applications.



The **Pressure Drop** ( $\Delta p$  = differential pressure) through the filter increases during the system operation due to the contaminant retained by the filter element.

The filter element must be replaced when the indicator shows an alarm and before the  $\Delta p$  reaches the by-pass set value (i.e. the set value A of the clogging indicator must always be lower than the set value B of the by-pass value).

**WARNING:** in **cold start** conditions a false alarm can be caused by higher oil viscosity due to low temperature; the indicator alarm must be considered at normal working temperature only.

## OPTIONAL VERSION

Subject to MOQ our differential indicators type EW... can be supplied in special versions like ATEX or with different connectors.

Contact our Customer Service for further information.

For more information:

WEB: [FLTR.com.au](http://FLTR.com.au) PHONE: (+61) 1300 62 4020 EMAIL: [info@FLTR.com.au](mailto:info@FLTR.com.au)

## APPLICATION

The following table shows the type of indicator available according to the filter used.

APPLICATION	FILTER CODE	INDICATOR MODEL					
		EW02..	EW05..	EW08..	EWX2..	EWX5..	EWX8..
IN LINE HIGH PRESSURE	<b>F100</b>	X	X	X			
	<b>F280</b>		X	X			
	<b>F420</b>		X	X			
	<b>FD3</b>					X	X
	<b>FDM</b>					X	X
	<b>FH100</b>	X	X	X			
	<b>FH250</b>		X	X			
	<b>FH320</b>		X	X			
	<b>FH420-D1</b>		X	X			
	<b>FML320</b>		X	X			
IN LINE MEDIUM PRESSURE	<b>FLR</b>				X	X	X
	<b>FLRD</b>				X	X	X
	<b>F040</b>	X	X	X			
RETURN	<b>FCR7F2x</b>	X					
	<b>FCR7F3x</b>	X					
SPIN-ON	<b>FAH-A14x</b>	X					
	<b>FA5</b>				X		
	<b>FA4</b>				X		