



FLA SERIES

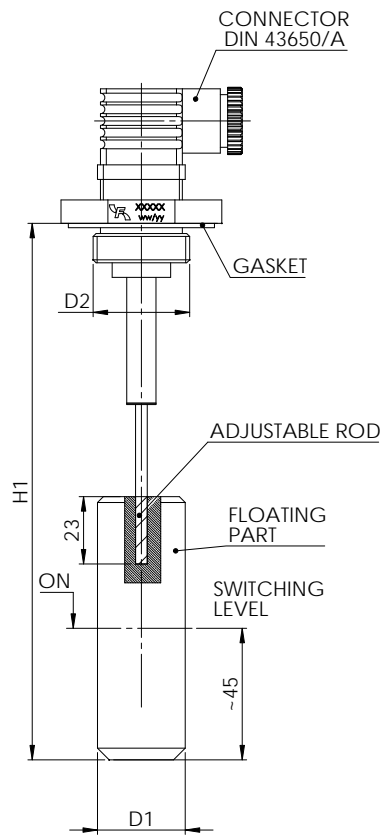
Electromagnetic level switch - spdt

The FLA is a series of electromagnetic level switches SPDT with an adjustable rod. The FLA range, directly fitted in the tank, monitors the level of the fluid. Several sizes and configurations are available to meet every tank requirement.

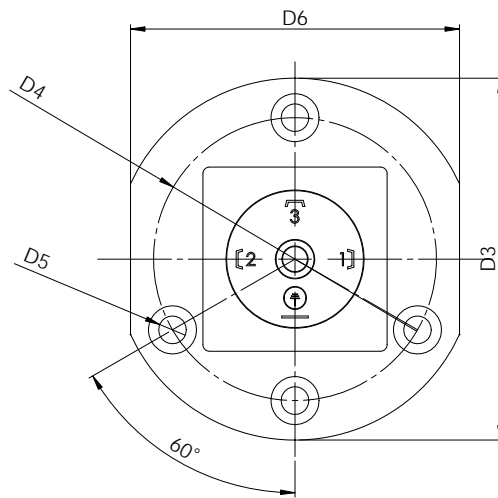


PRESSURE:	Max operating: up to 5 bar
MAX WORKING TEMPERATURE :	- 10° C + 90° C
MAX FLUID VISCOSITY	150 cSt
CONNECTIONS:	Three holes flange - 120° M4 Two holes flange - 180° M4 G1"
MATERIALS:	Rod: Stainless Steel Floating part: PA66 Housing: Anodized Aluminum Gasket: NBR
FLUID COMPATIBILITY:	Full with HH-HL-HM-HV-HETG-HEES (acc. to ISO 6743/4). For use with other fluid please contact Filtrac Customer Service (info@filtrac.it).

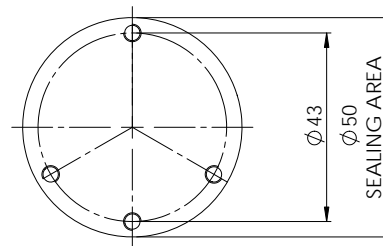
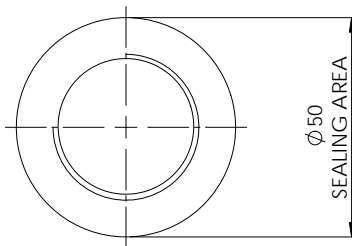
OVERALL DIMENSIONS



TANK MOUNTING PATTERN
THREADED VERSION G1"



TANK MOUNTING PATTERN
FLANGED VERSION WITH 2 OR 3 SCREW M4



NOMINAL SIZE

CODE	H1	D1	D2	D3	D4	D5	D6	WEIGHT gr.
FLA0500	500	30	G 1"	55	43	4,2	50	150
FLA1000	1000							160

ORDERING INFORMATION

1. 2.

FLA	0500
------------	-------------

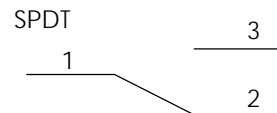
1. SERIES	FLA	
2. SIZE	0500	Rod length 500mm
	1000	Rod length 1000mm

ORDERING INFORMATION	ORDERING CODE
FLA0500	04.006.00297
FLA1000	04.006.00298

ELECTRICAL SPECIFICATIONS

ELECTRICAL DIAGRAM

- Electrical connection in accordance with DIN 43650/A
- Electrical protection in accordance with DIN 40050-IP65
- Maximum electrical load N.O./N.C. 30V AC/DC - 0,25A
- Other electrical features on request



CONNECTION PG9
CABLE Ø 6-8 (A) + (B) + (C) + (D)

CONNECTION PG11
CABLE Ø 8-10 (A) + (B) + (C)

