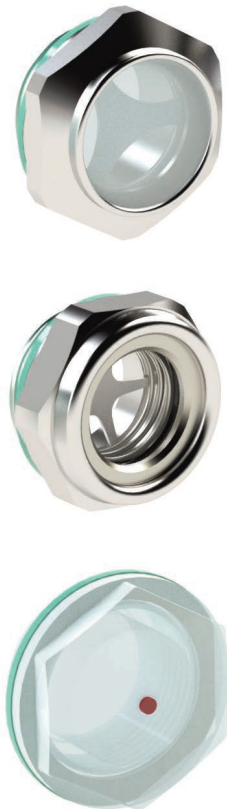




FLS SERIES

Oil sight gauges

FLS is a range of compact oil sight gauges for monitoring the fluid level in the tank. They are directly fitted on the tank side. Several configurations can be selected to meet every condition: sizes, body, and lens materials.

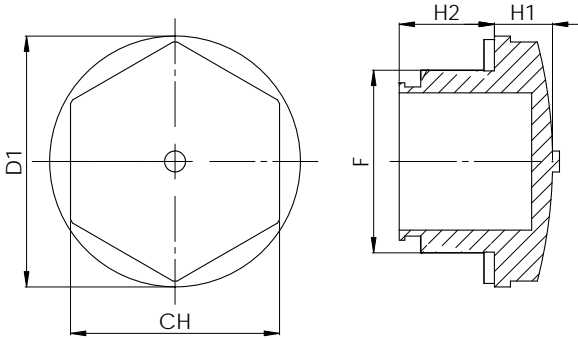


PRESSURE:	Max operating: up to 5 bar (20 bar for FLSV)
FIXING SCREWS:	Metric – tightening torque 10 Nm
MAX WORKING TEMPERATURE :	- 10° C + 100° C (+ 130° C for FLSV)
MATERIALS:	<p>for FLSP version Body: Polyamide Lens: Polyamide Seals: Flat fiber gasket</p> <p>for FLSA version Body: Aluminium alloy Lens: Polyamide Seals: Flat fiber gasket</p> <p>for FLSV version Body: Aluminium alloy Lens: Glass Seals: Flat fiber gasket</p>
FLUID COMPATIBILITY:	Full with HH-HL-HM-HV-HETG-HEES (acc. to ISO 6743/4). For use with other fluid please contact Filtrac Customer Service (info@filtrac.it).

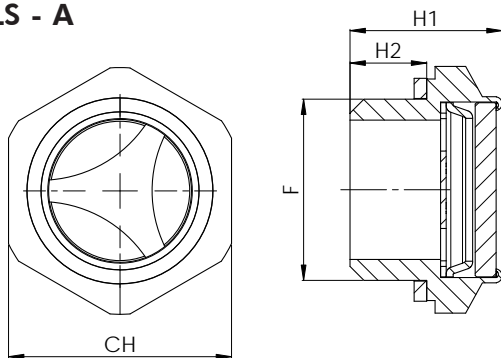
OVERALL DIMENSIONS

NOMINAL SIZE

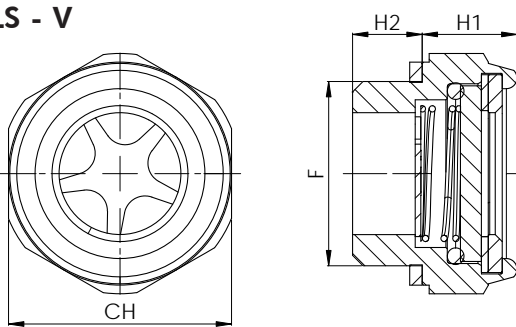
FLS - P



FLS - A



FLS - V



CODE	F	CH	D1	H1	H2	CONN. CODE	WEIGHT GR.
FLSPB1	G1/4	17	20,5	8,5	8,5	B1	2,9
FLSPB2	G3/8	18	22	7	12	B2	3,7
FLSPB3	G1/2	24	28	8	12,5	B3	6,25
FLSPB4	G3/4	30	36	9	14	B4	9
FLSPB5	G1	36	42	10	14	B5	14,9
FLSPB6	G1 1/4	42	51	10	17,5	B6	19
FLSPB7	G1 1/2	50	58	9,5	22	B7	25
FLSPB8	G2	64	74	12,2	20,5	B8	46
FLSPM14	M14X1,5	17	20	8,5	9,5	M14	2
FLSPM16	M16X1,5	18	22	7	13	M16	3
FLSPM18	M18X1,5	21	25,5	6	12,5	M18	3
FLSPM20	M20X1,5	24	28	7,5	12	M20	5
FLSPM22	M22X1,5	24	28	7,5	12	M22	5,1
FLSPM26	M26X1,5	30	36	9	13,5	M26	9,1
FLSPM27	M27X1,5	30	36	9	13,5	M27	10
FLSPM40	M40X1,5	42	51	10	17,5	M40	20
FLSAB1	G1/4	17	-	18,8	8	B1	5
FLSAB2	G3/8	22		18	9	B2	9
FLSAB3	G1/2	27		20	9	B3	15
FLSAB4	G3/4	32		22	11	B4	22,5
FLSAB5	G1	40		22	10	B5	35
FLSAB6	G1 1/4	50		27	12	B6	60
FLSAB7	G1 1/2	55		26	13	B7	80
FLSAM14	M14X1,5	17		17	8	M14	5
FLSAM16	M16X1,5	22		18	9	M16	8,5
FLSAM18	M18X1,5	22		18	9	M18	14
FLSAM20	M20X1,5	24		21	10	M20	12
FLSAM22	M22X1,5	27		20	9	M22	15
FLSAM24	M24X1,5	30		24	11	M24	22,5
FLSVB3	G1/2	30		10	9	B3	16
FLSVB4	G3/4	35		12,5	10	B4	29
FLSVB5	G1	42,5		13	10	B5	50
FLSVM20	M10X1,5	30		10	9	M20	16
FLSVM33	M33X1,5	42,5		13	10	M33	50

ORDERING INFORMATION

1. 2. 3.

FLS	P	B2
------------	----------	-----------

1. SERIES	FLS
-----------	-----

		BODY	LENS
2. SIZE	P	Polyamide	
	A	Aluminium	Polyamide
	V	Aluminium	Natural glass

3. CONNECTIONS	FOR FLSP		FOR FLSA		FOR FLSV	
	B1	G 1/4"	B1	G 1/4"	B3	G 1/2"
B2	G 3/8"	B2	G 3/8"	B4	G 3/4"	
B3	G 1/2"	B3	G 1/2"	B5	G 1"	
B4	G 3/4"	B4	G 3/4"	M20	M20X1,5	
B5	G 1"	B5	G 1"	M33	M33X1,5	
B6	G 1 1/4"	B6	G 1 1/4"			
B7	G 1 1/2"	B7	G 1 1/2"			
B8	G 2"	M14	M14x1,5			
M14	M14x1,5	M16	M16X1,5			
M16	M16X1,5	M18	M18X1,5			
M18	M18X1,5	M20	M20X1,5			
M20	M20X1,5	M22	M22X1,5			
M22	M22X1,5	M24	M24X1,5			
M26	M26X1,5					
M27	M27X1,5					
M40	M40X1,5					

ORDERING INFORMATION	ORDERING CODE
FLSPB1	04.006.00263
FLSPB2	04.006.00264
FLSPB3	04.006.00265
FLSPB4	04.006.00266
FLSPB5	04.006.00267
FLSPB6	04.006.00268
FLSPB7	04.006.00269
FLSPB8	04.006.00270
FLSPM14	04.006.00271
FLSPM16	04.006.00272
FLSPM18	04.006.00273
FLSPM20	04.006.00274
FLSPM22	04.006.00275
FLSPM26	04.006.00276
FLSPM27	04.006.00277
FLSPM40	04.006.00278
FLSAB1	04.006.00279
FLSAB2	04.006.00280
FLSAB3	04.006.00281
FLSAB4	04.006.00282
FLSAB5	04.006.00283
FLSAB6	04.006.00284
FLSAB7	04.006.00285
FLSAM14	04.006.00286
FLSAM16	04.006.00287
FLSAM18	04.006.00288
FLSAM20	04.006.00289
FLSAM22	04.006.00290
FLSAM24	04.006.00291
FLSVB3	04.006.00292
FLSVB4	04.006.00293
FLSVB5	04.006.00294
FLSVM20	04.006.00295
FLSVM33	04.006.00296